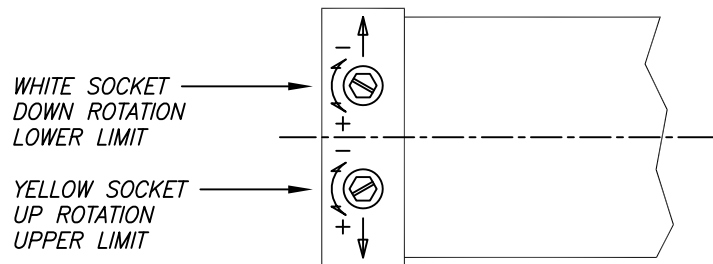


### LIMIT SWITCH ADJUSTMENTS

- 1 - NORMALLY, USER DO NOT NEED TO ADJUST THE UPPER AND LOWER LIMITS OF THE SCREEN UNLESS THE MOTOR HAS BEEN SERVICED.
- 2 - NOTE EACH FULL TURN OF THE LIMIT SWITCH SOCKET WILL CAUSE THE SCREEN TO TRAVEL APPROXIMATELY 1 INCH.
- 3 - TURN EACH SWITCH SOCKET IN THE DESIRED DIRECTION TO EFFECT THE CHANGE.
- 4 - SEND THE SCREEN UP OR DOWN TO SEE THE CHANGE
- 5 - REPEAT STEP 3 AS OFTEN TO SATISFY THE CHANGE REQUIREMENTS.



### MOTOR LIMIT SWITCHES

USE 5/32 HEX KEY  
OR 1/8 WIDE FLAT BLADE SCREWDRIVER TO TURN

#### NOTES:

- 1 - WIRING MUST CONFORM TO NATIONAL AND/OR ELECTRICAL CODES AND REGULATIONS.
- 2 - DASHED LINES SHOWN WIRING BY INSTALLERS.
- 3 - ALL WIRING MUST BE OF MINIMUM 18 AWG (OR EQUIVALENT).
- 4 - MOTOR: 550R2, 120VAC, 2.1A, 60Hz, 14RPM, 1PH.
- 5 - STANDARD CONTROL: SPDT WALL SWITCH, 15A @ 250VAC (SUPPLIED).
- 6 - OPTIONAL CONTROL: IR OR RF REMOTE CONTROL. RELAY TRIGGER CONTROL. CONSULT VUTEC DEALERS FOR DETAILS.

THE INFORMATION CONTAINED IN THIS DRAWING IS THE SOLE PROPERTY OF VUTEC CORPORATION AND REPRODUCTION IN PART OR AS A WHOLE WITHOUT THE WRITTEN PERMISSION OF VUTEC CORPORATION IS PROHIBITED

## VUTEC CORPORATION

11711 W. SAMPLE ROAD. CORAL SPRINGS, FL 33065

DRAWN BY

11/01/2017 TM

CHECKED BY

DESCRIPTION

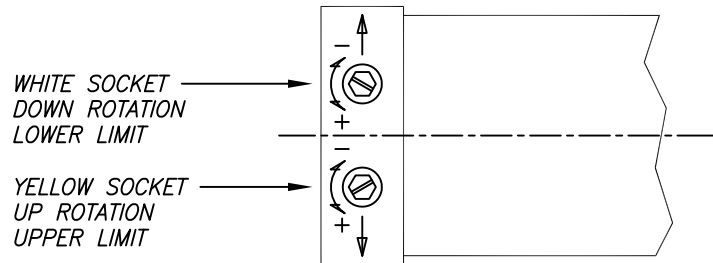
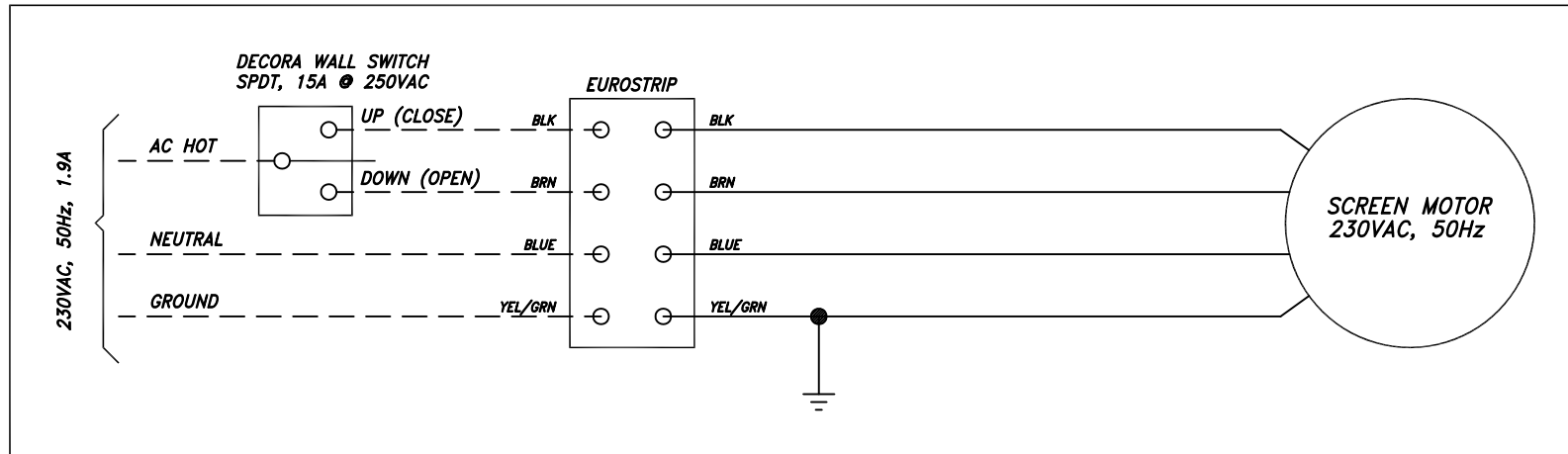
WIRING DIAGRAM - 120VAC  
LECTRIC 2-C & 4-C MDF 4.5R

DRAWING NO.

L2CMDF-INSTL\_SCH\_ALL

SCALE: 1/2

REV  
A



### LIMIT SWITCH ADJUSTMENTS

- 1 - NORMALLY, USER DO NOT NEED TO ADJUST THE UPPER AND LOWER LIMITS OF THE SCREEN UNLESS THE MOTOR HAS BEEN SERVICED.
- 2 - NOTE EACH FULL TURN OF THE LIMIT SWITCH SOCKET WILL CAUSE THE SCREEN TO TRAVEL APPROXIMATELY 1 INCH.
- 3 - TURN EACH SWITCH SOCKET IN THE DESIRED DIRECTION TO EFFECT THE CHANGE.
- 4 - SEND THE SCREEN UP OR DOWN TO SEE THE CHANGE
- 5 - REPEAT STEP 3 AS OFTEN TO SATISFY THE CHANGE REQUIREMENTS.

### MOTOR LIMIT SWITCHES

USE 5/32 HEX KEY  
OR 1/8 WIDE FLAT BLADE SCREWDRIVER TO TURN

#### NOTES:

- 1 - WIRING MUST CONFORM TO NATIONAL AND/OR ELECTRICAL CODES AND REGULATIONS.
- 2 - DASHED LINES SHOWN WIRING BY INSTALLERS.
- 3 - ALL WIRING MUST BE OF MINIMUM 18 AWG (OR EQUIVALENT).
- 4 - MOTOR: 550R1, 230VAC, 1.2A, 50Hz, 12RPM, 1PH.
- 5 - STANDARD CONTROL: SPDT WALL SWITCH, 15A @ 250VAC (SUPPLIED).
- 6 - OPTIONAL CONTROL: IR OR RF REMOTE CONTROL. RELAY TRIGGER CONTROL. CONSULT VUTEC DEALERS FOR DETAILS.

THE INFORMATION CONTAINED IN THIS DRAWING IS THE SOLE PROPERTY OF VUTEC CORPORATION AND REPRODUCTION IN PART OR AS A WHOLE WITHOUT THE WRITTEN PERMISSION OF VUTEC CORPORATION IS PROHIBITED

## VUTEC CORPORATION

11711 W. SAMPLE ROAD. CORAL SPRINGS, FL 33065

DRAWN BY

11/01/2017 TM

CHECKED BY

DESCRIPTION

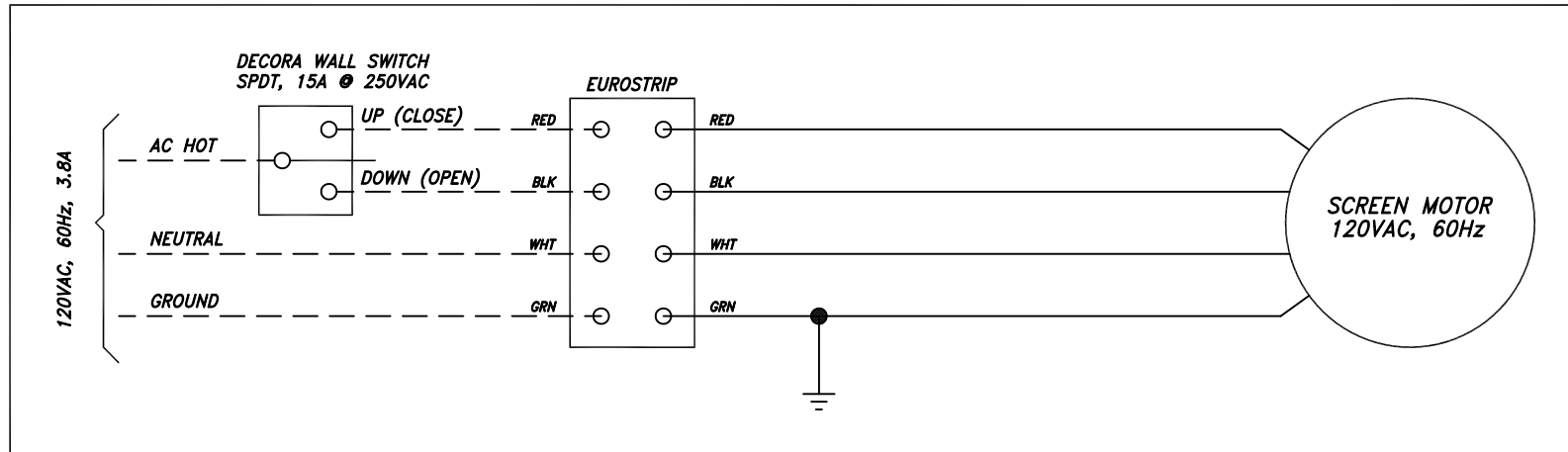
WIRING DIAGRAM - 230VAC  
LECTRIC 2-C & 4-C MDF 4.5R

DRAWING NO.

L2CMDf-INSTL\_SCH\_ALL

SCALE: 1/2

REV  
A

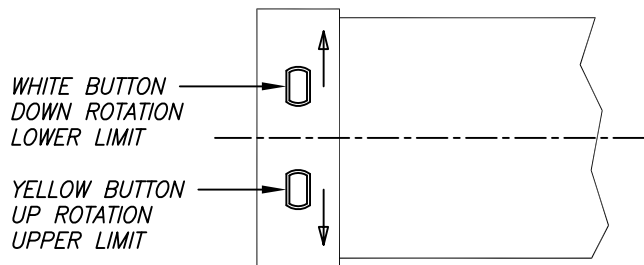


### PUSH BUTTON FEATURES

- 1 - BUTTON PRESSED IN; LIMIT SWITCH IS NOT ENGAGED; NO STOPPING POINT DEFINED. FREE RUNNING.
- 2 - BUTTON POPPED OUT; LIMIT SWITCH HAS BEEN ENGAGED; STOPPING POINT IS DEFINED.

### LIMIT SWITCH ADJUSTMENTS

- 1 - PRESS THE YELLOW BUTTON IN TO CHANGE THE UPPER LIMIT.
- 2 - SEND THE SCREEN UP; STOP THE SCREEN AT THE DESIRED UPPER LIMIT.
- 3 - PRESS THE YELLOW BUTTON TO MAKE IT POPS OUT. UPPER LIMIT IS DEFINED.
- 4 - PRESS THE WHITE BUTTON IN TO CHANGE THE LOWER LIMIT.
- 5 - SEND THE SCREEN DOWN; STOP THE SCREEN AT THE DESIRED LOWER LIMIT.
- 6 - PRESS THE WHITE BUTTON TO MAKE IT POPS OUT. LOWER LIMIT IS DEFINED.
- 7 - REPEAT THE STEPS AS OFTEN TO SATISFY THE CHANGE REQUIREMENTS.



### MOTOR LIMIT SWITCHES

PUSH BUTTON TYPE

#### NOTES:

- 1 - WIRING MUST CONFORM TO NATIONAL AND/OR ELECTRICAL CODES AND REGULATIONS.
- 2 - DASHED LINES SHOWN WIRING BY INSTALLERS.
- 3 - ALL WIRING MUST BE OF MINIMUM 18 AWG (OR EQUIVALENT).
- 4 - MOTOR: 680R2, 120VAC, 3.4A, 60Hz, 14RPM, 1PH.
- 5 - STANDARD CONTROL: SPDT WALL SWITCH, 15A @ 250VAC (SUPPLIED).
- 6 - OPTIONAL CONTROL: IR OR RF REMOTE CONTROL. RELAY TRIGGER CONTROL. CONSULT VUTEC DEALERS FOR DETAILS.

THE INFORMATION CONTAINED IN THIS DRAWING IS THE SOLE PROPERTY OF VUTEC CORPORATION AND REPRODUCTION IN PART OR AS A WHOLE WITHOUT THE WRITTEN PERMISSION OF VUTEC CORPORATION IS PROHIBITED

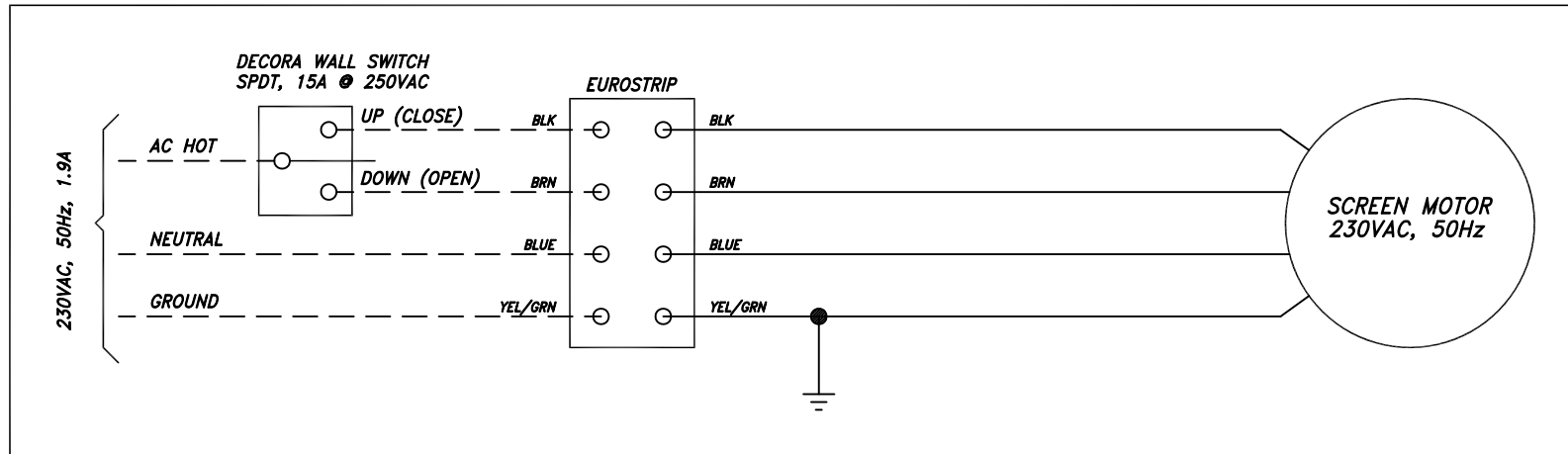
## VUTEC CORPORATION

11711 W. SAMPLE ROAD. CORAL SPRINGS, FL 33065

DRAWN BY  
11/01/2017 TM  
CHECKED BY

DESCRIPTION  
WIRING DIAGRAM - 120VAC  
LECTRIC 2-C & 4-C MDF 6R,8R

DRAWING NO.  
L2CMDf-INSTL\_SCH\_ALL  
SCALE: 1/2  
REV  
A

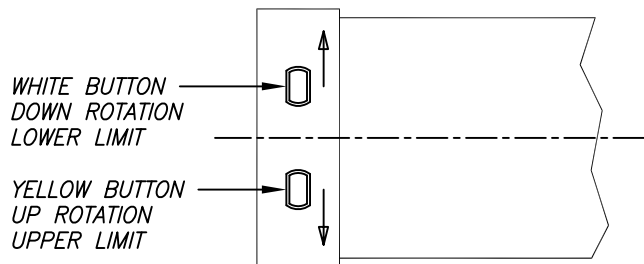


### PUSH BUTTON FEATURES

- 1 - BUTTON PRESSED IN; LIMIT SWITCH IS NOT ENGAGED; NO STOPPING POINT DEFINED. FREE RUNNING.
- 2 - BUTTON POPPED OUT; LIMIT SWITCH HAS BEEN ENGAGED; STOPPING POINT IS DEFINED.

### LIMIT SWITCH ADJUSTMENTS

- 1 - PRESS THE YELLOW BUTTON IN TO CHANGE THE UPPER LIMIT.
- 2 - SEND THE SCREEN UP; STOP THE SCREEN AT THE DESIRED UPPER LIMIT.
- 3 - PRESS THE YELLOW BUTTON TO MAKE IT POPS OUT. UPPER LIMIT IS DEFINED.
- 4 - PRESS THE WHITE BUTTON IN TO CHANGE THE LOWER LIMIT.
- 5 - SEND THE SCREEN DOWN; STOP THE SCREEN AT THE DESIRED LOWER LIMIT.
- 6 - PRESS THE WHITE BUTTON TO MAKE IT POPS OUT. LOWER LIMIT IS DEFINED.
- 7 - REPEAT THE STEPS AS OFTEN TO SATISFY THE CHANGE REQUIREMENTS.



### MOTOR LIMIT SWITCHES

PUSH BUTTON TYPE

#### NOTES:

- 1 - WIRING MUST CONFORM TO NATIONAL AND/OR ELECTRICAL CODES AND REGULATIONS.
- 2 - DASHED LINES SHOWN WIRING BY INSTALLERS.
- 3 - ALL WIRING MUST BE OF MINIMUM 18 AWG (OR EQUIVALENT).
- 4 - MOTOR: 680R1, 230VAC, 1.5A, 50Hz, 12RPM, 1PH.
- 5 - STANDARD CONTROL: SPDT WALL SWITCH, 15A @ 250VAC (SUPPLIED).
- 6 - OPTIONAL CONTROL: IR OR RF REMOTE CONTROL. RELAY TRIGGER CONTROL. CONSULT VUTEC DEALERS FOR DETAILS.

THE INFORMATION CONTAINED IN THIS DRAWING IS THE SOLE PROPERTY OF VUTEC CORPORATION AND REPRODUCTION IN PART OR AS A WHOLE WITHOUT THE WRITTEN PERMISSION OF VUTEC CORPORATION IS PROHIBITED

## VUTEC CORPORATION

11711 W. SAMPLE ROAD. CORAL SPRINGS, FL 33065

DRAWN BY

11/01/2017 TM

CHECKED BY

DESCRIPTION

WIRING DIAGRAM - 230VAC  
LECTRIC 2-C & 4-C MDF 6R,8R

DRAWING NO.

L2CMDf-INSTL\_SCH\_ALL

SCALE: 1/2

REV  
A