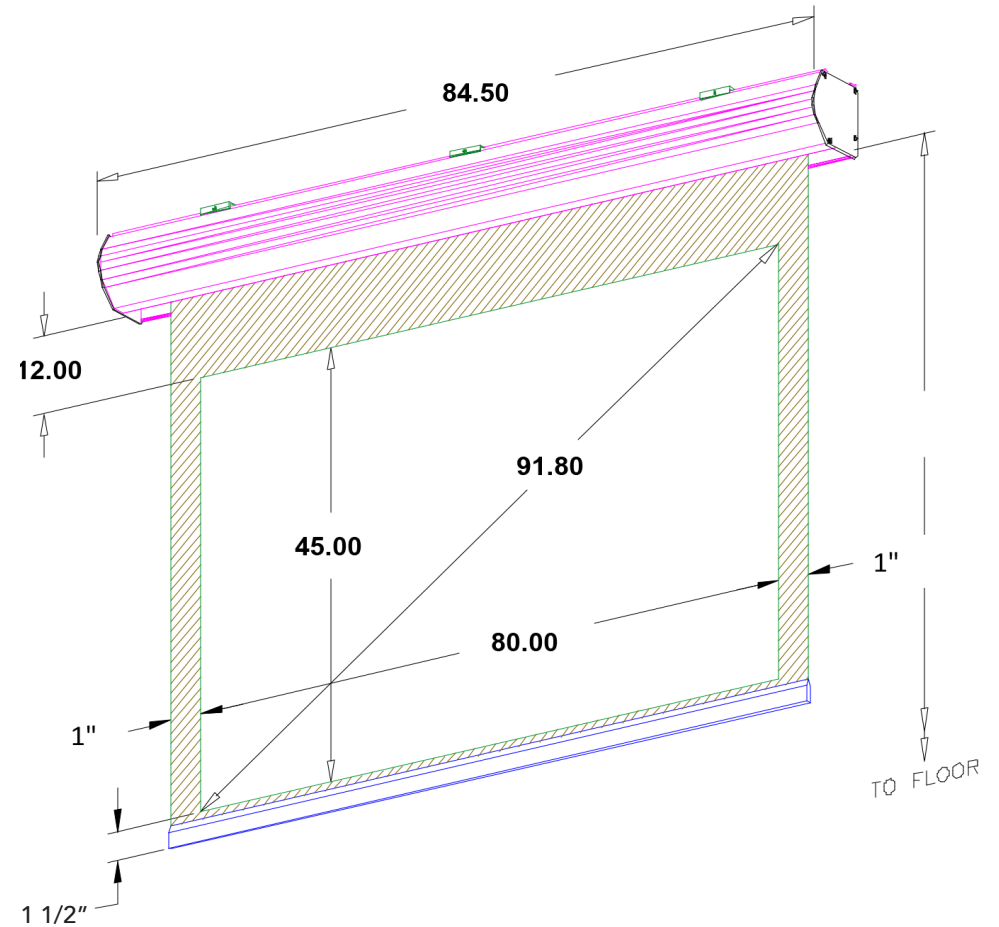
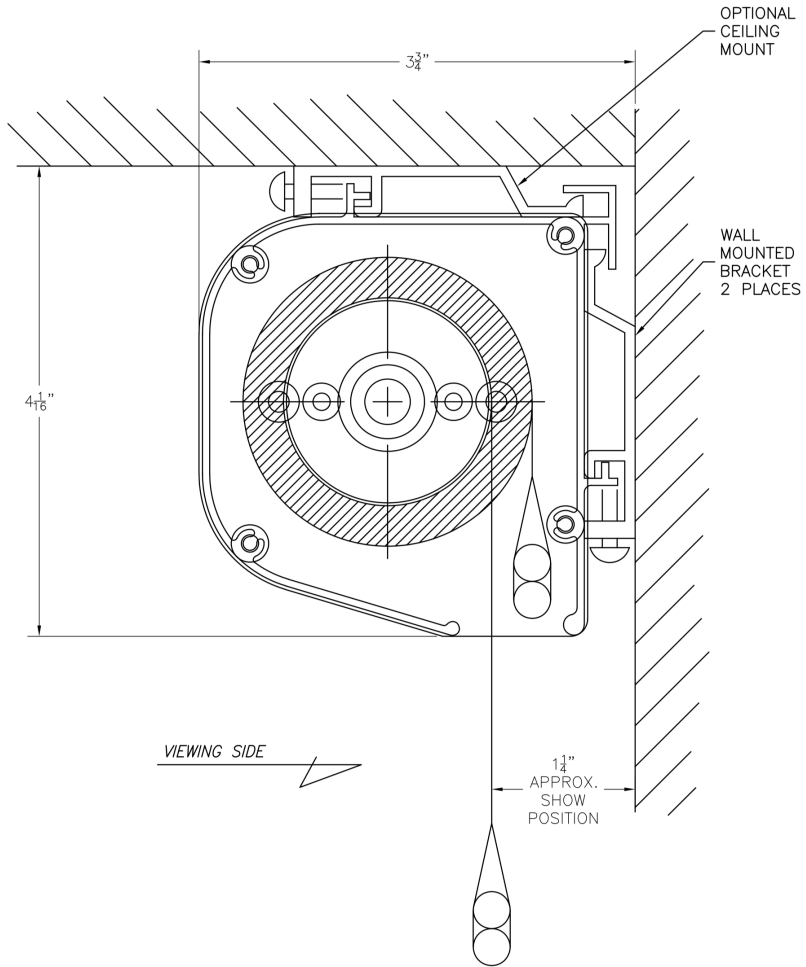


ELEGANTE MOTORIZED 92"

16:9



Date: _____ Dealer: _____ Client or Project No: _____ Phone: _____ PO#: _____

This quotation is valid for 30 days from the date shown.

Fabric Surface: _____ Frame Finish: _____



11711 W. Sample Road Coral Springs, FL 33065-3155
 T +1 (800) 770-4700 | F +1 (800) 548-5885 | T 954 545-9000 | Fax 954 545-9001
vutec.com

[f vuteccorporation](https://www.facebook.com/vuteccorporation)
[yt VutecCorp](https://www.youtube.com/channel/UCvutec)
[ig vuteccorp](https://www.instagram.com/vuteccorp)
[@Vutec](https://twitter.com/Vutec)