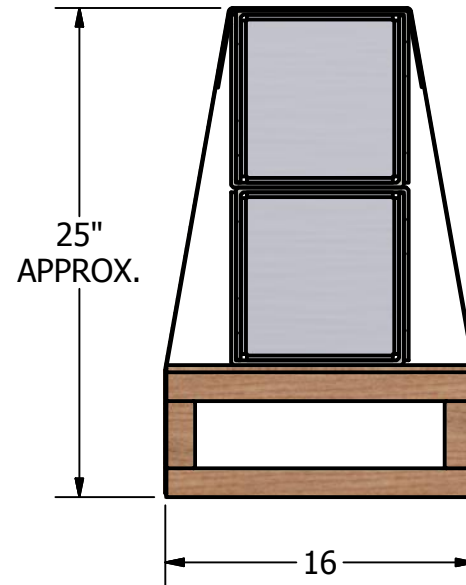
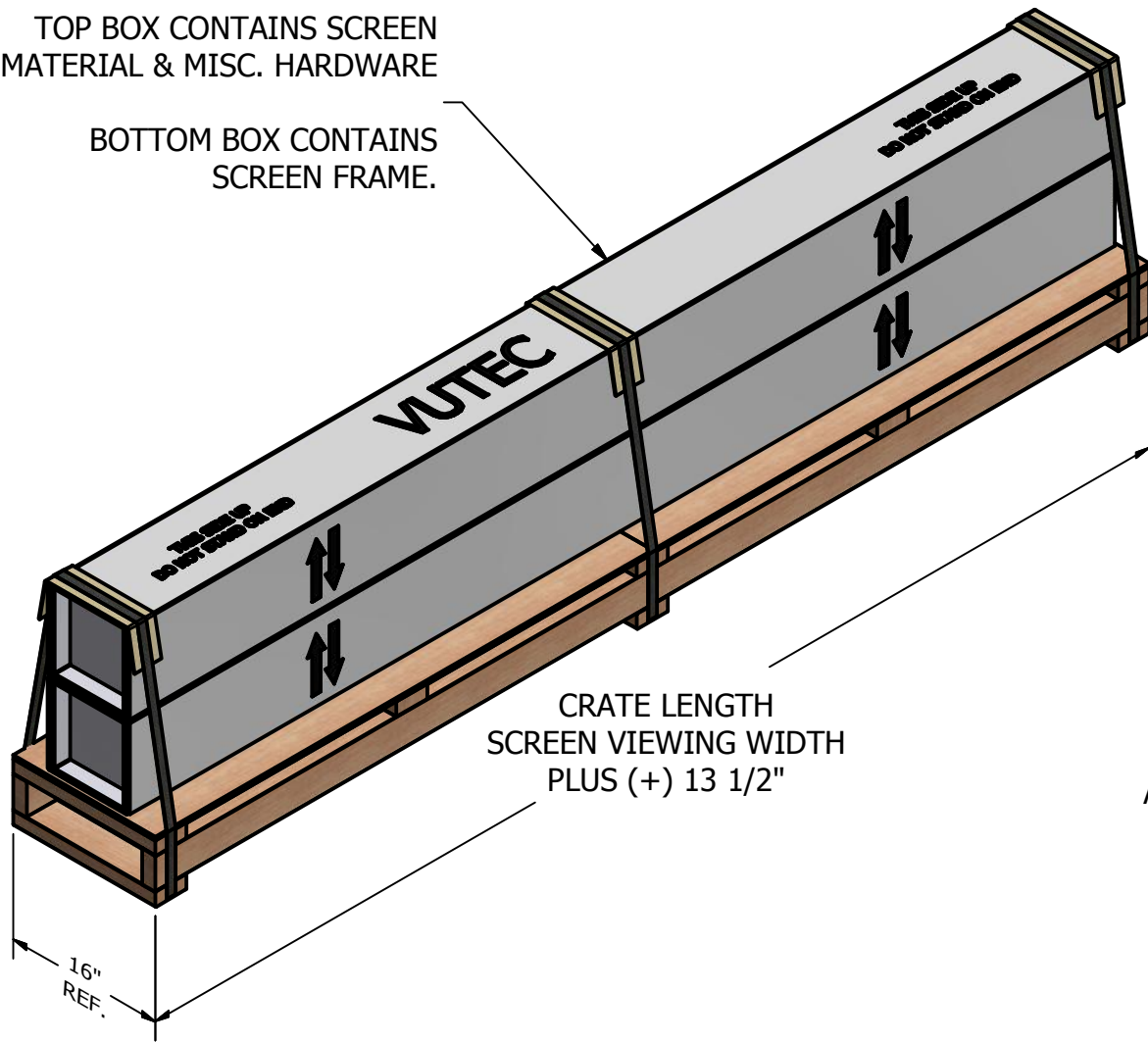


TOP BOX CONTAINS SCREEN MATERIAL & MISC. HARDWARE

BOTTOM BOX CONTAINS SCREEN FRAME.



NOTES:

- 1 - MATERIAL: 2 X 4, HEAT TREATED, KILN DRIED,
- 2 - FINISH: NONE
- 3 - QUANTITY PER ASSEMBLY: 1

THE INFORMATION CONTAINED IN THIS DRAWING IS THE SOLE PROPERTY OF VUTEC CORPORATION AND REPRODUCTION IN PART OR AS A WHOLE WITHOUT THE WRITTEN PERMISSION OF VUTEC CORPORATION IS PROHIBITED

<b>VUTEC CORPORATION</b>		11711 W. SAMPLE ROAD. CORAL SPRINGS, FL 33065	
DRAWN BY BJAYP	7/11/2019	DESCRIPTION PANOFLEXX SCREEN PACKAGING FOR REFERANCE ONLY	DRAWING NO. BJAYP\INVENTOR STD\SKID \PANOFLEXX PACKAGING
CHECKED BY		SCALE: NONE	REV A