



THE INFORMATION CONTAINED IN THIS DRAWING IS THE SOLE PROPERTY OF VUTEC CORPORATION AND REPRODUCTION IN PART OR AS A WHOLE WITHOUT THE WRITTEN PERMISSION OF VUTEC CORPORATION IS PROHIBITED

# VUTEC CORPORATION

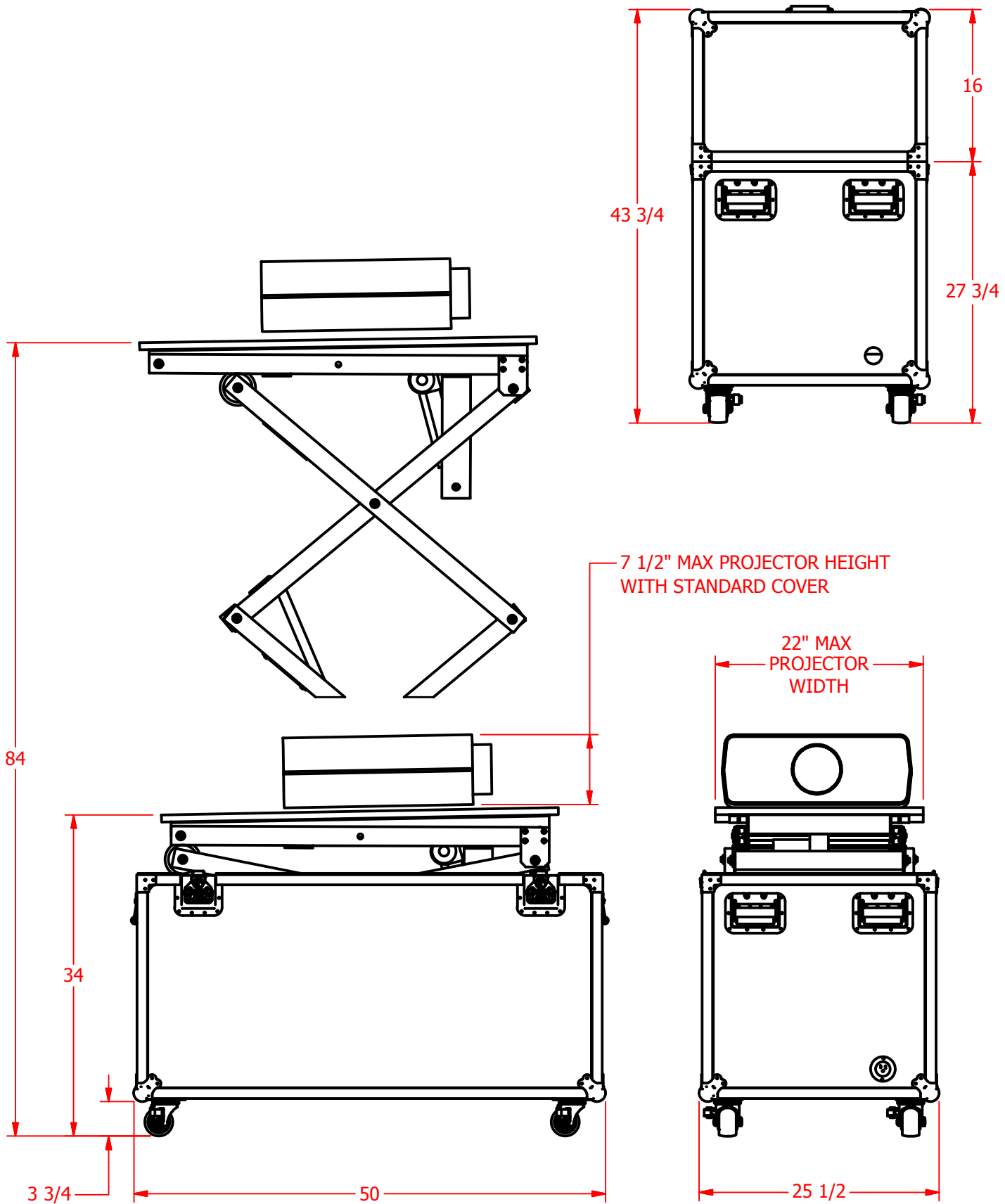
11711 W. SAMPLE ROAD. CORAL SPRINGS, FL 33065

DRAWN BY **BJayP**  
6/22/2015

DESCRIPTION  
RPLT-84X PROJECTOR LIFT  
200 LB CAP.

DRAWING NO.  
Z:\BRIAN\RPLT-084X

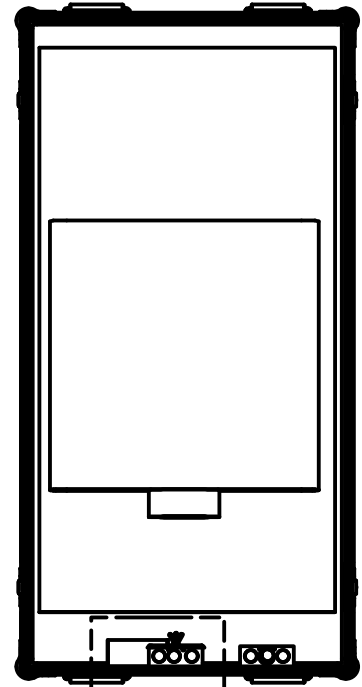
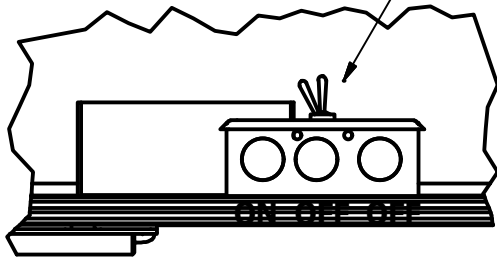
SCALE: NONE REV --



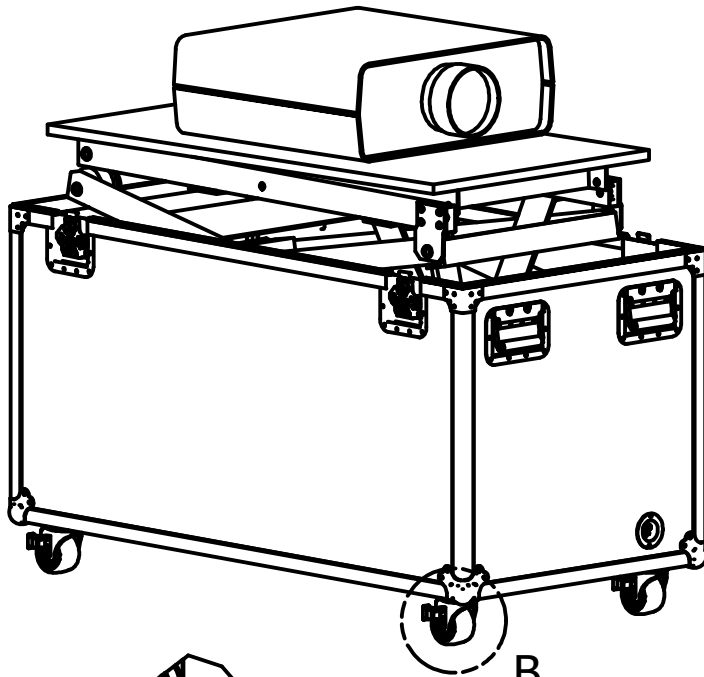
THE INFORMATION CONTAINED IN THIS DRAWING IS THE SOLE PROPERTY OF VUTEC CORPORATION AND REPRODUCTION IN PART OR AS A WHOLE WITHOUT THE WRITTEN PERMISSION OF VUTEC CORPORATION IS PROHIBITED	<b>VUTEC CORPORATION</b> 11711 W. SAMPLE ROAD. CORAL SPRINGS, FL 33065		DRAWING NO. <b>Z:\BRIAN\RPLT-084X</b>
	DRAWN BY <b>BJayP</b>	DESCRIPTION <b>RPLT-84X PROJECTOR LIFT          200 LB CAP.</b>	SCALE: NONE
	CHECKED BY <b>6/22/2015</b>	REV --	

DETAIL C

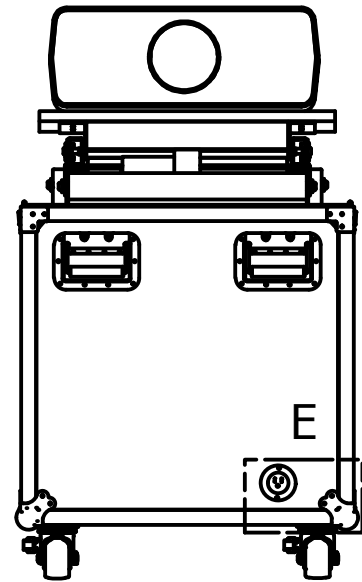
12VDC POWER SUPPLY SWITCH MUST BE ON TO RAISE PLATFORM.



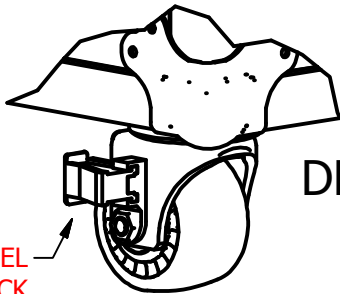
C



B

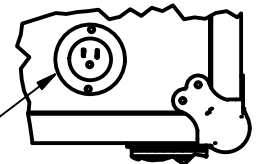


E



DETAIL B

WHEEL LOCK

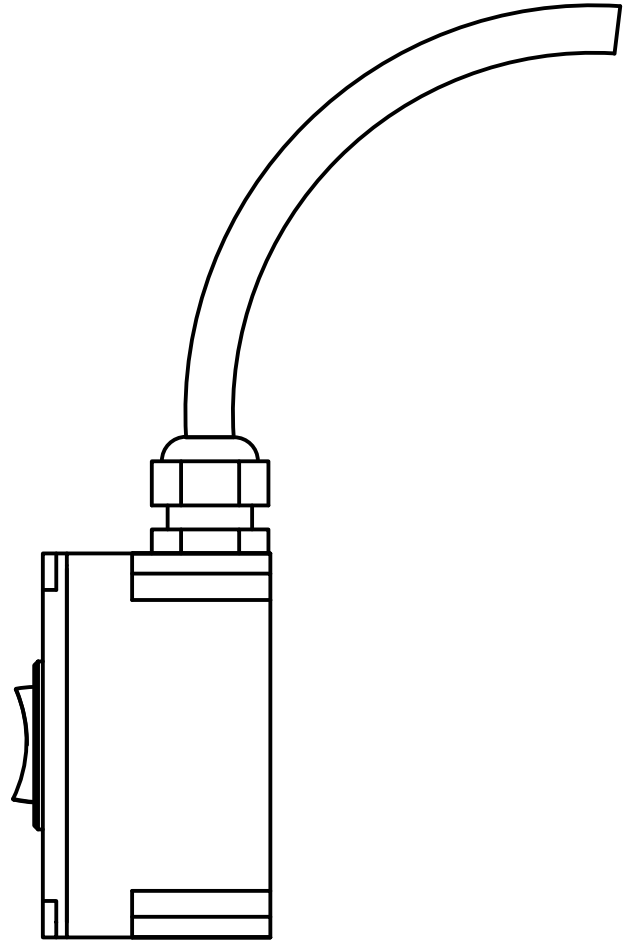
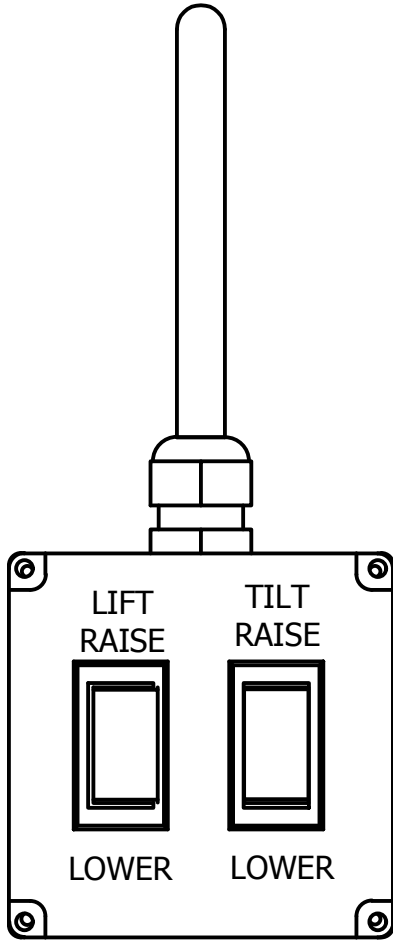


120VAC  
60Hz 15A  
POWER INLET

DETAIL E

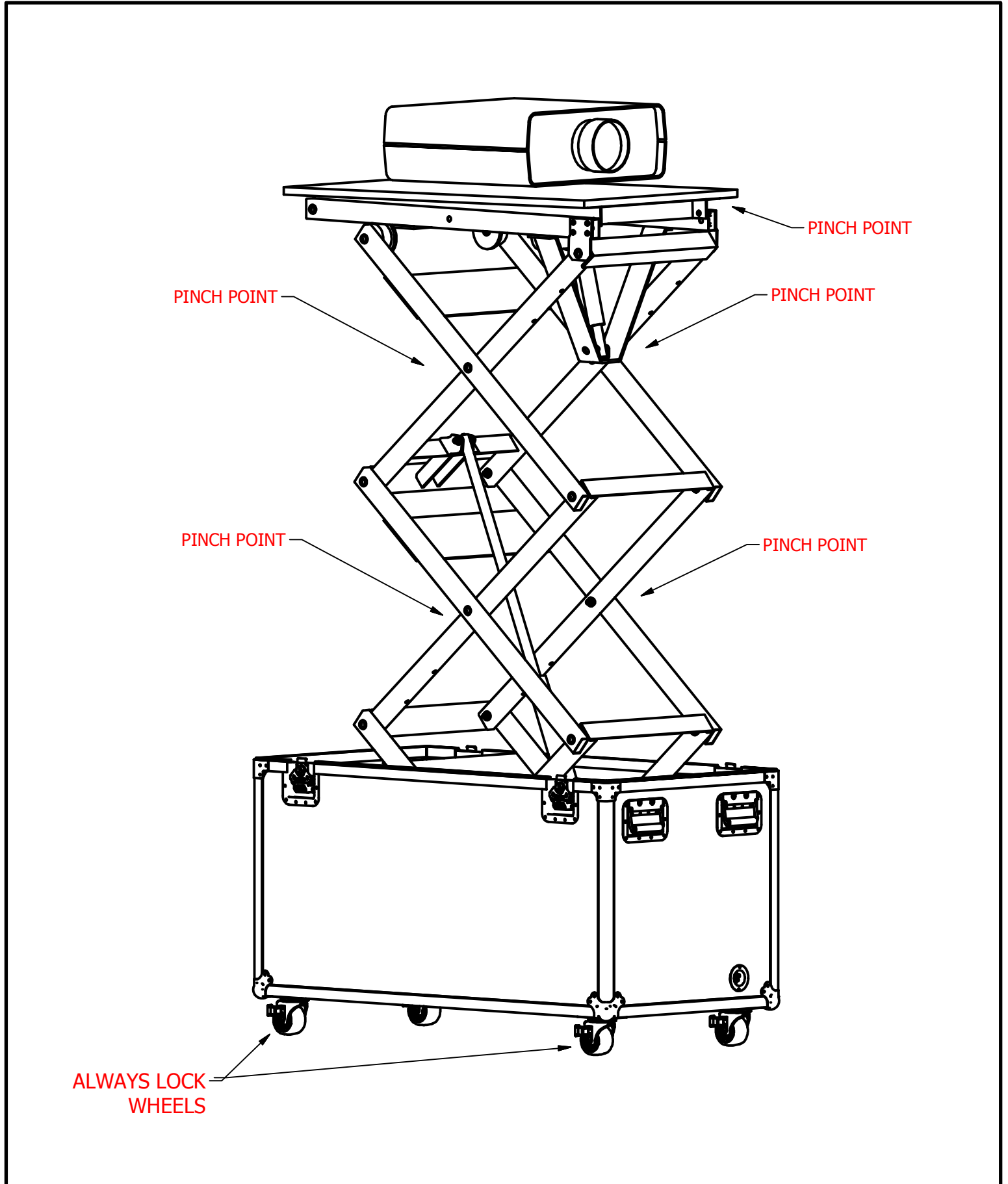
- 1 - BEFORE RAISING LIFT BE SURE THE CASE IS SITTING LEVEL AND THE WHEELS ARE LOCKED.
- 2 - CONNECT 120VAC 60Hz 15AMP POWER CORD TO THE POWER INLET.
- 3 - SWITCH 12VDC SWITCH TO THE "ON" POSITION TO RAISE AND LOWER LIFT.

<p>THE INFORMATION CONTAINED IN THIS DRAWING IS THE SOLE PROPERTY OF VUTECH CORPORATION AND REPRODUCTION IN PART OR AS A WHOLE WITHOUT THE WRITTEN PERMISSION OF VUTECH CORPORATION IS PROHIBITED</p>	<p><b>VUTECH CORPORATION</b> 11711 W. SAMPLE ROAD. CORAL SPRINGS, FL 33065</p>		<p>DRAWING NO. Z:\BRIAN\RPLT-084X</p>
	<p>DRAWN BY <b>BJayP</b> 6/22/2015</p>	<p>DESCRIPTION RPLT-84X PROJECTOR LIFT 200 LB CAP.</p>	
<p>CHECKED BY</p>	<p>REV --</p>	<p>SCALE: NONE</p>	<p>REV --</p>



- 1 - THE CONTROL PENDANT IS USED TO RAISE AND LOWER THE LIFT & TO TILT THE PROJECTOR PLATFORM.
- 2 - BEFORE RAISING THE LIFT MAKE SURE THAT THE CASE IS ON LEVEL GROUND AND THAT THE WHEELS ARE LOCKED.
- 3 - ENSURE THAT THE PROJECTOR IS CENTERED AND STABLE ON THE PLATFORM.
- 4 - TAKE CARE THAT THE PROJECTOR'S POWER AND COMMUNICATION CABLES ARE SECURE AN NOT IN AND ANY PINCH POINT AREAS.
- 5 - DO NOT MOVE THE LIFT IF THE PLATFORM IS RAISED ABOVE 5FT.

THE INFORMATION CONTAINED IN THIS DRAWING IS THE SOLE PROPERTY OF VUTECH CORPORATION AND REPRODUCTION IN PART OR AS A WHOLE WITHOUT THE WRITTEN PERMISSION OF VUTECH CORPORATION IS PROHIBITED	<b>VUTECH CORPORATION</b> 11711 W. SAMPLE ROAD. CORAL SPRINGS, FL 33065		DRAWING NO.
	DRAWN BY <b>BJayP</b> 6/22/2015	DESCRIPTION RPLT-84X PROJECTOR LIFT 200 LB CAP.	Z:\BRIAN\RPLT-084X
CHECKED BY			REV --



THE INFORMATION CONTAINED IN THIS DRAWING IS THE SOLE PROPERTY OF VUTEC CORPORATION AND REPRODUCTION IN PART OR AS A WHOLE WITHOUT THE WRITTEN PERMISSION OF VUTEC CORPORATION IS PROHIBITED	<b>VUTEC CORPORATION</b> 11711 W. SAMPLE ROAD. CORAL SPRINGS, FL 33065		DRAWING NO.	
	DRAWN BY <b>BJayP</b> 6/22/2015	DESCRIPTION RPLT-84X PROJECTOR LIFT 200 LB CAP.	Z:\BRIAN\RPLT-084X	
	CHECKED BY	SCALE: NONE	REV --	