

SLIM MODEL	TV DIAGONAL RANGE	TV DIMENSIONS MAX.		TV DEPTH + MOUNT	METAL FRAME DIMS.		METAL FRAME D ADJUSTMENT	WOOD FRAME OPENING		WEIGHT	⚠
		TV HEIGHT	TV WIDTH		FRAME H.	FRAME W.		C HEIGHT	C WIDTH		
42"	32" - 43"	24 1/2"	44"	2 1/2"	29 1/2"	47"	3" - 3 1/2"	22 1/2"	40"	40 lbs	
50"	44" - 55"	30 1/8"	54"	2 1/2"	35 1/8"	57"	3" - 3 1/2"	28 1/8"	50"	50 lbs	
60"	56" - 65"	37 7/8"	67 3/4"	2 1/2"	42 7/8"	70 3/4"	3" - 3 1/2"	35 7/8"	63 3/4"	70 lbs	
75"	70" - 85"	43 1/8"	75 1/4"	4 3/4"	49 3/8"	81 3/4"	4" - 5 1/2"	42 3/8"	74 3/4"	80 lbs	⚠

NOTES:

- 1 - MOTOR 120 VAC (STANDARD): NRO/06-33, 1.2 Amp, 33 RPM
OPTIONAL MOTOR 230 VAC: NRO/06-28, 0.65 Amp, 28 RPM
- 2 - STANDARD CONTROL: RF REMOTE CONTROL
- 3 - FIT OVER WALL MOUNTED TV WITH FLAT TV MOUNT.

THE INFORMATION CONTAINED IN THIS DRAWING IS THE SOLE PROPERTY OF VUTEC CORPORATION AND REPRODUCTION IN PART OR AS A WHOLE WITHOUT THE WRITTEN PERMISSION OF VUTEC CORPORATION IS PROHIBITED

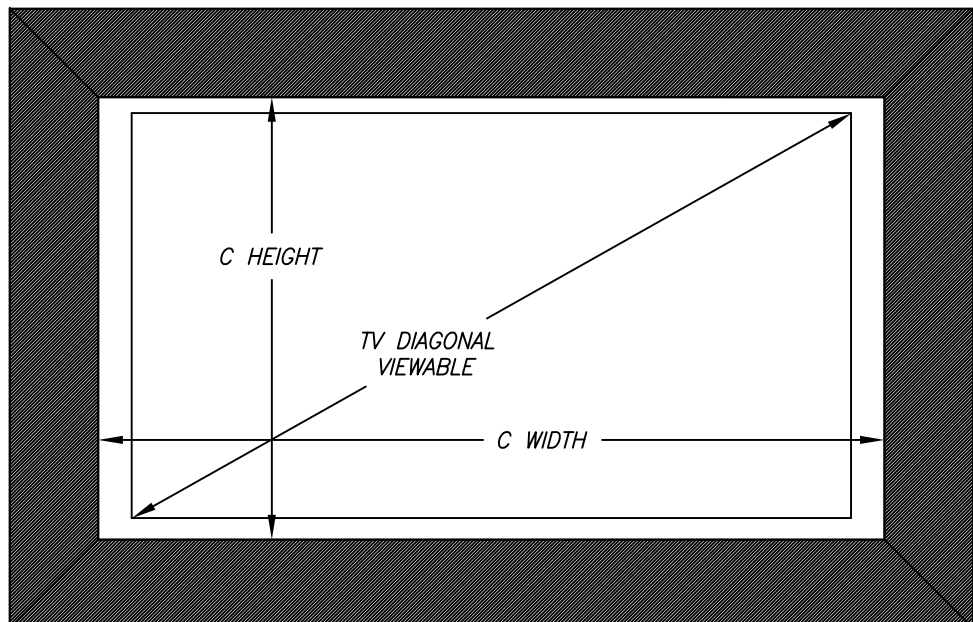
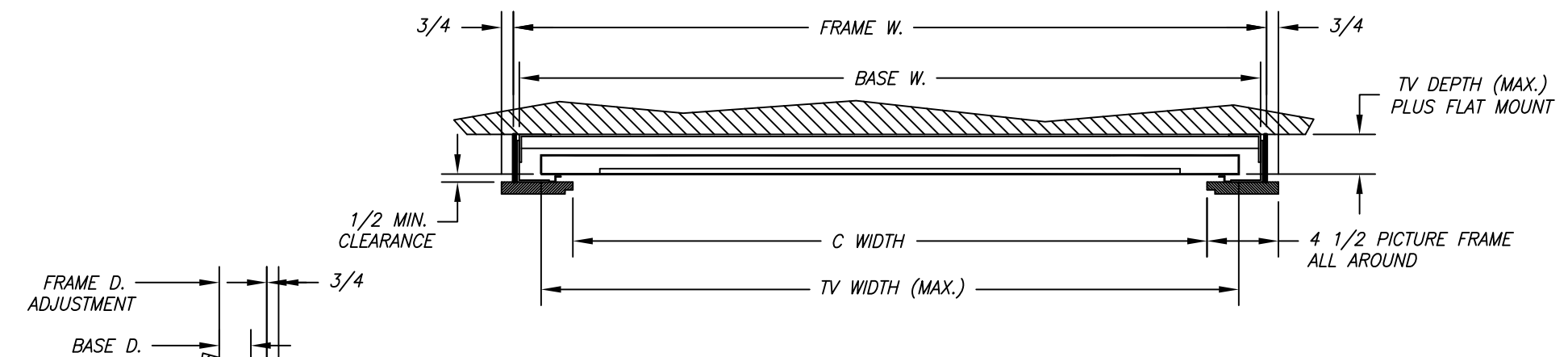
VUTEC CORPORATION

11711 W. SAMPLE ROAD, CORAL SPRINGS, FL 33064

DRAWN BY
09/05/12 PCB
CHECKED BY

DESCRIPTION
**SLIMLINE STUDIO SERIES
ART SCREEN**

DRAWING NO.
CAT-SLIM_MODEL_2D
SCALE: 1/10
REV E



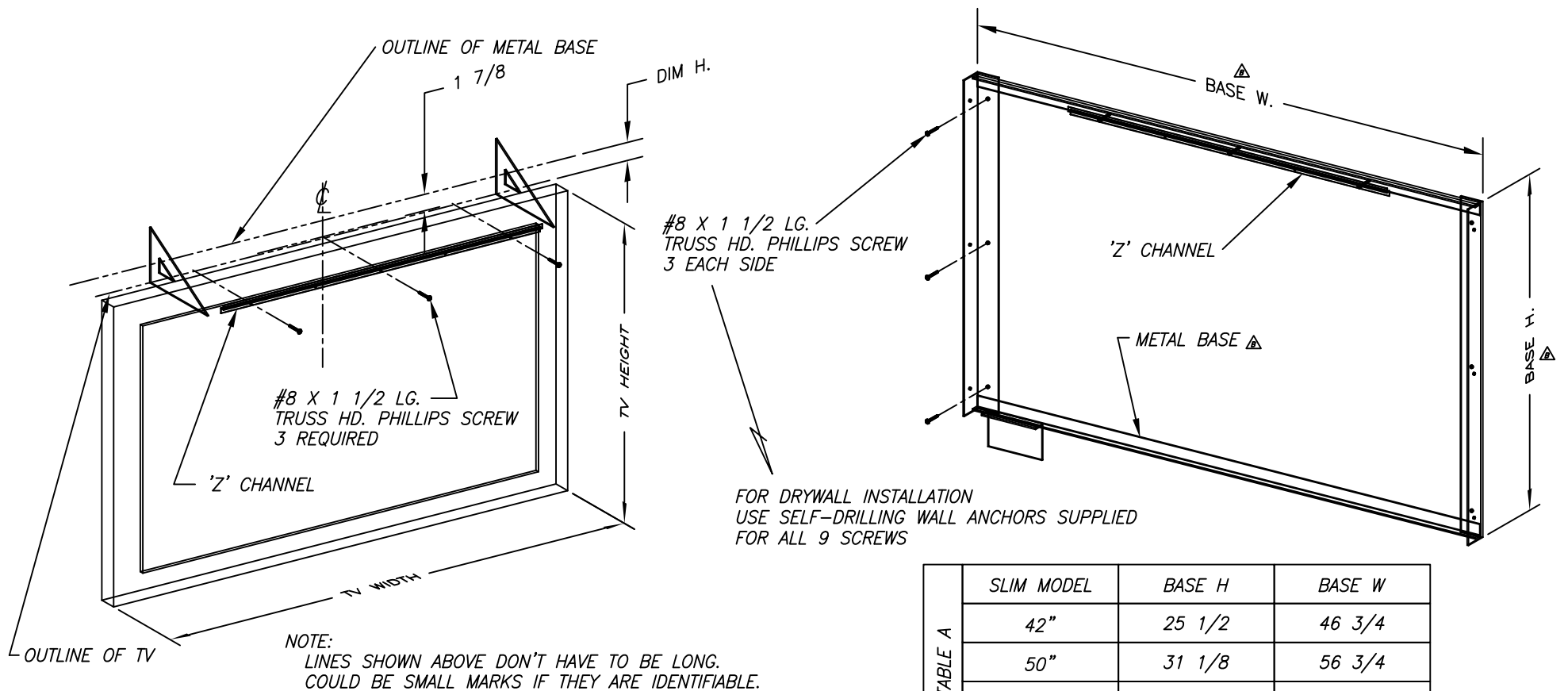
SLIM MODEL	TV DIAGONAL RANGE	TV DIMENSIONS MAX.		TV DEPTH + MOUNT	WALL BASE METAL FRAME			METAL FRAME DIMS		METAL FRAMES D ADJUSTMENT	WOOD FRAME OPENING		WEIGHT	△
		TV HEIGHT	TV WIDTH		BASE H	BASE W	BASE D	FRAME H.	FRAME W.		C HEIGHT	C WIDTH		
42"	32" - 43"	24 1/2"	44"	2 1/2"	25 1/2"	46 3/4"	2"	29 1/2"	47"	3" - 3 1/2"	22 1/2"	40"	40 lbs	△
50"	44" - 55"	30 1/8"	54"	2 1/2"	31 1/8"	56 3/4"	2"	35 1/8"	57"	3" - 3 1/2"	28 1/2"	50"	50 lbs	△
60"	56" - 65"	37 7/8"	67 3/4"	2 1/2"	38 7/8"	70 1/2"	2"	42 7/8"	70 3/4"	3" - 3 1/2"	35 7/8"	63 3/4"	70 lbs	△
75"	70" - 85"	43 1/8"	75 1/4"	4 3/4"	45 3/8"	81 1/2"	3"	49 3/8"	81 3/4"	4" - 5 1/2"	42 3/8"	74 3/4"	80 lbs	△

IMPORTANT CONSIDERATIONS:

- 1 - STUDIO SERIES ARTSCREEN DESIGNED FOR WALL MOUNTED INSTALLATIONS ONLY.
- 2 - FLAT MOUNT FOR TV TO BE PROVIDED BY INSTALLERS.
- 3 - CHECK AND VERIFY THAT THE HEIGHT, WIDTH AND DEPTH OF TV INCLUDING THE MOUNT DO NOT EXCEED VALUES SHOWN IN CHART FOR EACH MODEL.
- 4 - TV IS CENTERED IN ARTSCREEN ASSEMBLY WHEN DONE. TV IMAGE MAY NOT BE CENTERED DEPENDING ON THE TOP AND BOTTOM BEZELS OF TV.

VUTEC CORPORATION
11711 W. SAMPLE ROAD. CORAL SPRINGS, FL 33065

DRAWN BY 10/19/11 TM	DESCRIPTION DIMENSIONAL DATA ARTSCREEN - SLIM STUDIO SERIES	DRAWING NO. SSA-SLIM_INSTL_SO
CHECKED BY	SCALE: 1/10	REV D



	SLIM MODEL	BASE H	BASE W
TABLE A	42"	25 1/2	46 3/4
	50"	31 1/8	56 3/4
	60"	38 7/8	70 1/2
	75"	45 3/8	81 1/2

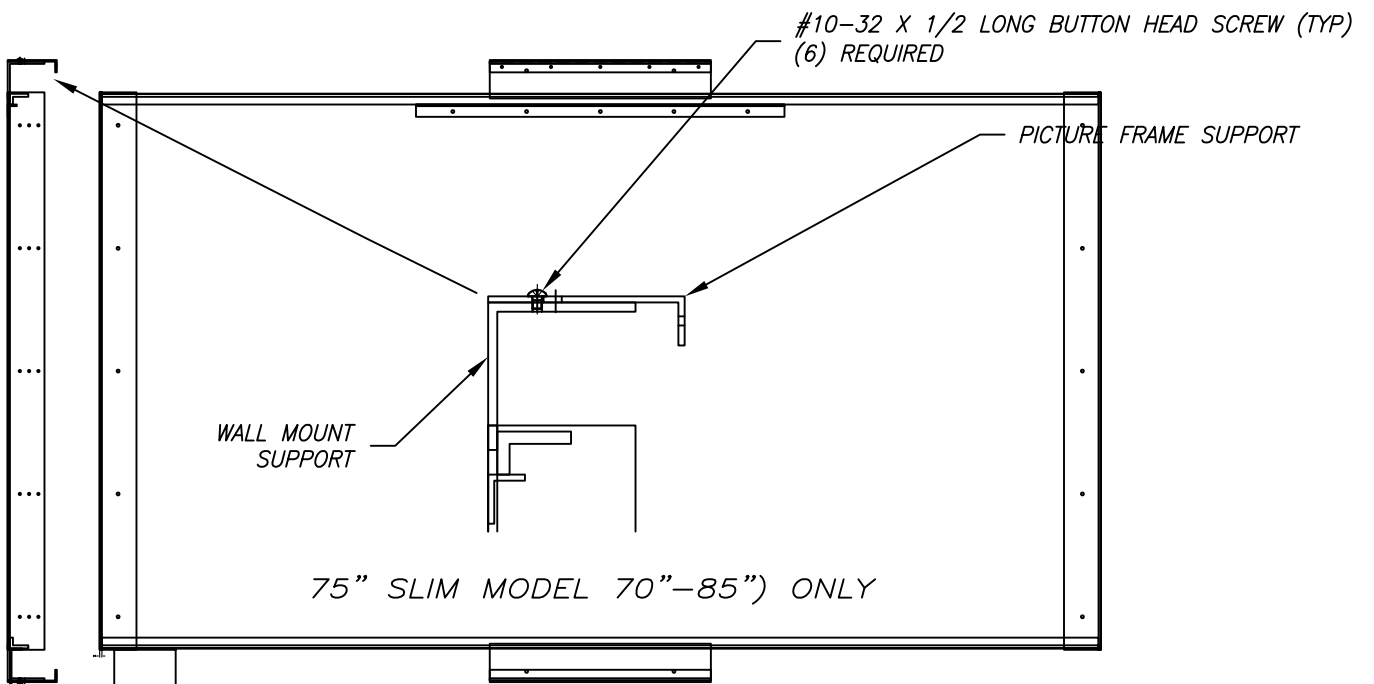
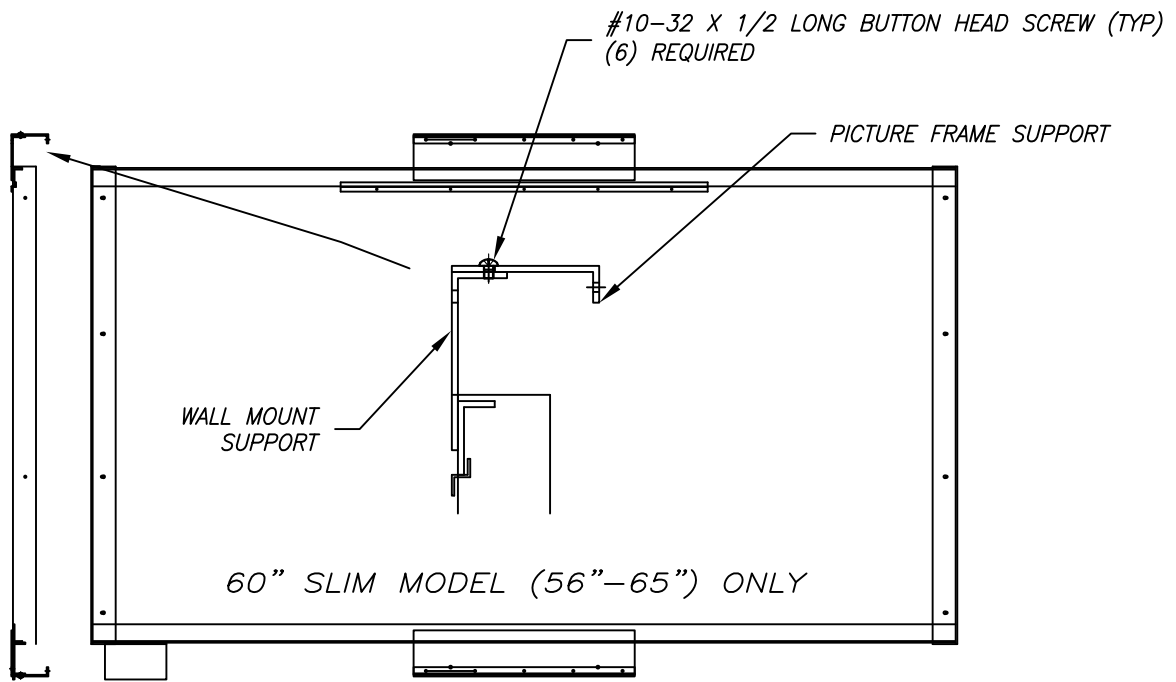
STEP 1

- 1 - IT IS IMPORTANT THAT TV IS MOUNTED TO THE WALL AND LOCATED IN THE DESIRED POSITION.
- ▲ 2 - USING A TRIANGLE OR A SIMILAR OBJECT WITH A 90° ANGLE; DRAW A LINE (LIGHTLY WITH A PENCIL) ON THE TOP OF TV TO THE WALL. ALSO DETERMINE THE CENTERLINE OF THE WIDTH OF THE TV.
- ▲▲ 3 - REFERRING TO TABLE "A" BY STUDIO SERIES MODEL; DETERMINE THE BASE H. AND BASE W. OF THE METAL BASE TO BE MOUNTED.
- 4 - MEASURE THE ACTUAL HEIGHT OF TV.
- ▲ 5 - DETERMINE METAL BASE VERTICAL LOCATION IN RESPECT TO THE TV LOCATION BY THE FOLLOWING:
BASE H. MINUS ACTUAL HEIGHT OF TV DIVIDE BY 2
THE RESULT IS NOW REFERRED TO AS DIM H.
- ▲ 6 - USING DIM H.; DRAW THE LINE FOR THE METAL BASE.
- ▲▲ 7 - MEASURE 1 7/8 INCHES FOR 42", 50" AND 60" MODELS OR 1 5/8 INCHES FOR 75" MODELS, BELOW THE LINE OF THE METAL BASE AND DRAW A LINE. THIS LINE IS THE CENTERLINE OF THE MOUNTING HOLES ON THE BOTTOM OF THE 'Z' CHANNEL FOR 42", 50" AND 60" MODELS OR THE MOUNTING HOLES OF ANGLE MOUNT FOR 75" MODEL.
- ▲▲ 8 - IT IS RECOMMENDED THAT THE TV BE REMOVED BEFORE INSTALLING THE 'Z' CHANNEL OR ANGLE MOUNT. INSURE THAT THE "Z" CHANNEL OR ANGLE MOUNT IS LEVEL AND CENTERED UP ON THE CENTERLINE OF THE TV. INSTALL THE "Z" CHANNEL OR ANGLE MOUNT USING THE SCREWS PROVIDED OR OTHER APPROPRIATE SCREWS (NOT SUPPLIED) FOR MOUNTING TO THE WALL.
- ▲ 9 - HANG THE METAL BASE OVER THE 'Z' CHANNEL OR ANGLE MOUNT AND CENTER IT SIDE TO SIDE.
- ▲ 10 - REINSTALL THE TV. CENTER THE METAL BASE SIDE TO SIDE ON THE TV AND THEN LOCK IT IN ITS POSITION BY USING THE SCREWS PROVIDED OR PROPER SCREWS (NOT SUPPLIED) FOR MOUNTING TO THE WALL.

VUTEC CORPORATION

11711 W. SAMPLE ROAD. CORAL SPRINGS, FL 33065

DRAWN BY 09/05/12 PCB	DESCRIPTION METAL FRAME INSTALLATION ARTSCREEN-SLIM STUDIO SERIES	DRAWING NO. SSA-SLIM_INSTL_S1
CHECKED BY	SCALE: 1/12	REV C



VUTEC CORPORATION

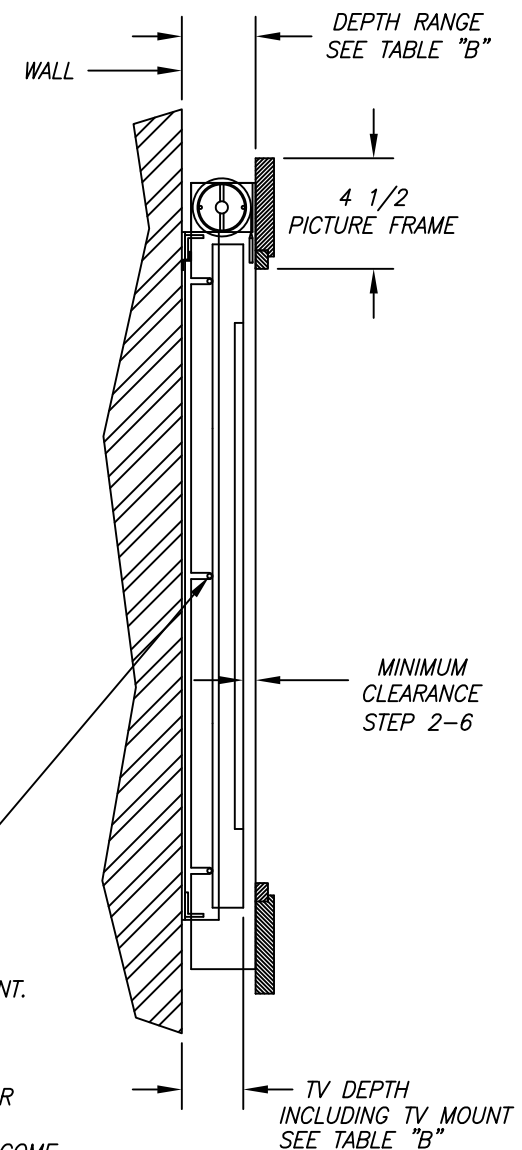
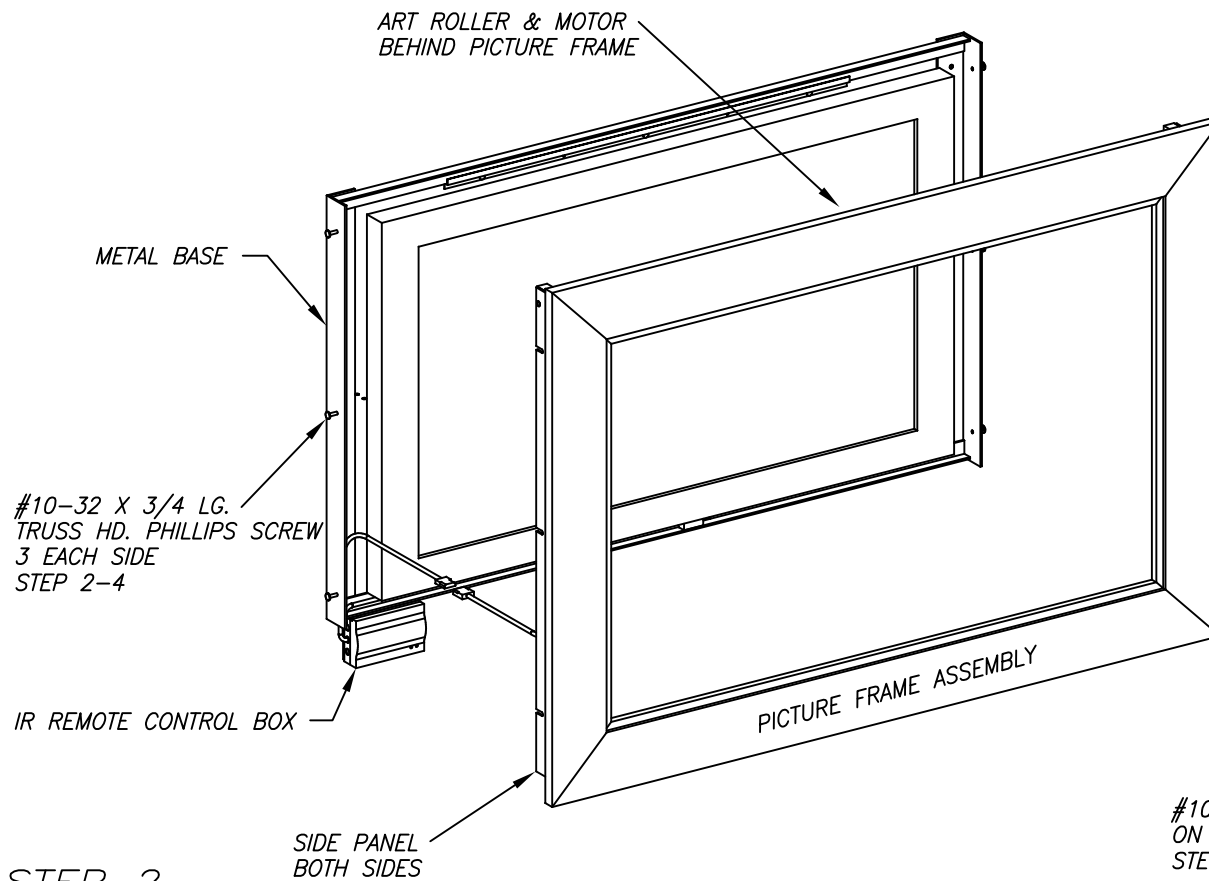
11711 W SAMPLE ROAD, CORAL SPRINGS, FL 33065

DRAWN BY
03/15/2019 TM
CHECKED BY

DESCRIPTION
PICTURE FRAME SUPPORT
SLIMLINE STUDIO SERIES

DRAWING NO.
LAYOUT-DECOART_SLIM

SCALE: 1/2
REV D



#10-32 MOUNTING HOLES ON METAL FRAME STEP 2-4

STEP 2

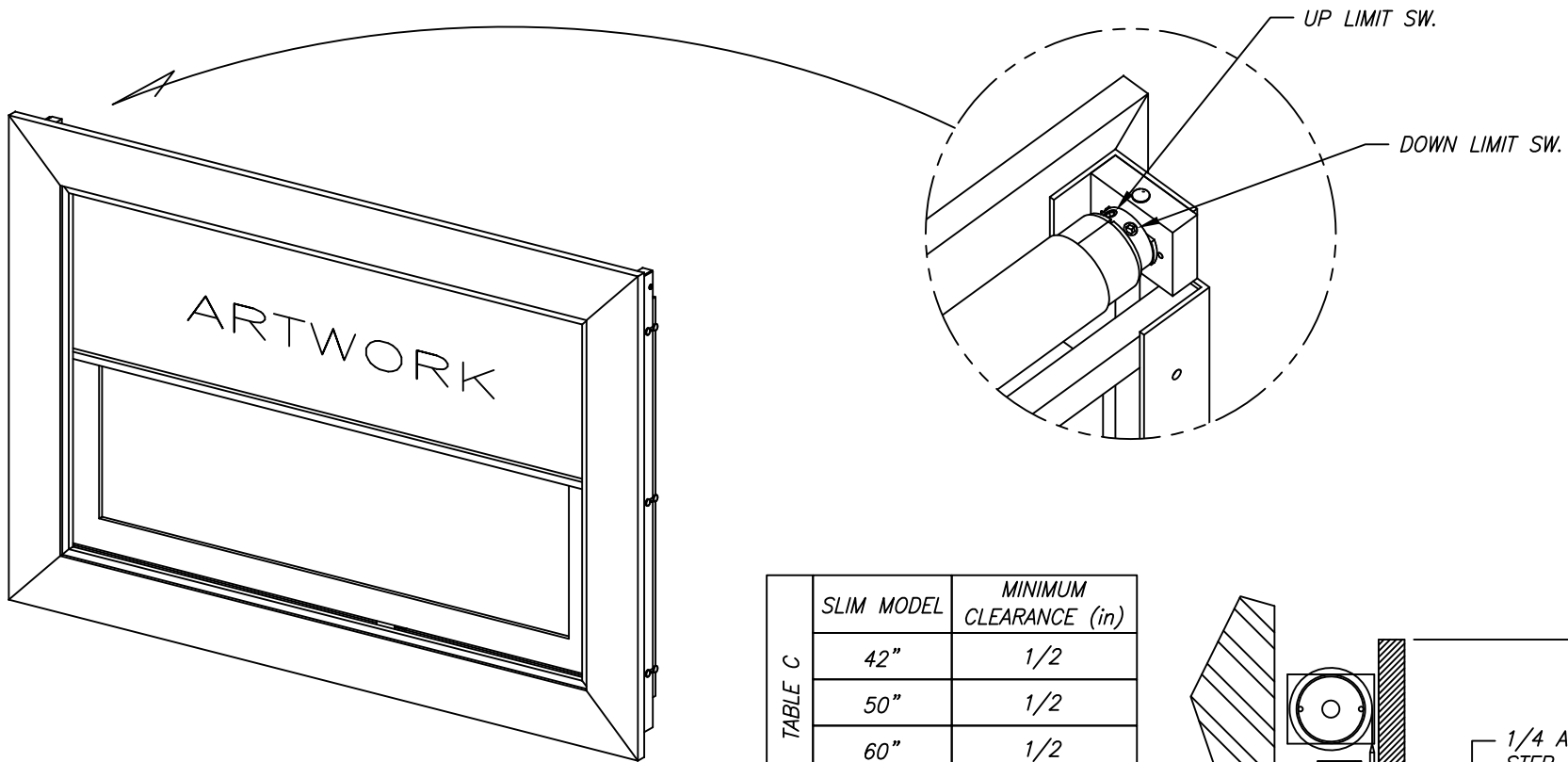
- △1 - ATTACH THE REMOTE CONTROL BOX TO THE BRACKET ON BOTTOM OF METAL BASE. USE VELCRO STRIPS SUPPLIED FOR ATTACHMENT.
- 2 - PLUG THE MOTOR AND CONTROL BOX CABLES TOGETHER.
- 3 - PLUG THE REMOTE CONTROL BOX TO AN AC OUTLET.
- 4 - LOOSEN THE #10-32 SCREWS ATTACHED TO THE METAL BASE TO ALLOW FOR THE PICTURE FRAME ASSEMBLY TO BE INSTALLED.
- 5 - CAREFULLY SLIDE THE SIDE PANELS OF THE PICTURE FRAME ASSEMBLY OVER THE METAL FRAME WHILE ALSO CLEARING THE MOTOR CABLE TO THE SIDE OF TV.
- △6 - ALLOWING MINIMUM CLEARANCE PER TABLE "B" BETWEEN THE TV AND THE BACK SIDE OF PICTURE FRAME FOR THE ARTWORK TO COME DOWN AND UP.
- 7 - BE SURE PICTURE FRAME IS PLUMB THEN TIGHTEN ALL SCREWS.

SIDE VIEW

TABLE B	SLIM MODEL	DEPTH RANGE (in)	TV DEPTH + MOUNT	MINIMUM CLEARANCE (in)
	42"	3 - 3 1/2	2 1/2 - 3	1/2
	50"	3 - 3 1/2	2 1/2 - 3	1/2
	60"	3 - 3 1/2	2 1/2 - 3	1/2
	75"	4 - 5 1/2	3 1/4 - 4 3/4	3/4

VUTEC CORPORATION
11711 W. SAMPLE ROAD. CORAL SPRINGS, FL 33065

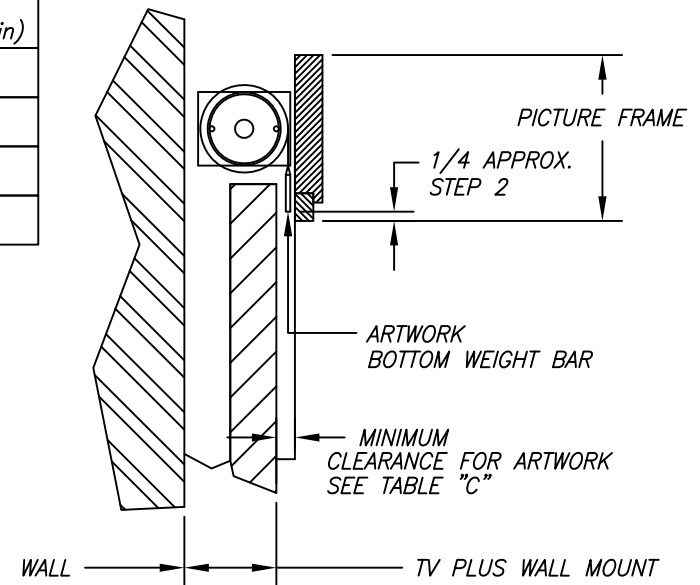
DRAWN BY 10/19/11 TM	DESCRIPTION PICTURE FRAME INSTALLATION ARTSCREEN-SLIM STUDIO SERIES	DRAWING NO. SSA-SLIM_INSTL_S2
CHECKED BY		SCALE: 1/12 REV C



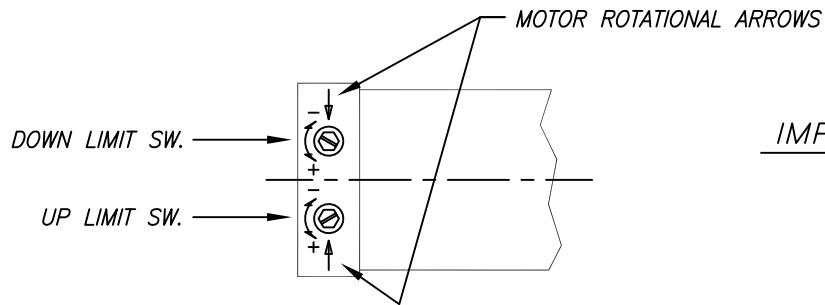
FIRST OPERATION

- 1 - PRESS ARROW DOWN ON THE REMOTE CONTROL TO CLOSE THE ARTWORK. ARTWORK COMES DOWN AND STOP; ARTWORK IMAGE IS CENTERED IN PICTURE FRAME. IF THE ARTWORK APPEARS TO TRAVEL FURTHER DOWN BEYOND ITS STOP POSITION; PRESS STOP BUTTON (THE CENTER BUTTON ON THE REMOTE CONTROL) TO STOP THE MOVEMENT. MAKE THE LIMIT SWITCH ADJUSTMENT TO SET THE CORRECT LOWER LIMIT FOR THE ARTWORK.
- 2 - PRESS ARROW UP ON THE REMOTE CONTROL TO OPEN THE ARTWORK. ARTWORK COMES UP AND STOP APPROXIMATELY 1/4 INCH ABOVE THE PICTURE FRAME OPENING. IF THE ARTWORK APPEARS TO TRAVEL FURTHER UP BEYOND ITS STOP POSITION; PRESS STOP BUTTON ON THE REMOTE CONTROL TO STOP THE MOVEMENT. MAKE THE LIMIT SWITCH ADJUSTMENT TO SET THE CORRECT UPPER LIMIT FOR THE ARTWORK.

TABLE C	SLIM MODEL	MINIMUM CLEARANCE (in)
	42"	1/2
	50"	1/2
	60"	1/2
	75"	3/4



VUTEC CORPORATION		
11711 W. SAMPLE ROAD. CORAL SPRINGS, FL 33065		
DRAWN BY	DESCRIPTION	DRAWING NO.
10/19/11 TM	FINALIZING ARTSCREEN-SLIM STUDIO SERIES	SSA-SLIM_INSTL_S3
CHECKED BY		SCALE: 1/12
		REV C



MOTOR LIMIT SWITCHES

USE 5/32 HEX KEY
OR 1/8 WIDE FLAT BLADE SCREWDRIVER TO TURN

IMPORTANT CONSIDERATIONS BEFORE MAKING ADJUSTMENTS

- 1 - ARTWORK UPPER LIMIT IS SET TO STOP JUST BEHIND THE PICTURE FRAME OF APPROXIMATELY 1/4 INCH.
- 2 - ARTWORK LOWER LIMIT IS SET TO STOP CENTERED WITH THE PICTURE FRAME VERTICAL OPENING.
- 3 - EACH FULL TURN (360°) OF THE LIMIT SOCKET WILL MAKE THE ARTWORK TO MOVE APPROXIMATELY 3/4 INCH.

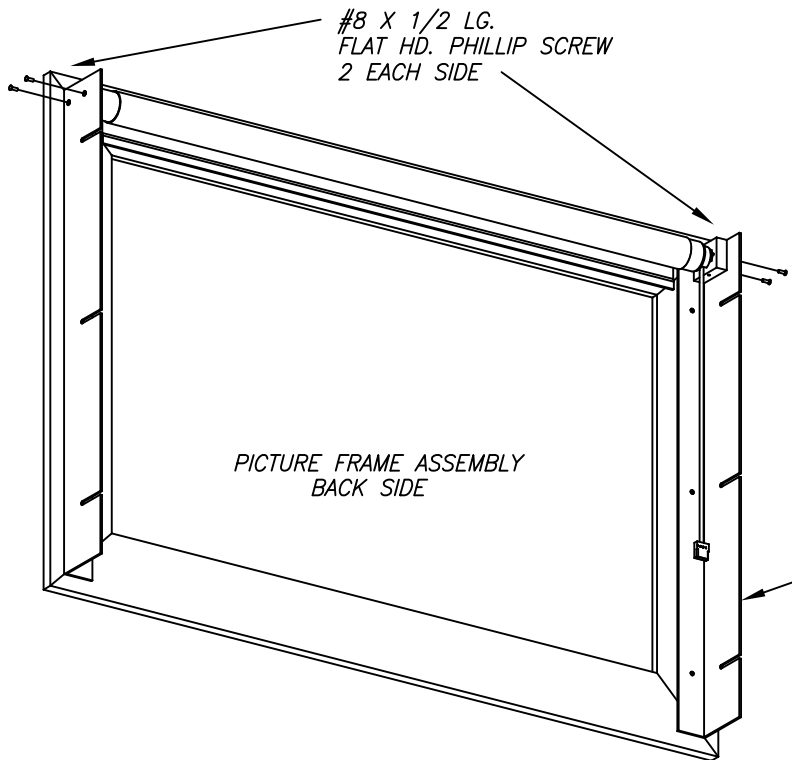
LIMIT SWITCH ADJUSTMENTS

- 1 - TURN EACH SWITCH SOCKET IN THE DESIRED DIRECTION TO EFFECT THE CHANGE.
- 2 - SEND THE SCREEN UP OR DOWN TO SEE THE CHANGE
- 3 - REPEAT STEP 3 AS OFTEN TO SATISFY THE CHANGE REQUIREMENTS.

OPERATIONAL

- 1 - PRESS ARROW DOWN ON THE REMOTE CONTROL TO CLOSE THE ARTWORK. ARTWORK COMES DOWN AND STOP; ARTWORK IMAGE IS CENTERED IN PICTURE FRAME.
- 2 - PRESS ARROW UP ON THE REMOTE CONTROL TO OPEN THE ARTWORK. ARTWORK COMES UP AND STOP APPROXIMATELY 1/4 INCH ABOVE THE PICTURE FRAME OPENING.
- 3 - TV OPERATIONS ARE INDEPENDENT OF ARTSCREEN CONTROLS.

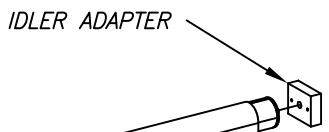
VUTEC CORPORATION		
11711 W. SAMPLE ROAD. CORAL SPRINGS, FL 33065		
DRAWN BY	DESCRIPTION	DRAWING NO.
10/19/11 TM	OPERATIONAL - STD. ARTSCREEN-SLIM STUDIO SERIES	SSA-SLIM_INSTL_S3
CHECKED BY		SCALE: 1/12
		REV C



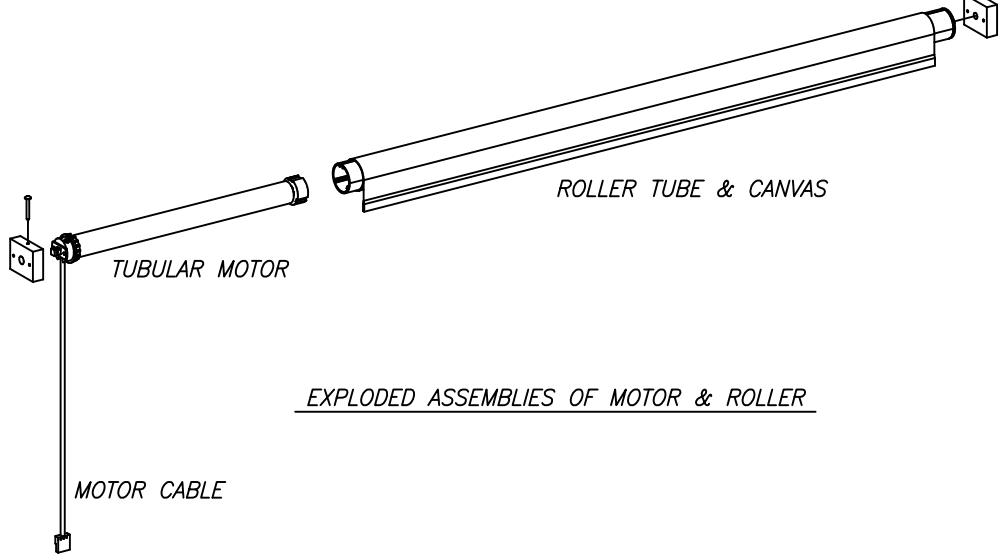
MOTOR & ROLLER REMOVAL

- 1 - LOCATE AND PLACE THE PICTURE FRAME ASSEMBLY ON A CLEANED AND FLAT SURFACE WITH MOTOR FACING UP.
- 2 - REMOVE THE SCREWS OF THE MOTOR AND IDLER ADAPTERS.
- 3 - REMOVE THE COMPLETE MOTOR & ROLLER ASSEMBLY FROM THE SIDE MOUNT ANGLES.
- 4 - IF REPLACING THE MOTOR; REMOVE THE SCREW HOLDING THE MOTOR ADAPTER TO THE MOTOR SQUARE PIN ADAPTER FOR REUSE. NOTE THE LOCATIONS OF MOTOR LIMIT SWITCHES WITH REFERENCE TO THE MOTOR ADAPTER FOR REINSTALLATION.
- 5 - REFERRING TO DRAWING MOTOR & ROLLER ASSEMBLY FOR FURTHER INSTRUCTIONS.
- 6 - REINSTALLATION IS THE REVERSAL OF REMOVAL.

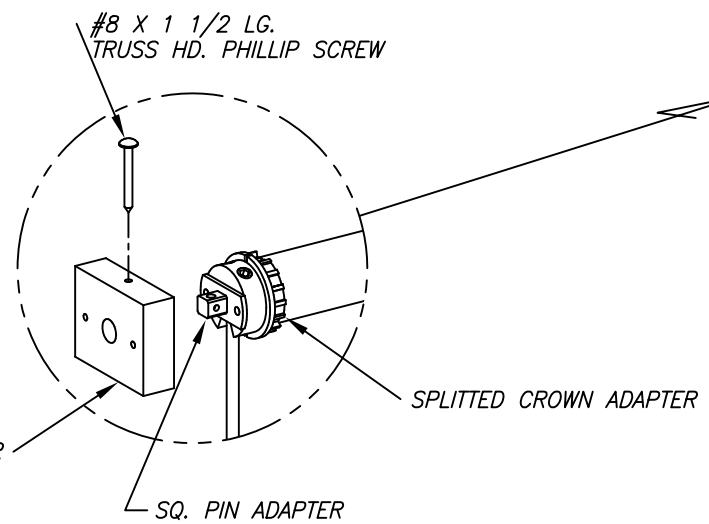
SIDE MOUNT ANGLE
1 EACH SIDE



IDLER ADAPTER



EXPLODED ASSEMBLIES OF MOTOR & ROLLER

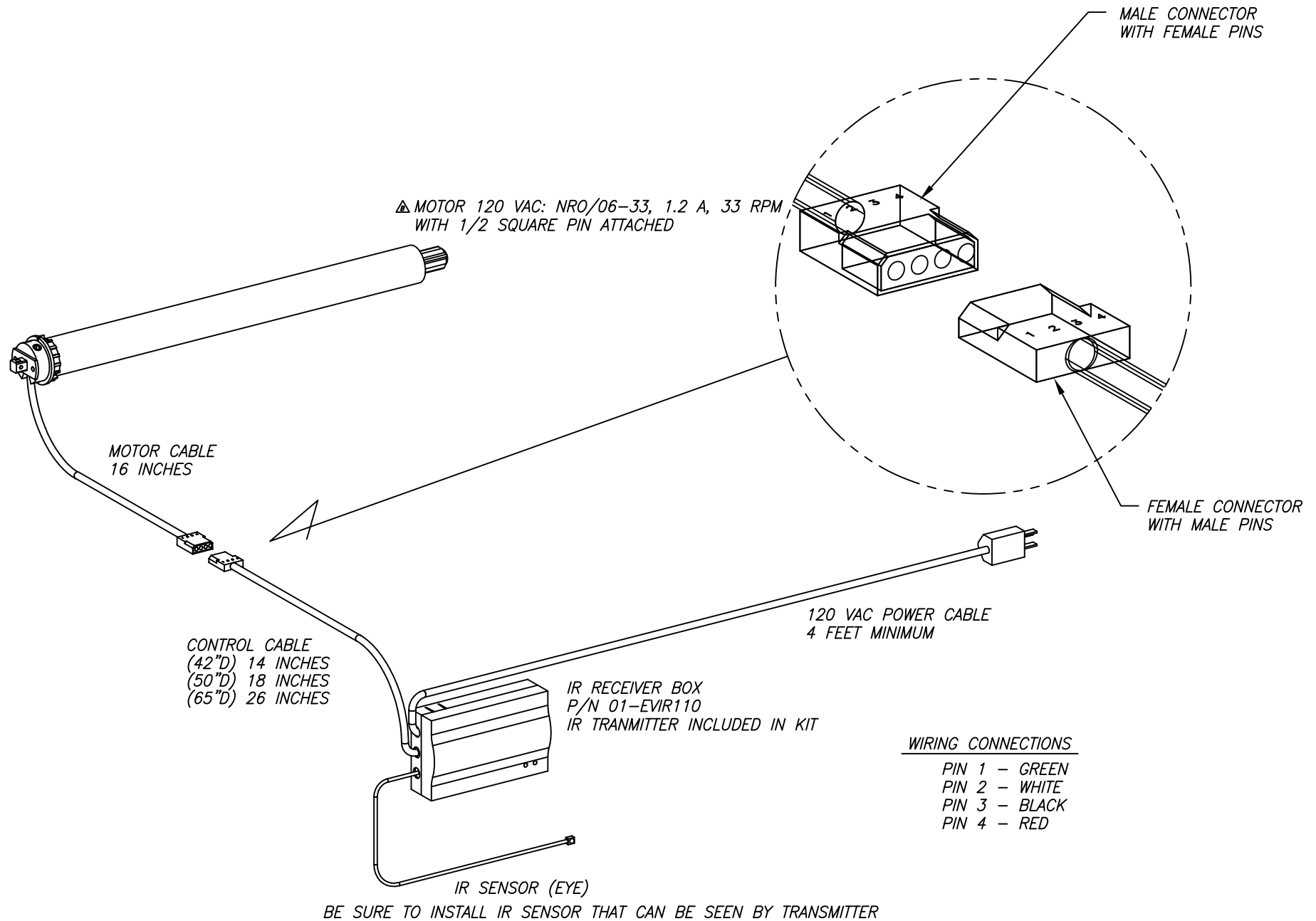


MOTOR ADAPTER

VUTEC CORPORATION

11711 W. SAMPLE ROAD. CORAL SPRINGS, FL 33065

DRAWN BY 10/12/09 HN	DESCRIPTION PICTURE FRAME ASSEMBLY ARTSCREEN - STUDIO SERIES	DRAWING NO. SSA-INSTL_MTR3
CHECKED BY		SCALE: 1/12 REV B

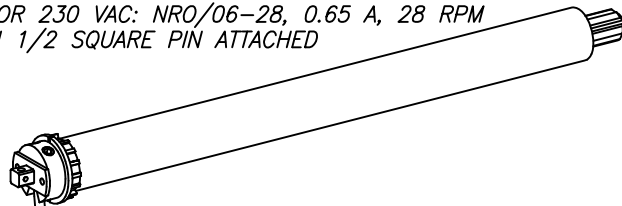


VUTEC CORPORATION

11711 W. SAMPLE ROAD. CORAL SPRINGS, FL 33065

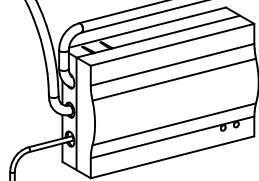
DRAWN BY	DESCRIPTION	DRAWING NO.
11/17/09 HN	MOTOR & CONTROL - 120 VAC	SSA-SLIM_INSTL_MTR1_IR
CHECKED BY	ARTSCREEN-SLIM STUDIO SERIES	SCALE: 1/5
		REV B

⚠ *MOTOR 230 VAC: NRO/06-28, 0.65 A, 28 RPM
WITH 1/2 SQUARE PIN ATTACHED*



*MOTOR CABLE
16 INCHES*

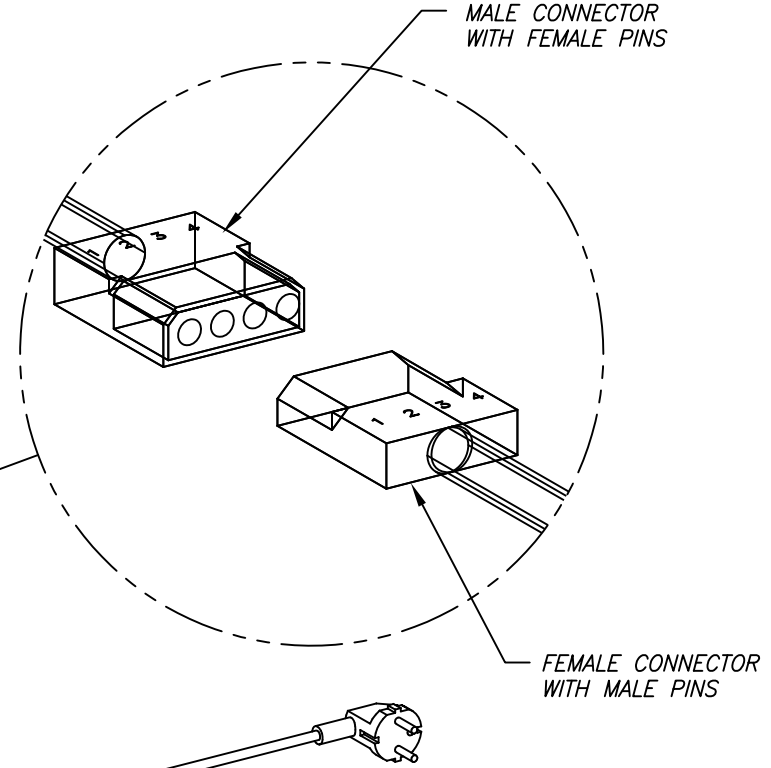
*CONTROL CABLE
(42"D) 14 INCHES
(50"D) 18 INCHES
(65"D) 26 INCHES*



*IR RECEIVER BOX
P/N 01-EVIR220
IR TRANSMITTER INCLUDED IN KIT*

IR SENSOR (EYE)

BE SURE TO INSTALL IR SENSOR THAT CAN BE SEEN BY TRANSMITTER



*MALE CONNECTOR
WITH FEMALE PINS*

*FEMALE CONNECTOR
WITH MALE PINS*

*230 VAC POWER CABLE
4 FEET MINIMUM*

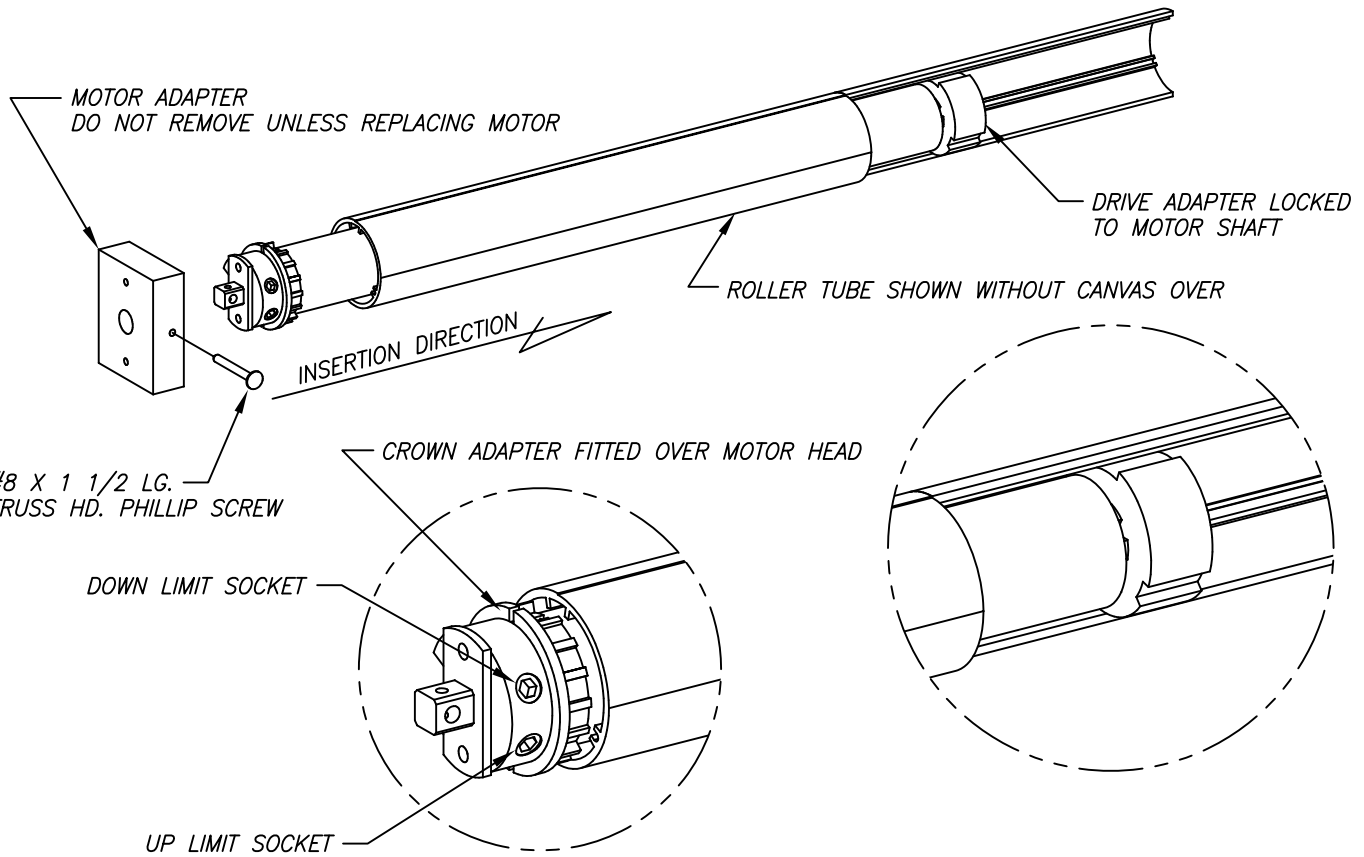
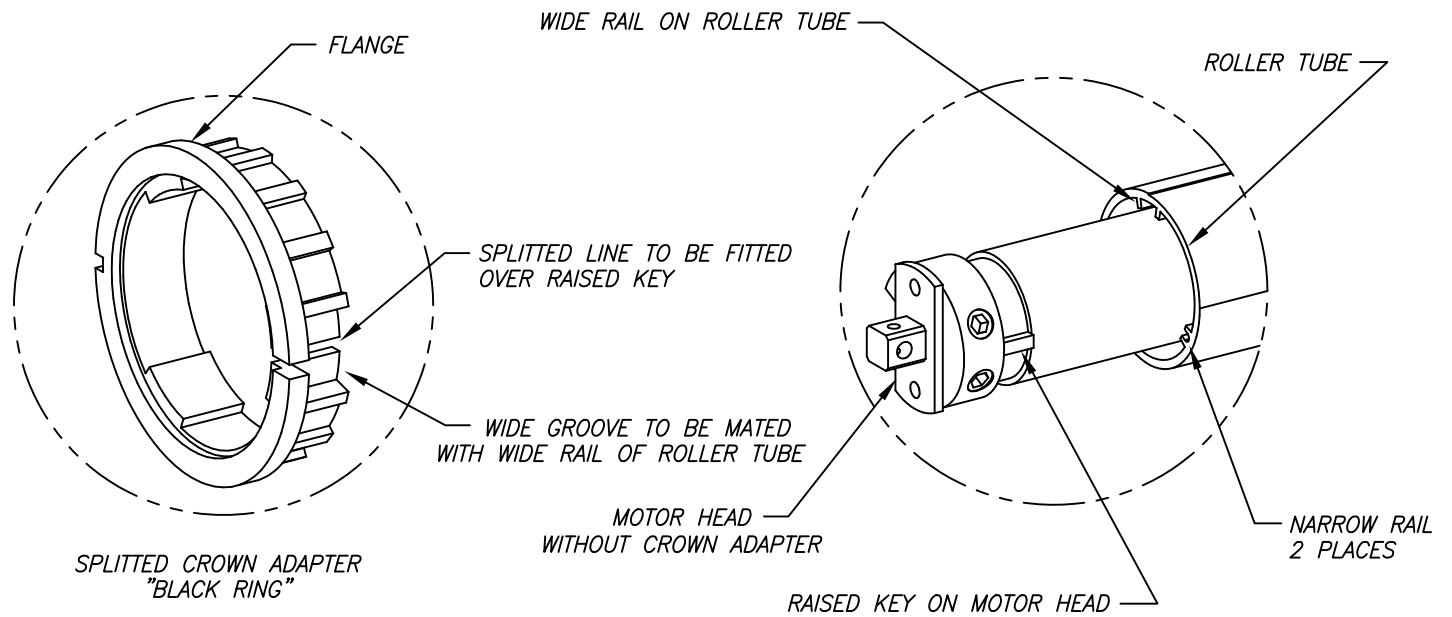
WIRING CONNECTIONS

- PIN 1 - YEL/GRN*
- PIN 2 - BLUE*
- PIN 3 - BROWN*
- PIN 4 - BLACK*

VUTEC CORPORATION

11711 W. SAMPLE ROAD. CORAL SPRINGS, FL 33065

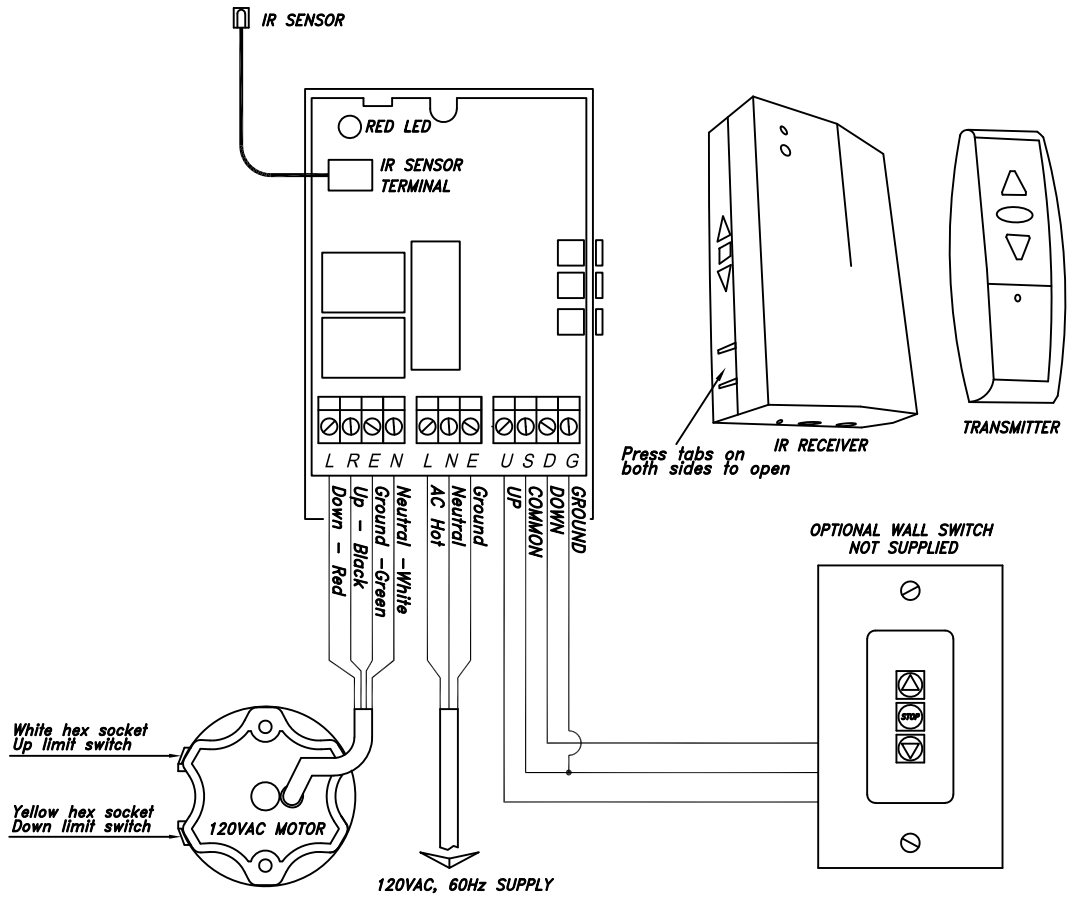
DRAWN BY <i>11/17/09 HN</i>	DESCRIPTION MOTOR & CONTROL - 230 VAC ARTSCREEN-SLIM STUDIO SERIES	DRAWING NO. SSA-SLIM_INSTL_MTR1_IR
CHECKED BY		SCALE: 1/5 REV B



ROTATE CROWN ADAPTER TO ALIGN WIDE GROOVE WITH ROLLER'S WIDE RAIL
 PUSH IN UNTIL ROLLER STOP BY CROWN ADAPTER'S FLANGE

NOTE: CROWN ADAPTER MUST BE SEATED PROPERLY IN ROLLER TUBE TO TRACK THE UPPER & LOWER LIMITS.

VUTEC CORPORATION		
11711 W. SAMPLE ROAD. CORAL SPRINGS, FL 33065		
DRAWN BY	DESCRIPTION	DRAWING NO.
10/19/11 TM	MOTOR & ROLLER ASSEMBLY	SSA-SLIM_INSTL_MTR2
CHECKED BY	ARTSCREEN-SLIM STUDIO SERIES	SCALE: 1/4
		REV B



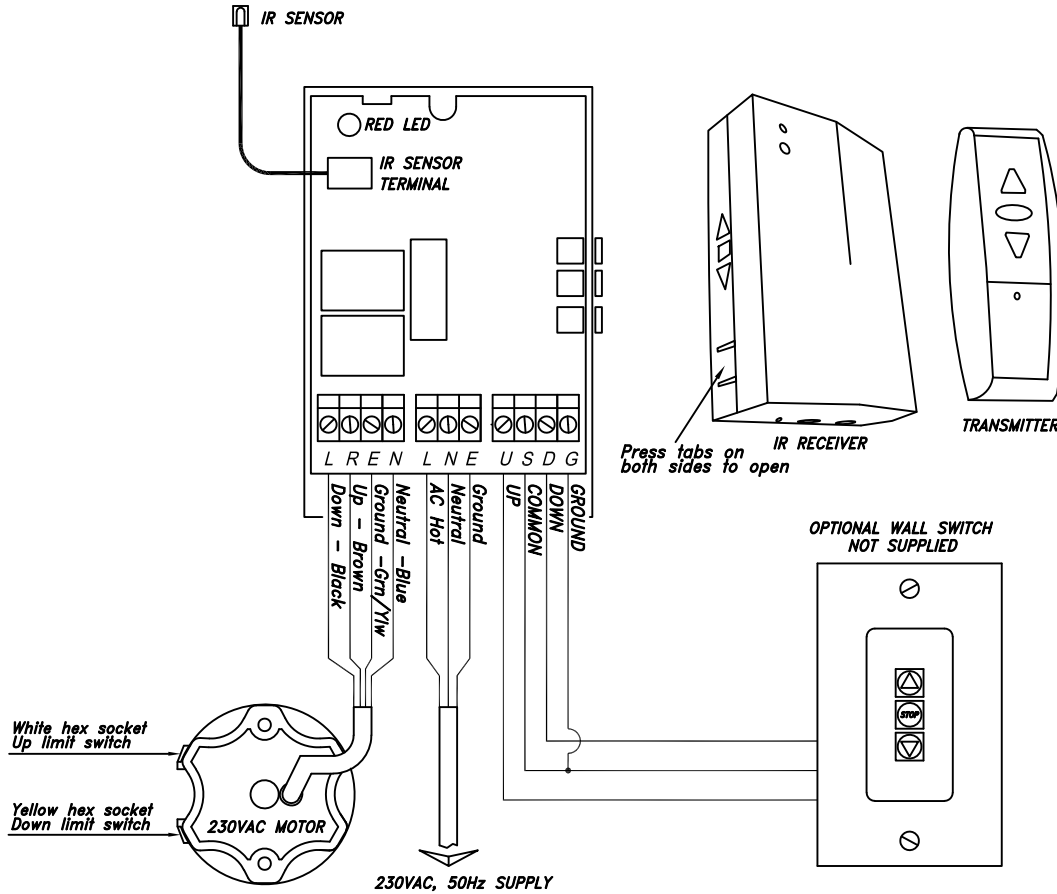
KIT 01-EVIR110

NOTES:

- 1 - THE IR REMOTE CONTROL KIT CONSISTS OF ONE IR RECEIVER AND ONE IR TRANSMITTER. BATTERY IS INCLUDED WITH THE TRANSMITTER.
- 2 - THE 3-BUTTON LOW VOLTAGE WALL SWITCH IS AN OPTION AND NOT INCLUDED. THREE WIRES OF 24 GAUGE (0.6mm) ARE REQUIRED FOR CONNECTIONS. MAXIMUM DISTANCE BETWEEN THE RECEIVER AND THE WALL SWITCH IS 100 FEET (30m).
- 3 - THE IR CONTROL KIT IS PRE-WIRED AT THE FACTORY; NO WIRING IS REQUIRED!
- 4 - PRESS ARROW UP BUTTON ON THE TRANSMITTER TO OPEN THE ARTWORK.
- 5 - PRESS ARROW DOWN BUTTON ON THE TRANSMITTER TO CLOSE THE ARTWORK.
- 6 - THE CENTER BUTTON IS A STOP BUTTON.
- 7 - TRANSMITTER RANGE IS 50 FEET (15m) MAXIMUM WHEN AIMING DIRECTLY AT THE IR SENSOR.

RED PC BOARD

VUTEC CORPORATION		
11711 W. SAMPLE ROAD. CORAL SPRINGS, FL 33065		
DRAWN BY	DESCRIPTION	DRAWING NO.
11/17/09 HN	IR CONTROL KIT - 120VAC ARTSCREEN - STUDIO SERIES	CNA-IR_CONTROL
CHECKED BY		SCALE: 1/4
		REV A



KIT 01-EVIR220

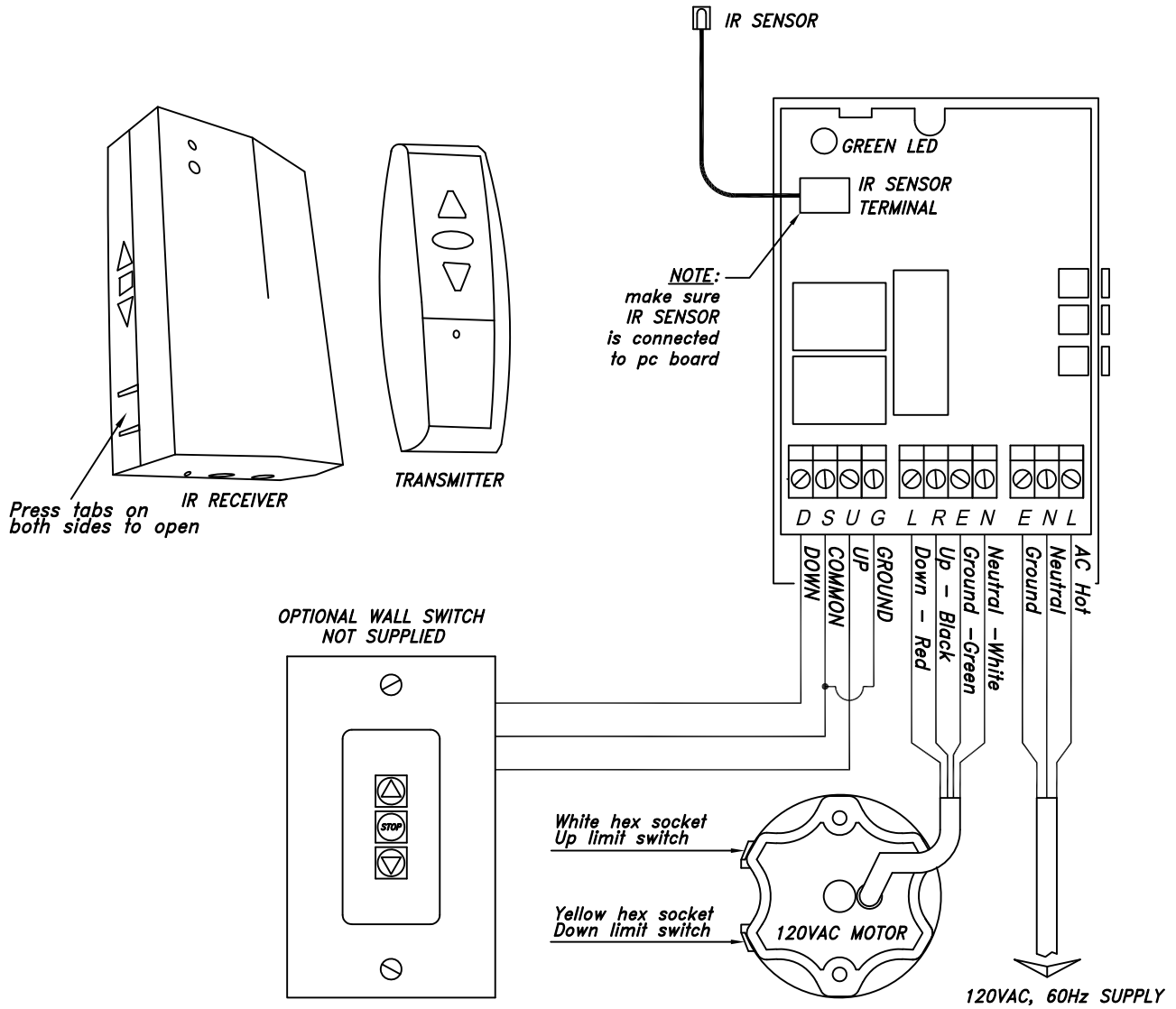
- 1 - THE IR REMOTE CONTROL KIT CONSISTS OF ONE IR RECEIVER AND ONE IR TRANSMITTER. BATTERY IS INCLUDED WITH THE TRANSMITTER.
- 2 - THE 3-BUTTON LOW VOLTAGE WALL SWITCH IS AN OPTION AND NOT INCLUDED. THREE WIRES OF 24 GAUGE (0.6mm) ARE REQUIRED FOR CONNECTIONS. MAXIMUM DISTANCE BETWEEN THE RECEIVER AND THE WALL SWITCH IS 100 FEET (30m).
- 3 - THE IR CONTROL KIT IS PRE-WIRED AT THE FACTORY; NO WIRING IS REQUIRED!
- 4 - PRESS ARROW UP BUTTON ON THE TRANSMITTER TO OPEN THE ARTWORK.
- 5 - PRESS ARROW DOWN BUTTON ON THE TRANSMITTER TO CLOSE THE ARTWORK.
- 6 - THE CENTER BUTTON IS A STOP BUTTON.
- 7 - TRANSMITTER RANGE IS 50 FEET (15m) MAXIMUM WHEN AIMING DIRECTLY AT THE IR SENSOR.

RED PC BOARD

VUTEC CORPORATION

11711 W. SAMPLE ROAD. CORAL SPRINGS, FL 33065

DRAWN BY 11/17/09 HN	DESCRIPTION IR CONTROL KIT - 230VAC ARTSCREEN - STUDIO SERIES	DRAWING NO. CNA-IR_CONTROL
CHECKED BY		SCALE: 1/4 REV A



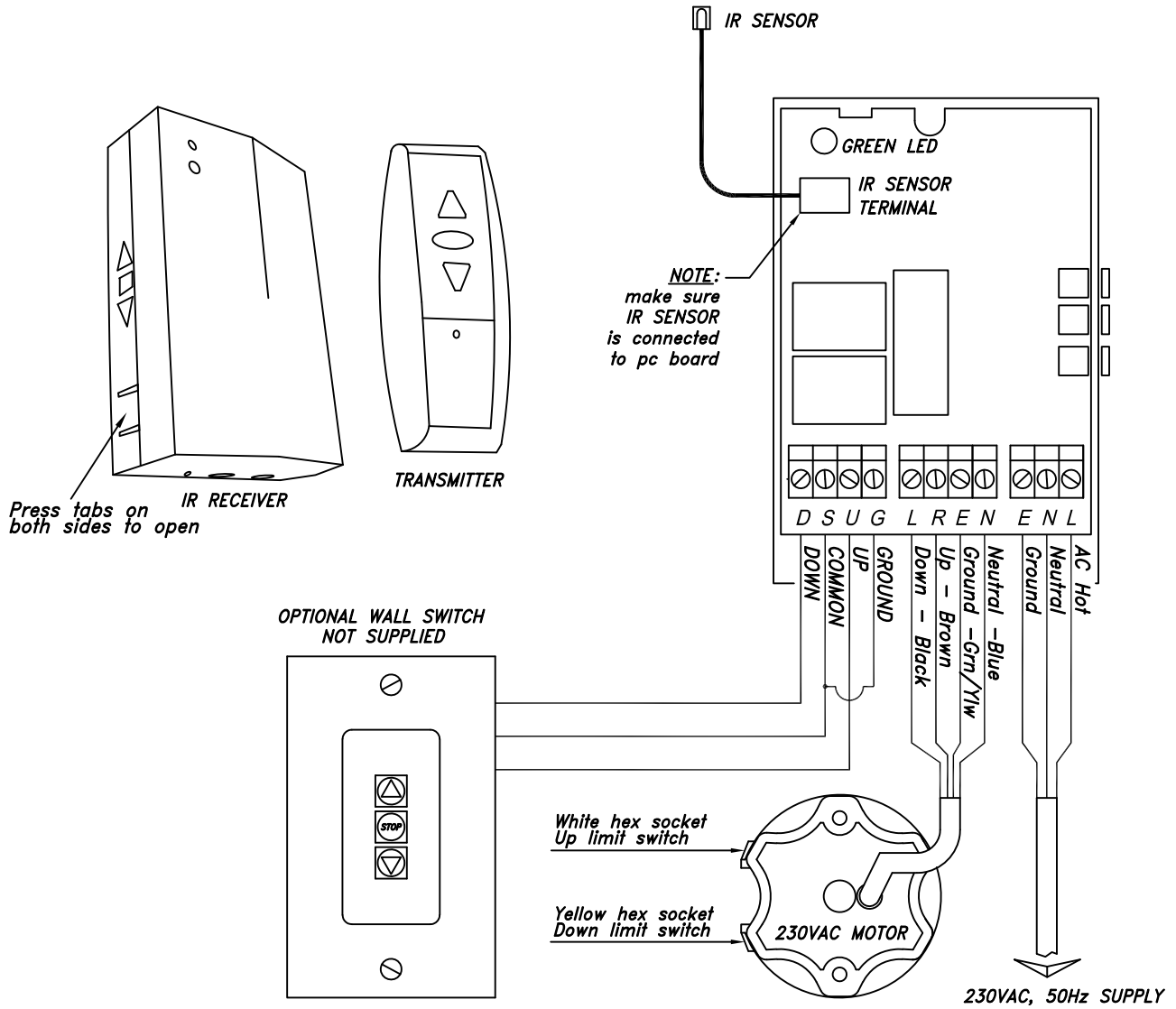
KIT 01-EVIR110

NOTES:

- 1 - THE IR REMOTE CONTROL KIT CONSISTS OF ONE IR RECEIVER AND ONE IR TRANSMITTER. BATTERY IS INCLUDED WITH THE TRANSMITTER.
- 2 - THE 3-BUTTON LOW VOLTAGE WALL SWITCH IS AN OPTION AND NOT INCLUDED. THREE WIRES OF 24 GAUGE (0.6mm) ARE REQUIRED FOR CONNECTIONS. MAXIMUM DISTANCE BETWEEN THE RECEIVER AND THE WALL SWITCH IS 100 FEET (30m).
- 3 - THE IR CONTROL KIT IS PRE-WIRED AT THE FACTORY; NO WIRING IS REQUIRED!
- 4 - PRESS ARROW UP BUTTON ON THE TRANSMITTER TO OPEN THE ARTWORK.
- 5 - PRESS ARROW DOWN BUTTON ON THE TRANSMITTER TO CLOSE THE ARTWORK.
- 6 - THE CENTER BUTTON IS A STOP BUTTON.
- 7 - TRANSMITTER RANGE IS 50 FEET (15m) MAXIMUM WHEN AIMING DIRECTLY AT THE IR SENSOR.

GREEN PC BOARD

<p>THE INFORMATION CONTAINED IN THIS DRAWING IS THE SOLE PROPERTY OF VUTEC CORPORATION AND REPRODUCTION IN PART OR AS A WHOLE WITHOUT THE WRITTEN PERMISSION OF VUTEC CORPORATION IS PROHIBITED</p>		<p>VUTEC CORPORATION 11711 W. SAMPLE ROAD. CORAL SPRINGS, FL 33065</p>	
<p>DRAWN BY 12/31/13 TM</p>	<p>CHECKED BY</p>	<p>DESCRIPTION IR CONTROL KIT - 120VAC ARTSCREEN - STUDIO SERIES</p>	<p>DRAWING NO. CNA-IR_CONTROL</p>
		<p>SCALE: 1/4</p>	<p>REV B</p>



KIT 01-EVIR220

- 1 - THE IR REMOTE CONTROL KIT CONSISTS OF ONE IR RECEIVER AND ONE IR TRANSMITTER. BATTERY IS INCLUDED WITH THE TRANSMITTER.
- 2 - THE 3-BUTTON LOW VOLTAGE WALL SWITCH IS AN OPTION AND NOT INCLUDED. THREE WIRES OF 24 GAUGE (0.6mm) ARE REQUIRED FOR CONNECTIONS. MAXIMUM DISTANCE BETWEEN THE RECEIVER AND THE WALL SWITCH IS 100 FEET (30m).
- 3 - THE IR CONTROL KIT IS PRE-WIRED AT THE FACTORY; NO WIRING IS REQUIRED!
- 4 - PRESS ARROW UP BUTTON ON THE TRANSMITTER TO OPEN THE ARTWORK.
- 5 - PRESS ARROW DOWN BUTTON ON THE TRANSMITTER TO CLOSE THE ARTWORK.
- 6 - THE CENTER BUTTON IS A STOP BUTTON.
- 7 - TRANSMITTER RANGE IS 50 FEET (15m) MAXIMUM WHEN AIMING DIRECTLY AT THE IR SENSOR.

GREEN PC BOARD

<p>THE INFORMATION CONTAINED IN THIS DRAWING IS THE SOLE PROPERTY OF VUTEC CORPORATION AND REPRODUCTION IN PART OR AS A WHOLE WITHOUT THE WRITTEN PERMISSION OF VUTEC CORPORATION IS PROHIBITED</p>		<h2>VUTEC CORPORATION</h2> <p>11711 W. SAMPLE ROAD. CORAL SPRINGS, FL 33065</p>	
<p>DRAWN BY</p> <p>12/31/13 TM</p>	<p>DESCRIPTION</p> <p>IR CONTROL KIT - 230VAC ARTSCREEN - STUDIO SERIES</p>	<p>DRAWING NO.</p> <p>CNA-IR_CONTROL</p>	<p>SCALE: 1/4</p>
<p>CHECKED BY</p>		<p>REV</p> <p>B</p>	