

STEP 1

- 1 - DETERMINE THE HOUSING LENGTH. INSTALL THE FOUR WALL MOUNT BRACKETS. BE SURE THE TWO END BRACKETS MUST BE BETWEEN 4 TO 6 INCHES FROM END OF HOUSING FOR PROPER SUPPORT.
- 2 - INSTALLERS MUST DETERMINE PROPER WALL ANCHORS IF THE SCREWS SUPPLIED ARE NOT SUITABLE FOR THE INSTALLTION.
- 3 - BE SURE ALL THE WALL MOUNT BRACKETS ARE INLINE AND LEVELED.
- 4 - HANG THE SCREEN ONTO THE WALL MOUNT BRACKETS. MOVE SCREEN SIDE TO SIDE AS DESIRED. SEE STEP 2.
- 5 - MUST TIGHTEN THE #10-32 SCREWS TO LOCK THE HOUSING IN PLACED.
- 6 - ADD TOP SUPPORT BRACKETS TO HOUSING AS SHOWN. LOCATIONS SHOULD BE THE SAME AS WALL MOUNT BRACKETS. TIGHTEN #10-32 SCREWS OF EACH BRACKET.
- 7 - INSTALL THE SCREWS TO SECURE SUPPORT BRACKETS TO THE WALL.

HOUSING LENGTH FOR TAB-TENSIONED SCREEN
VIEWING WIDTH + 19 1/4

VUTEC CORPORATION		
11711 W. SAMPLE ROAD. CORAL SPRINGS, FL 33065		
DRAWN BY	DESCRIPTION	DRAWING NO.
11/18/08 HN	WALL INSTALLATION LECTRIC I-C & III-C	LIHD-INSTL
CHECKED BY		SCALE: 1/12
		REV A

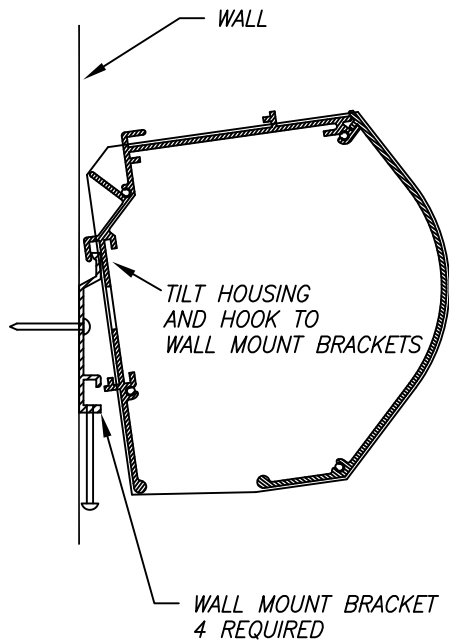


FIGURE 1

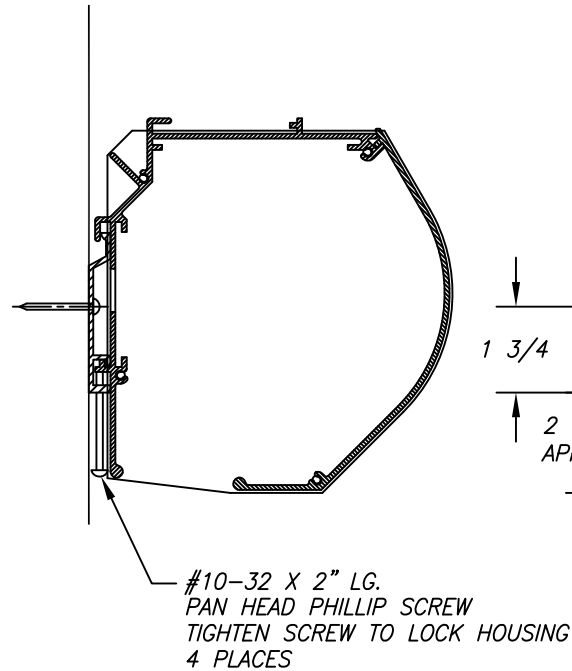


FIGURE 2

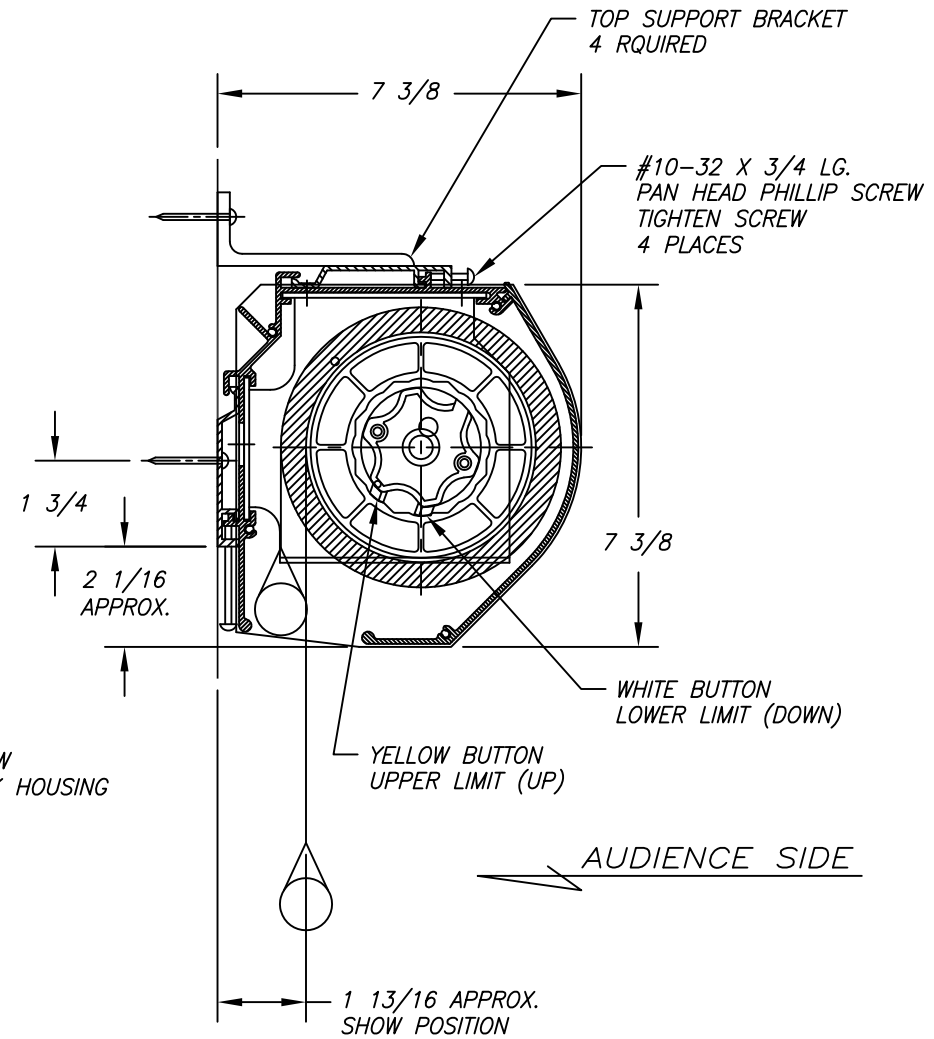
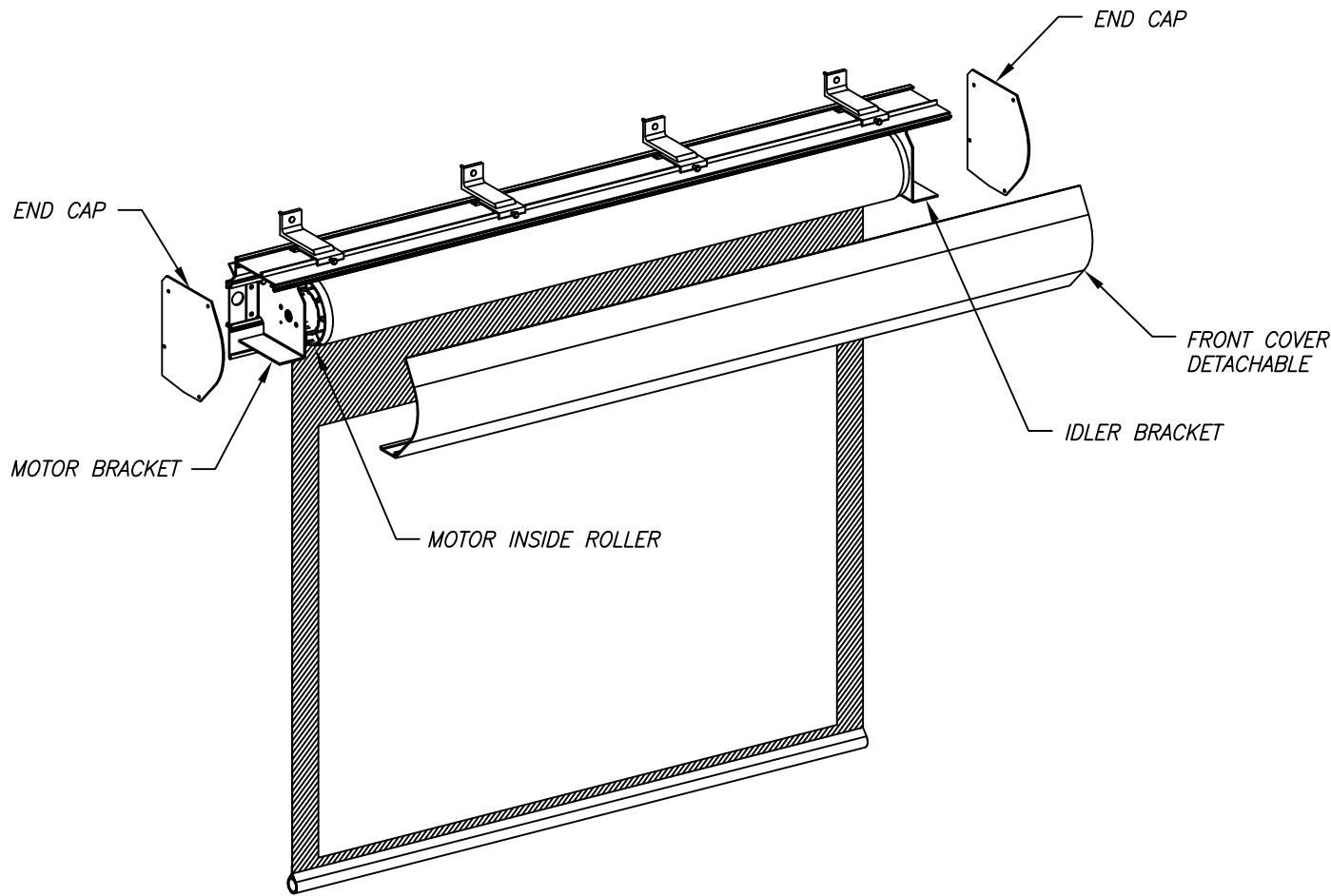


FIGURE 3

STEP 2

- 1 - BE SURE ALL WALL MOUNT BRACKETS ARE INLINE AND LEVELED.
- 2 - TILT HOUSING AT A SLIGHT ANGLE AND HOOK IT TO WALL MOUNT BRACKETS AS SHOWN IN FIGURE 1.
- 3 - HOUSING SHOULD BE SIT AND HANG STRAIGHT DOWN OF WALL AS SHOWN IN FIGURE 2.
- 4 - BE SURE TO TIGHTEN SCREWS TO LOCK HOUSING IN PLACE.
- 5 - REMOVE LEFT SIDE END CAP TO REVEAL MOTOR WIRINGS.
- 6 - REVIEW WIRING DIAGRAM AND PREPARE ELECTRICAL CONNECTIONS.
A 4-CONDUCTOR PIGTAIL MAY BE REPLACED WITH NEW 4-CONDUCTOR FOR ONE CONTINUOUS CONNECTION TO THE WALL SWITCH.

VUTEC CORPORATION		
11711 W. SAMPLE ROAD. CORAL SPRINGS, FL 33065		
DRAWN BY	DESCRIPTION	DRAWING NO.
11/18/08 HN	WALL INSTALLATION LECTRIC I-C & III-C	LIHD-INSTL
CHECKED BY		SCALE: 1/12
		REV A

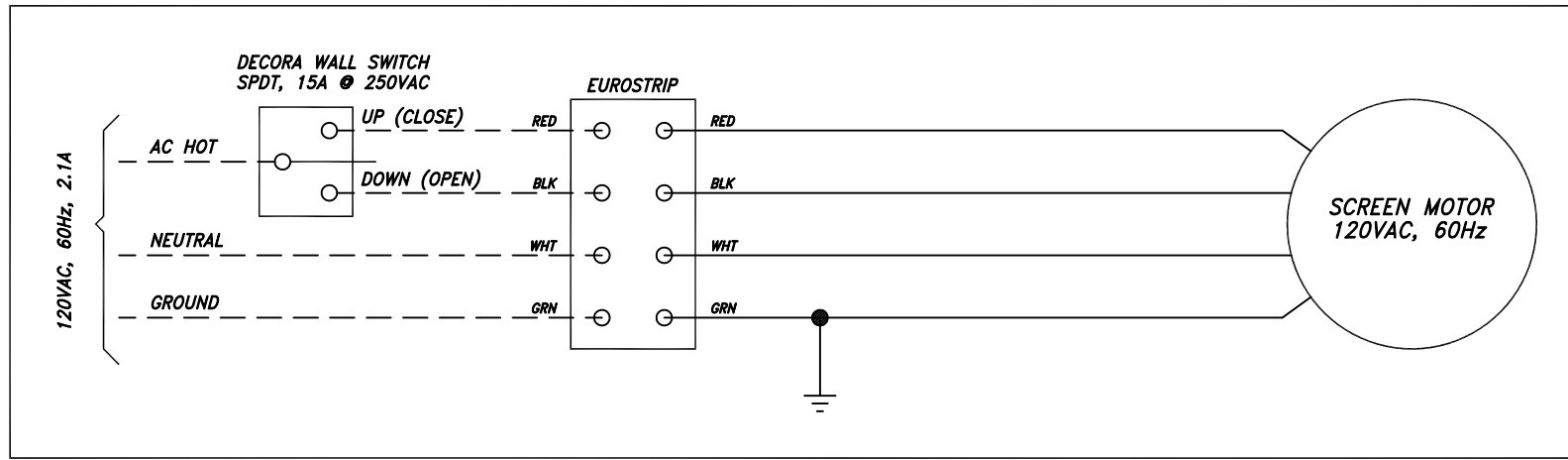


SERVICING THE MOTOR OR RELACING NEW SCREEN ROLLER

- 1 - WARNING: THE FOLLOWING STEPS SHOULD NOT BE DONE UNLESS ALL WALL MOUNT BRACKETS AND TOP SUPPORT BRACKETS ARE INSTALLED.
- 2 - REMOVE THE END CAPS WHILE SUPPORTING THE FRONT COVER.
- 3 - DETACH THE FRONT COVER FROM THE HOUSING.
- 4 - TURN OFF POWER TO THE SCREEN AND DISCONNECT MOTOR WIRES FROM TERMINAL STRIP.
- 5 - SUPPORT THE ROLLER WHILE LOOSEN THE SET SCREWS OF THE IDLER BRACKET. SLIDE IT TOWARD THE RIGHT END TO CLEAR THE ROLLER SHAFT.
- 6 - MOVE THE ROLLER INCLUDING THE MOTOR SLIGHTLY TO THE RIGHT; THE MOTOR HEAD SHOULD BECOME CLEAR OF ITS BRACKET.
- 7 - LOWER THE COMPLETE ROLLER TO A SAFE WORKING LEVEL. THE MOTOR MAY BE PULLED OUT OF THE ROLLER TUBE.

- 8 - REVERSING THE STEPS TO REINSTALL THE COMPLETE ROLLER ASSEMBLY.
- 9 - BE SURE THE MOTOR LIMIT BUTTONS FACING THE OPENING OF THE HOUSING WHEN PLACING IT BACK. SEE FIGURE 3 OF STEP 2.

VUTEC CORPORATION		
11711 W. SAMPLE ROAD. CORAL SPRINGS, FL 33065		
DRAWN BY	DESCRIPTION	DRAWING NO.
11/18/08 HN	WALL INSTALLATION LECTRIC I-C & III-C	LIHD-INSTL
CHECKED BY		SCALE: 1/12
		REV A

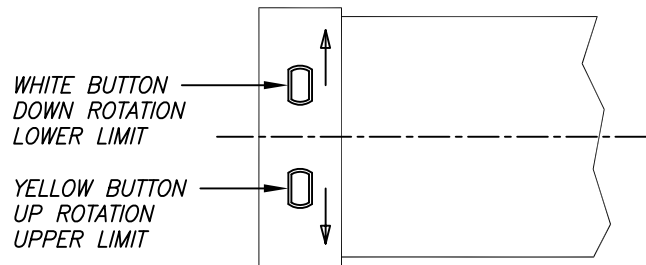


PUSH BUTTON FEATURES

- 1 - BUTTON PRESSED IN; LIMIT SWITCH IS NOT ENGAGED; NO STOPPING POINT DEFINED. FREE RUNNING.
- 2 - BUTTON POPPED OUT; LIMIT SWITCH HAS BEEN ENGAGED; STOPPING POINT IS DEFINED.

LIMIT SWITCH ADJUSTMENTS

- 1 - PRESS THE YELLOW BUTTON IN TO CHANGE THE UPPER LIMIT.
- 2 - SEND THE SCREEN UP; STOP THE SCREEN AT THE DESIRED UPPER LIMIT.
- 3 - PRESS THE YELLOW BUTTON TO MAKE IT POPS OUT. UPPER LIMIT IS DEFINED.
- 4 - PRESS THE WHITE BUTTON IN TO CHANGE THE LOWER LIMIT.
- 5 - SEND THE SCREEN DOWN; STOP THE SCREEN AT THE DESIRED LOWER LIMIT.
- 6 - PRESS THE WHITE BUTTON TO MAKE IT POPS OUT. LOWER LIMIT IS DEFINED.
- 7 - REPEAT THE STEPS AS OFTEN TO SATISFY THE CHANGE REQUIREMENTS.



MOTOR LIMIT SWITCHES
PUSH BUTTON TYPE

NOTES:

- 1 - WIRINGS MUST CONFORM TO NATIONAL AND/OR ELECTRICAL CODES AND REGULATIONS.
- 2 - DASHED LINES SHOWN WIRINGS BY INSTALLERS.
- 3 - ALL WIRINGS MUST BE OF MINIMUM 18 AWG (OR EQUIVALENT).
- 4 - MOTOR: 550R2, 120VAC, 2.1A, 60Hz, 14RPM, 1PH.
- 5 - STANDARD CONTROL: SPDT WALL SWITCH, 15A @ 250VAC (SUPPLIED).
- 6 - OPTIONAL CONTROL: IR OR RF REMOTE CONTROL. RELAY TRIGGER CONTROL. CONSULT VUTEC DEALERS FOR DETAILS.

VUTEC CORPORATION

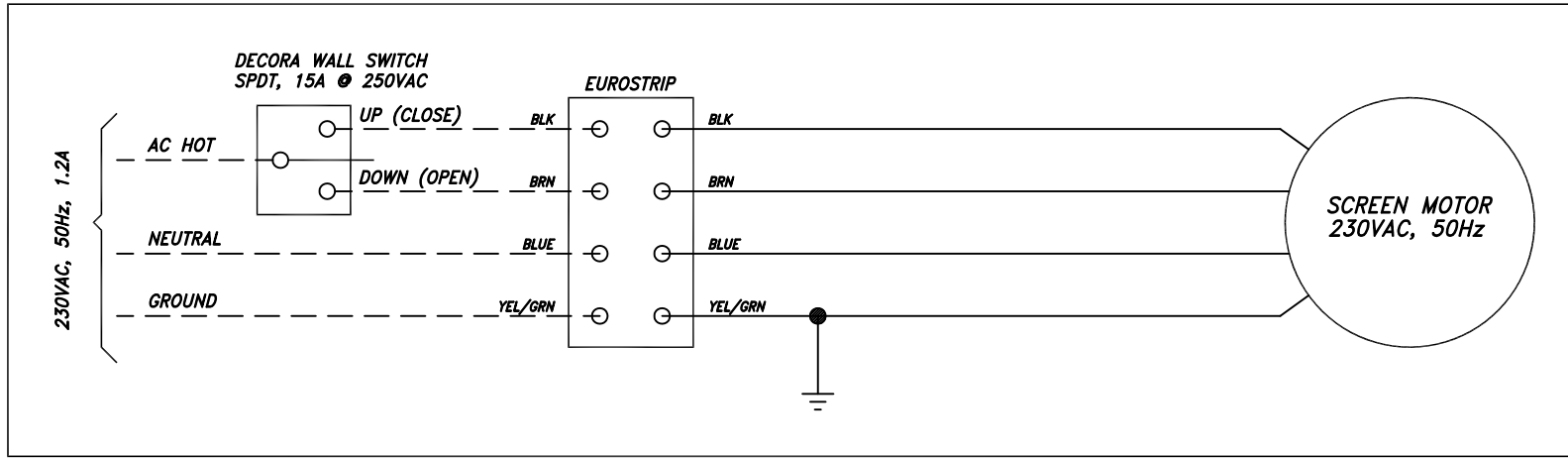
11711 W. SAMPLE ROAD. CORAL SPRINGS, FL 33065

DRAWN BY
11/18/08 HN
CHECKED BY

DESCRIPTION
WIRING DIAGRAM - 120VAC
LECTRIC I-C & III-C

DRAWING NO.
LIHD-INSTL_SCH_ALL

SCALE: 1/2
REV A

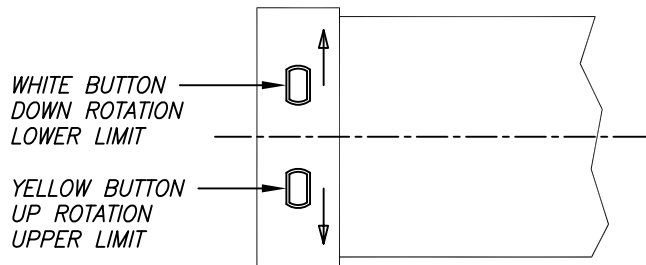


PUSH BUTTON FEATURES

- 1 - BUTTON PRESSED IN; LIMIT SWITCH IS NOT ENGAGED; NO STOPPING POINT DEFINED. FREE RUNNING.
- 2 - BUTTON POPPED OUT; LIMIT SWITCH HAS BEEN ENGAGED; STOPPING POINT IS DEFINED.

LIMIT SWITCH ADJUSTMENTS

- 1 - PRESS THE YELLOW BUTTON IN TO CHANGE THE UPPER LIMIT.
- 2 - SEND THE SCREEN UP; STOP THE SCREEN AT THE DESIRED UPPER LIMIT.
- 3 - PRESS THE YELLOW BUTTON TO MAKE IT POPS OUT. UPPER LIMIT IS DEFINED.
- 4 - PRESS THE WHITE BUTTON IN TO CHANGE THE LOWER LIMIT.
- 5 - SEND THE SCREEN DOWN; STOP THE SCREEN AT THE DESIRED LOWER LIMIT.
- 6 - PRESS THE WHITE BUTTON TO MAKE IT POPS OUT. LOWER LIMIT IS DEFINED.
- 7 - REPEAT THE STEPS AS OFTEN TO SATISFY THE CHANGE REQUIREMENTS.



MOTOR LIMIT SWITCHES
PUSH BUTTON TYPE

NOTES:

- 1 - WIRINGS MUST CONFORM TO NATIONAL AND/OR ELECTRICAL CODES AND REGULATIONS.
- 2 - DASHED LINES SHOWN WIRINGS BY INSTALLERS.
- 3 - ALL WIRINGS MUST BE OF MINIMUM 18 AWG (OR EQUIVALENT).
- 4 - MOTOR: 550R1, 230VAC, 1.2A, 50Hz, 12RPM, 1PH.
- 5 - STANDARD CONTROL: SPDT WALL SWITCH, 15A @ 250VAC (SUPPLIED).
- 6 - OPTIONAL CONTROL: IR OR RF REMOTE CONTROL. RELAY TRIGGER CONTROL. CONSULT VUTEC DEALERS FOR DETAILS.

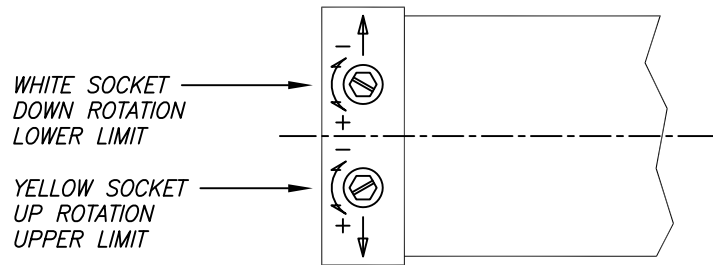
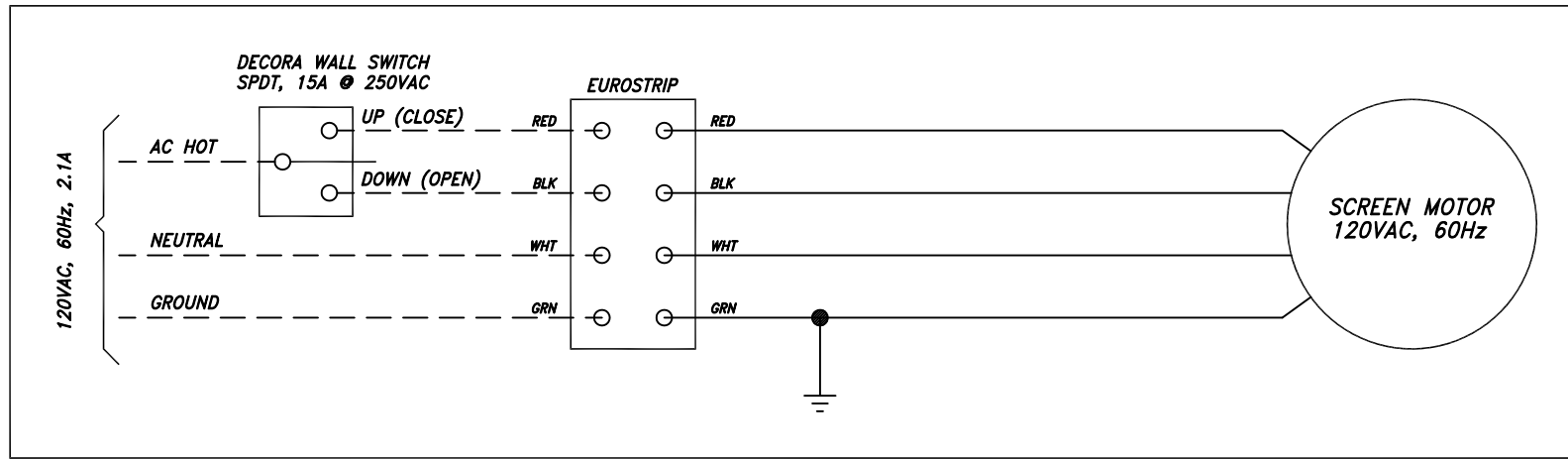
VUTEC CORPORATION

11711 W. SAMPLE ROAD. CORAL SPRINGS, FL 33065

DRAWN BY
11/18/08 HN
CHECKED BY

DESCRIPTION
WIRING DIAGRAM - 230VAC
LECTRIC I-C & III-C

DRAWING NO.
LIHD-INSTL_SCH_ALL
SCALE: 1/2
REV A



MOTOR LIMIT SWITCHES

USE 5/32 HEX KEY
OR 1/8 WIDE FLAT BLADE SCREWDRIVER TO TURN

LIMIT SWITCH ADJUSTMENTS

- 1 - NORMALLY, USER DO NOT NEED TO ADJUST THE UPPER AND LOWER LIMITS OF THE SCREEN UNLESS THE MOTOR HAS BEEN SERVICED.
- 2 - NOTE EACH FULL TURN OF THE LIMIT SWITCH SOCKET WILL CAUSE THE SCREEN TO TRAVEL APPROXIMATELY 1 INCH.
- 3 - TURN EACH SWITCH SOCKET IN THE DESIRED DIRECTION TO EFFECT THE CHANGE.
- 4 - SEND THE SCREEN UP OR DOWN TO SEE THE CHANGE
- 5 - REPEAT STEP 3 AS OFTEN TO SATISFY THE CHANGE REQUIREMENTS.

NOTES:

- 1 - WIRINGS MUST CONFORM TO NATIONAL AND/OR ELECTRICAL CODES AND REGULATIONS.
- 2 - DASHED LINES SHOWN WIRINGS BY INSTALLERS.
- 3 - ALL WIRINGS MUST BE OF MINIMUM 18 AWG (OR EQUIVALENT).
- 4 - MOTOR: 550R2, 120VAC, 2.1A, 60Hz, 14RPM, 1PH.
- 5 - STANDARD CONTROL: SPDT WALL SWITCH, 15A @ 250VAC (SUPPLIED).
- 6 - OPTIONAL CONTROL: IR OR RF REMOTE CONTROL. RELAY TRIGGER CONTROL. CONSULT VUTEC DEALERS FOR DETAILS.

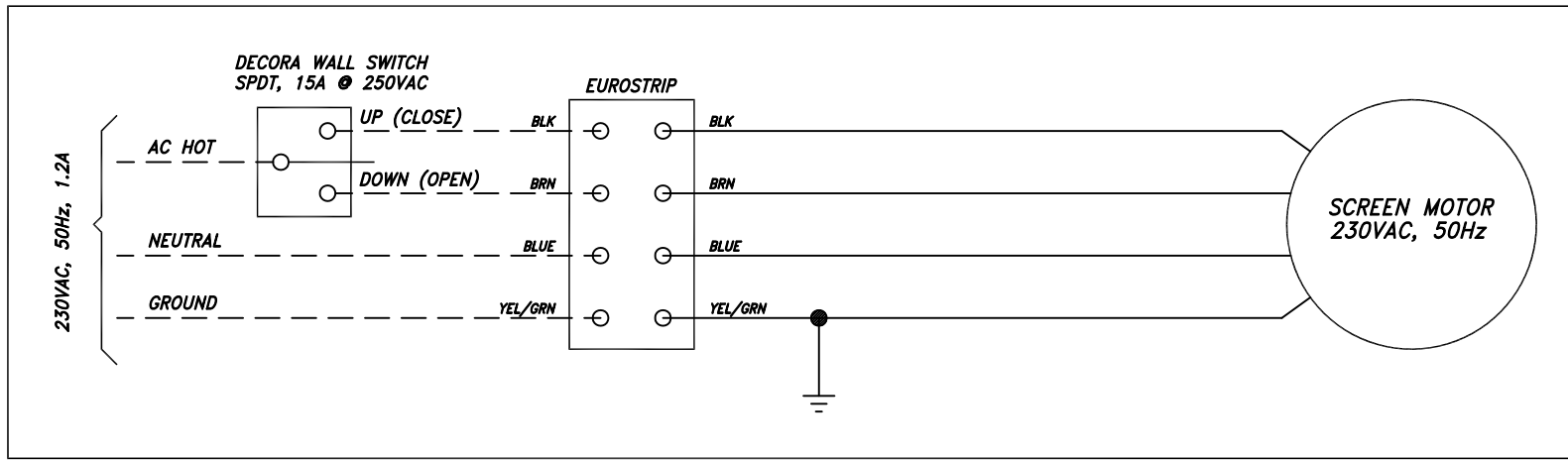
VUTEC CORPORATION

11711 W. SAMPLE ROAD. CORAL SPRINGS, FL 33065

DRAWN BY
03/03/09 HN
CHECKED BY

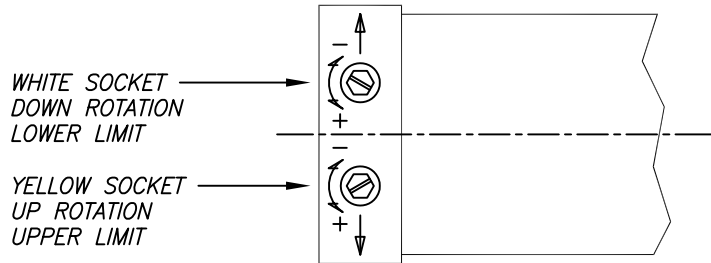
DESCRIPTION
WIRING DIAGRAM - 120VAC
LECTRIC I-C & III-C

DRAWING NO.
LIHD-INSTL_SCH_ALL
SCALE: 1/2
REV A



LIMIT SWITCH ADJUSTMENTS

- 1 - NORMALLY, USER DO NOT NEED TO ADJUST THE UPPER AND LOWER LIMITS OF THE SCREEN UNLESS THE MOTOR HAS BEEN SERVICED.
- 2 - NOTE EACH FULL TURN OF THE LIMIT SWITCH SOCKET WILL CAUSE THE SCREEN TO TRAVEL APPROXIMATELY 1 INCH.
- 3 - TURN EACH SWITCH SOCKET IN THE DESIRED DIRECTION TO EFFECT THE CHANGE.
- 4 - SEND THE SCREEN UP OR DOWN TO SEE THE CHANGE
- 5 - REPEAT STEP 3 AS OFTEN TO SATISFY THE CHANGE REQUIREMENTS.



MOTOR LIMIT SWITCHES

USE 5/32 HEX KEY
OR 1/8 WIDE FLAT BLADE SCREWDRIVER TO TURN

NOTES:

- 1 - WIRINGS MUST CONFORM TO NATIONAL AND/OR ELECTRICAL CODES AND REGULATIONS.
- 2 - DASHED LINES SHOWN WIRINGS BY INSTALLERS.
- 3 - ALL WIRINGS MUST BE OF MINIMUM 18 AWG (OR EQUIVALENT).
- 4 - MOTOR: 550R1, 230VAC, 1.2A, 50Hz, 12RPM, 1PH.
- 5 - STANDARD CONTROL: SPDT WALL SWITCH, 15A @ 250VAC (SUPPLIED).
- 6 - OPTIONAL CONTROL: IR OR RF REMOTE CONTROL. RELAY TRIGGER CONTROL. CONSULT VUTEC DEALERS FOR DETAILS.

VUTEC CORPORATION

11711 W. SAMPLE ROAD. CORAL SPRINGS, FL 33065

DRAWN BY
03/03/09 HN
CHECKED BY

DESCRIPTION
WIRING DIAGRAM - 230VAC
LECTRIC I-C & III-C

DRAWING NO.
LIHD-INSTL_SCH_ALL
SCALE: 1/2
REV A