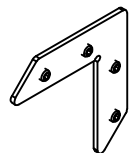


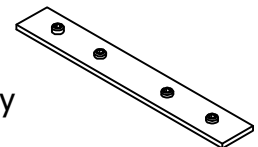
Frame Assembly and Mounting Instructions:

- 1 - Assemble horizontal frame (Item 3) and vertical frame (Item 1) sections together using corner bracket assemblies (Item 2).
Note: Depending on length of frame, splicing bracket assemblies (Item 4) may be required.
- 2 - Position assembled frame onto wall and ensure that frame is level.
- 3 - Use pre-drilled holes in frame to mark anchoring points for frame.
- 4 - Make sure that the wall is straight and plumb. If it is not you should shim the frame out from the wall to achieve this.
- 5 - Be sure to use the proper style and size of Anchor that is required by your local building code to secure the Frame to the wall and that it is flush with the wall.

Corner Bracket Assembly
(Item 2)



Splicing Bracket Assembly
(Item 4)



THE INFORMATION CONTAINED IN THIS DRAWING IS THE SOLE PROPERTY OF VUTEC CORPORATION AND REPRODUCTION IN PART OR AS A WHOLE WITHOUT THE WRITTEN PERMISSION OF VUTEC CORPORATION IS PROHIBITED

VUTEC CORPORATION

11711 W. SAMPLE ROAD, CORAL SPRINGS, FL 33065

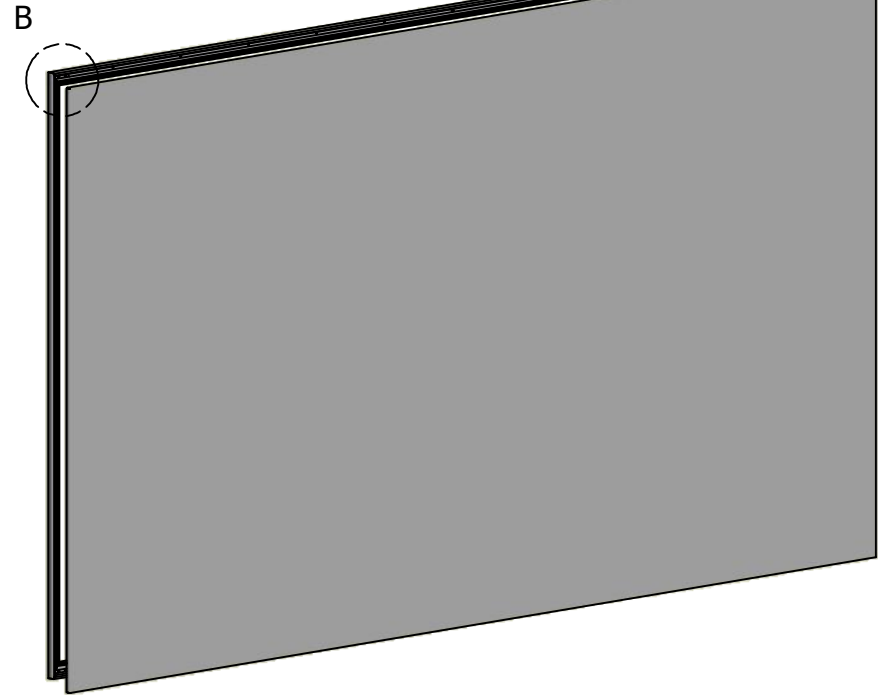
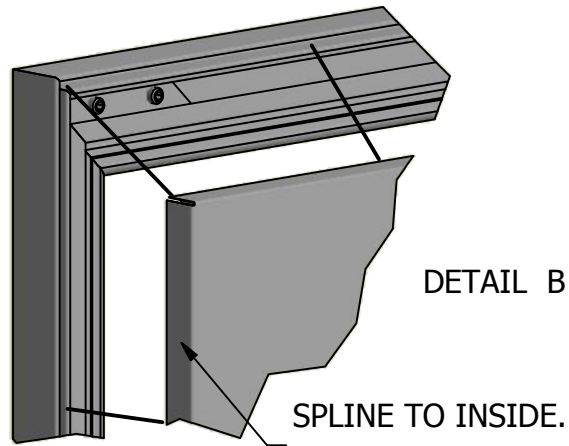
DRAWN BY **bjayp**
10/26/2017

DESCRIPTION **Stiletto Frame, Assembly and Mounting Instructions**

DRAWING NO. **Stiletto Assy & Mt Inst. Rev-A**

CHECKED BY

SCALE: **NONE** REV **A**



6 - Now that you have the frame secured to the wall the next step is attaching the screen surface.

Do not over stretch the Screen Surface

7- This problem is usually caused by not reading the instructions and starting at one corner stretching the silicone all the way to the opposite edge of the frame.

8- Tuck in the Corners and then the Centers

The correct way to install fabric on your new Stiletto Screen is to tuck in the corners. Start with the top left hand corner of the frame making sure the spline is to the inside and the corners are tight. Carefully unroll the screen across the frame and insert the top right corner tight into the frame. Then insert the bottom corners tight into the frame. Then go to the center of each side and insert the screen into the frame. Dividing the frame evenly work from the center out. This not only prevents the issue described in "Step-7" but it also helps make sure that the fabric is stretched evenly across the frame.

9- Push with tool to Slowly Work Your Wrinkles Out

It's still possible to end up with small wrinkles if you're not careful. The easiest way to correct this is to use the supplied tool to tuck in the surface slightly deeper in a problem area, work slowly. This is the proven way to prevent the fabric from bunching up and is our preferred method of installing the screen surface.

THE INFORMATION CONTAINED IN THIS DRAWING IS THE SOLE PROPERTY OF VUTEC CORPORATION AND REPRODUCTION IN PART OR AS A WHOLE WITHOUT THE WRITTEN PERMISSION OF VUTEC CORPORATION IS PROHIBITED

VUTEC CORPORATION

11711 W. SAMPLE ROAD. CORAL SPRINGS, FL 33065

DRAWN BY bjayp	DESCRIPTION Stiletto Frame, Assembly and Mounting Instructions	DRAWING NO. Stiletto Assy & Mt Inst. Rev-B
CHECKED BY SM	SCALE: NONE	REV B