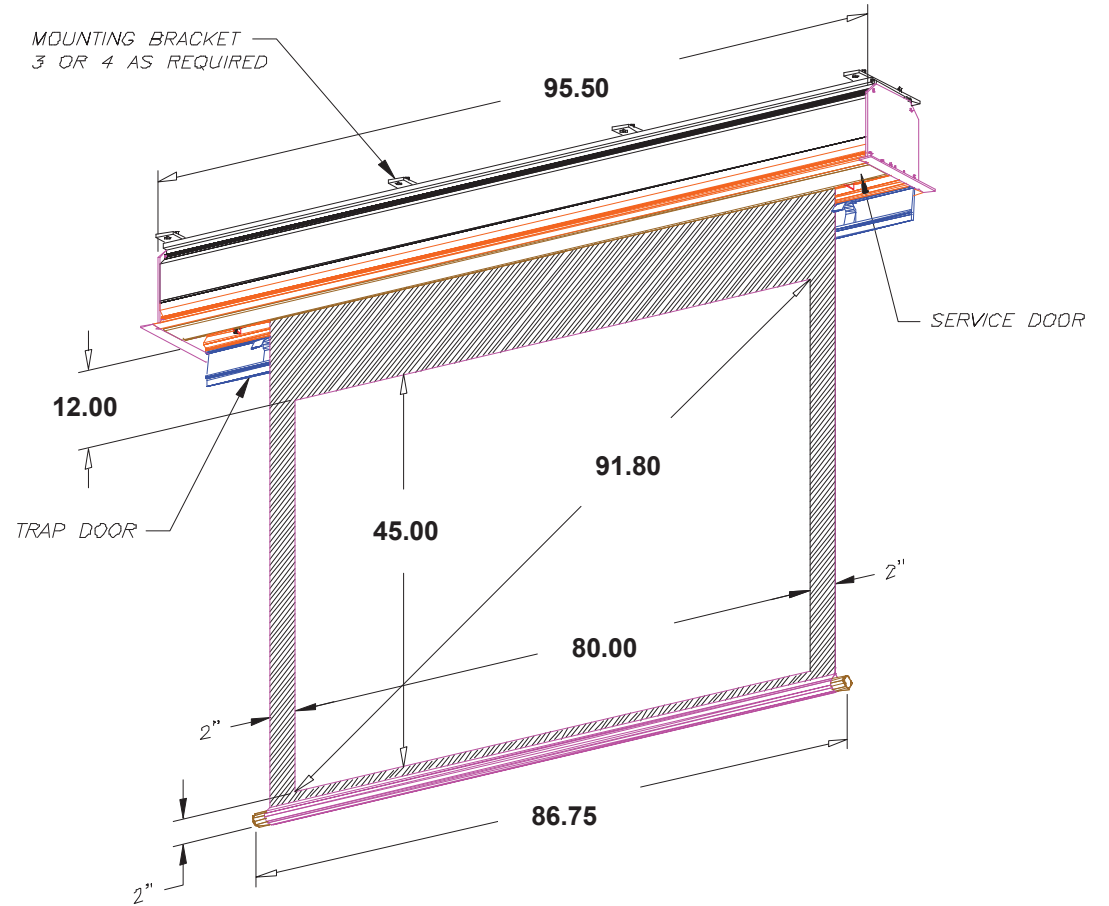
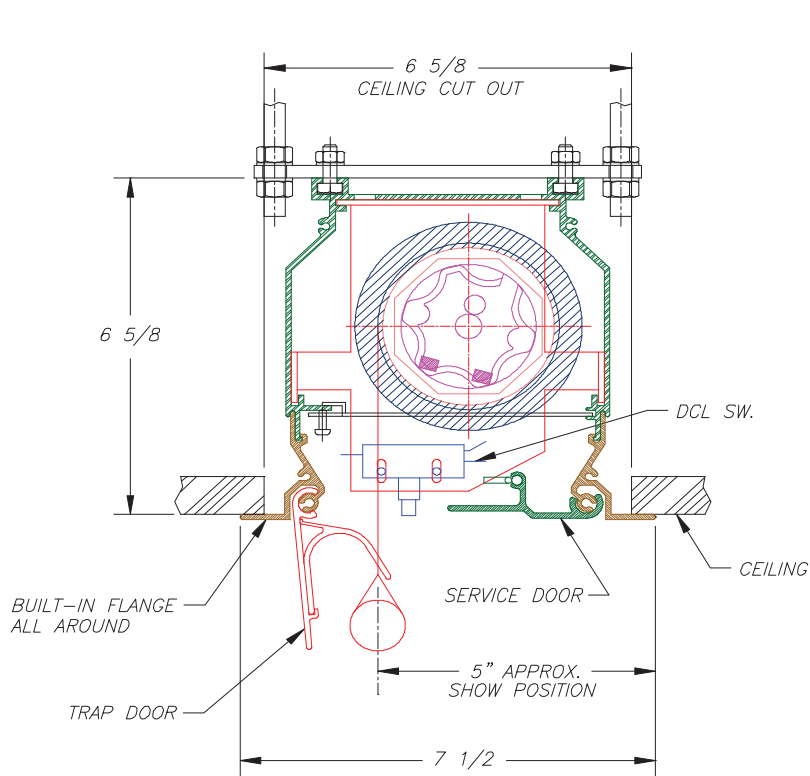


# LECTRIC 2 92"

16:9 | 92 lbs



Date: \_\_\_\_\_ Dealer: \_\_\_\_\_ Client or Project No: \_\_\_\_\_ Phone: \_\_\_\_\_ PO#: \_\_\_\_\_

Note: Approx. ceiling cut for housing length = 96"  
This quotation is valid for 30 days from the date shown.

Fabric Surface: \_\_\_\_\_ Frame Finish: \_\_\_\_\_

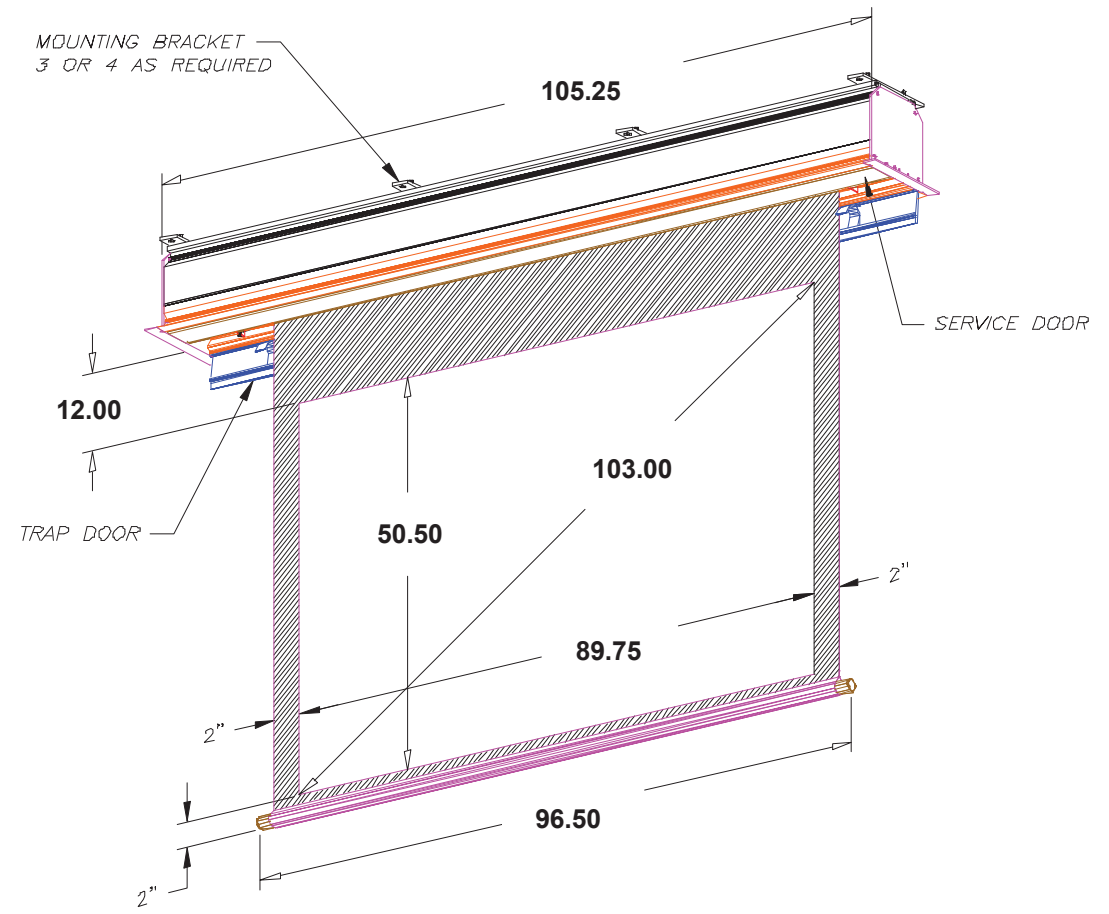
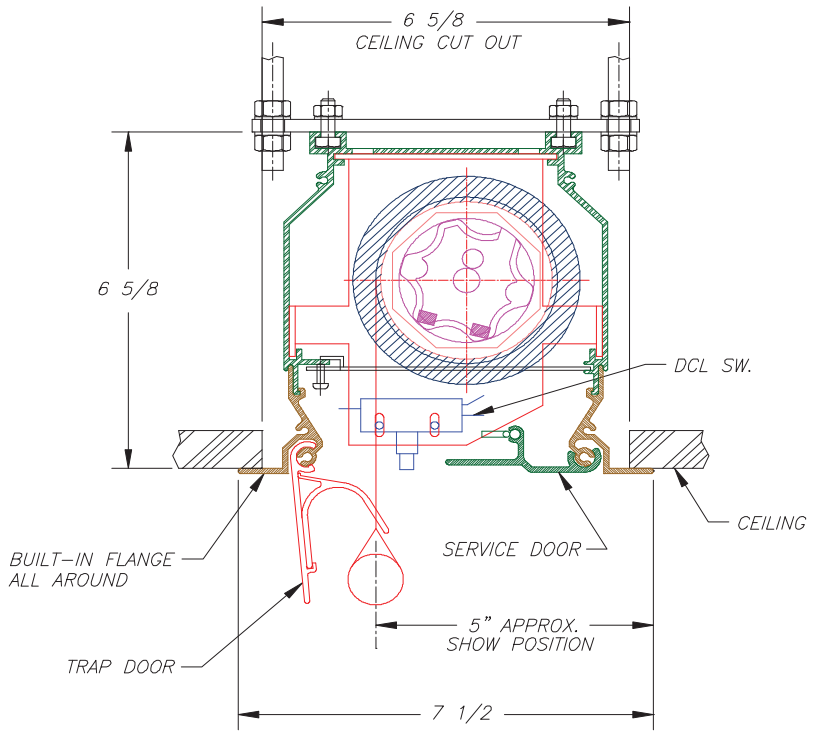


11711 W. Sample Road Coral Springs, FL 33065-3155  
T +1 (800) 770-4700 | F +1 (800) 548-5885 | T 954 545-9000 | Fax 954 545-9001  
vutec.com



# LECTRIC 2 103"

16:9 | 99 lbs



Date: \_\_\_\_\_ Dealer: \_\_\_\_\_ Client or Project No: \_\_\_\_\_ Phone: \_\_\_\_\_ PO#: \_\_\_\_\_

Note: Approx. ceiling cut for housing length = 105.75"  
This quotation is valid for 30 days from the date shown.

Fabric Surface: \_\_\_\_\_ Frame Finish: \_\_\_\_\_

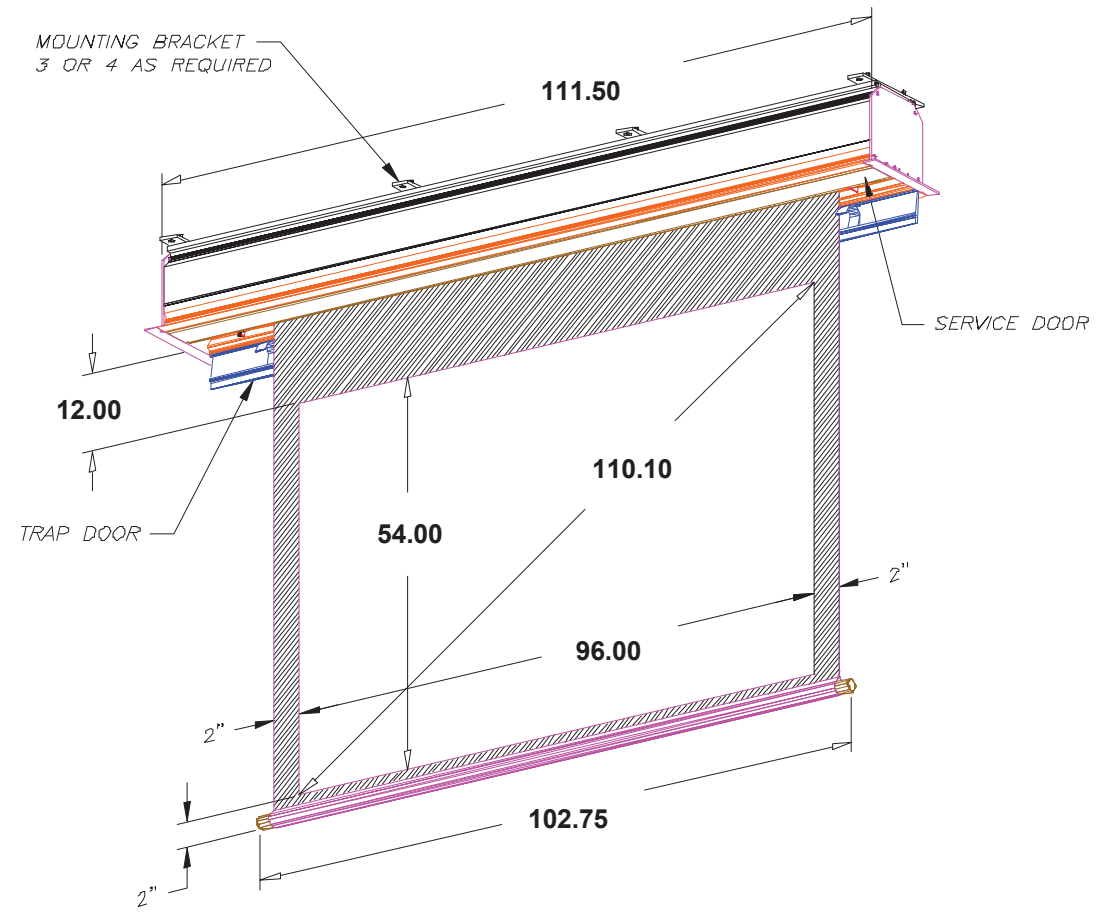
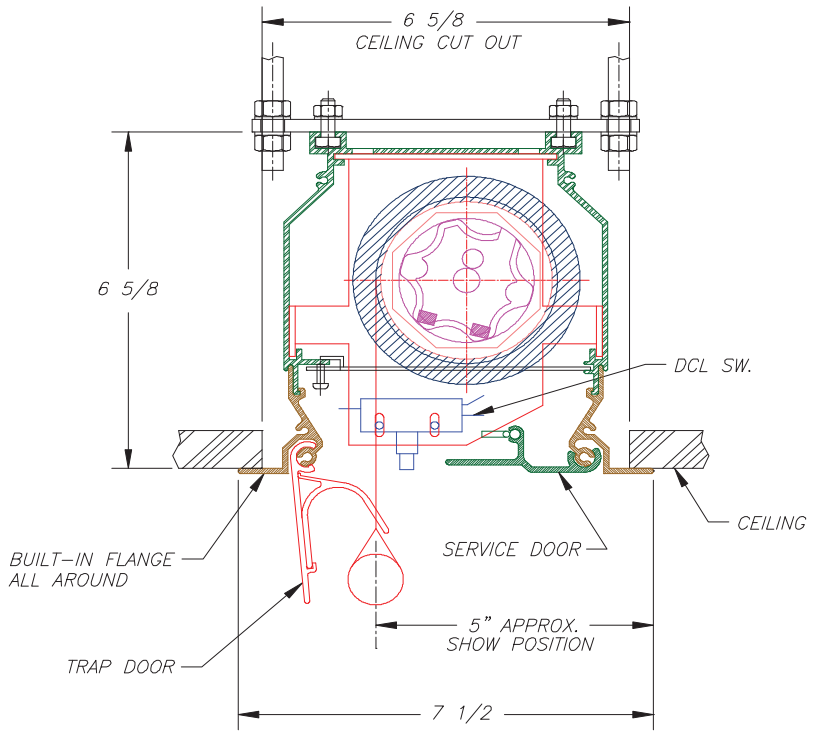


11711 W. Sample Road Coral Springs, FL 33065-3155  
T +1 (800) 770-4700 | F +1 (800) 548-5885 | T 954 545-9000 | Fax 954 545-9001  
vutec.com



# LECTRIC 2 110"

16:9 | 104 lbs



Date: \_\_\_\_\_ Dealer: \_\_\_\_\_ Client or Project No: \_\_\_\_\_ Phone: \_\_\_\_\_ PO#: \_\_\_\_\_

Note: Approx. ceiling cut for housing length = 112"  
This quotation is valid for 30 days from the date shown.

Fabric Surface: \_\_\_\_\_ Frame Finish: \_\_\_\_\_

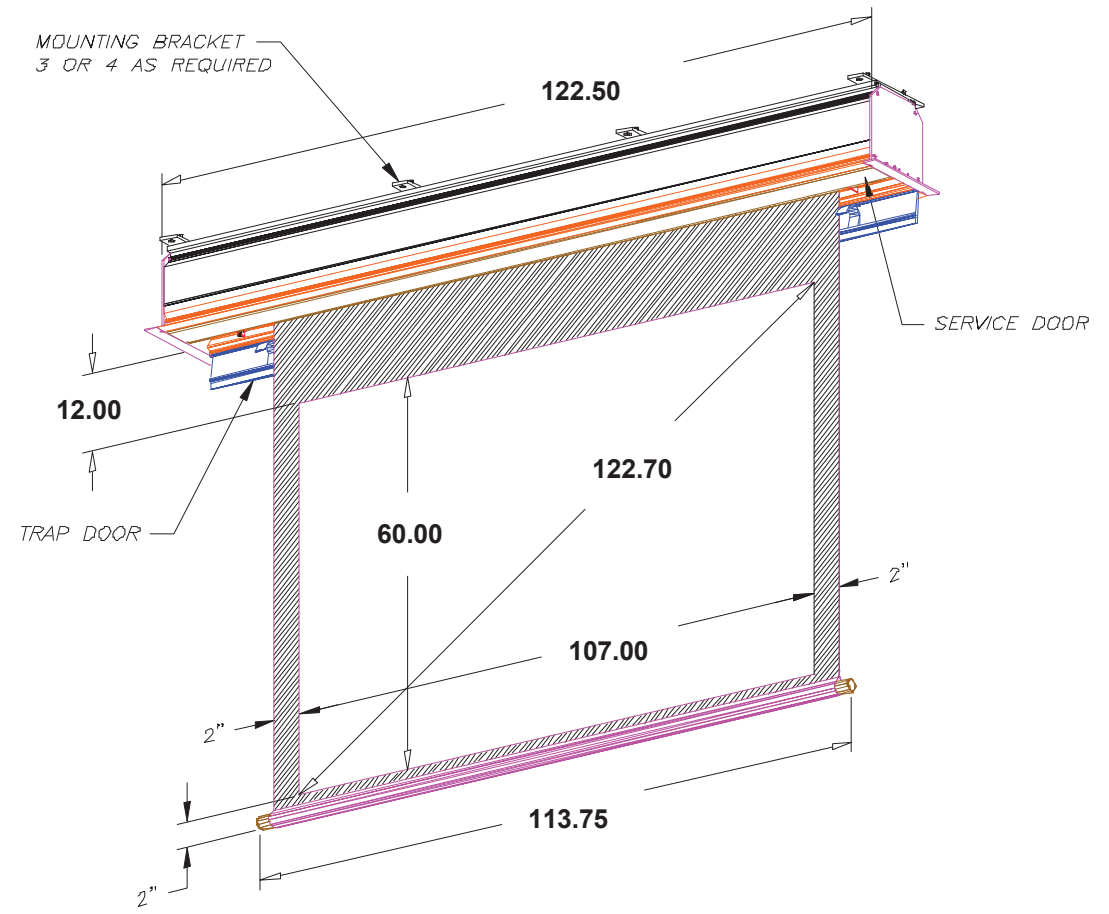
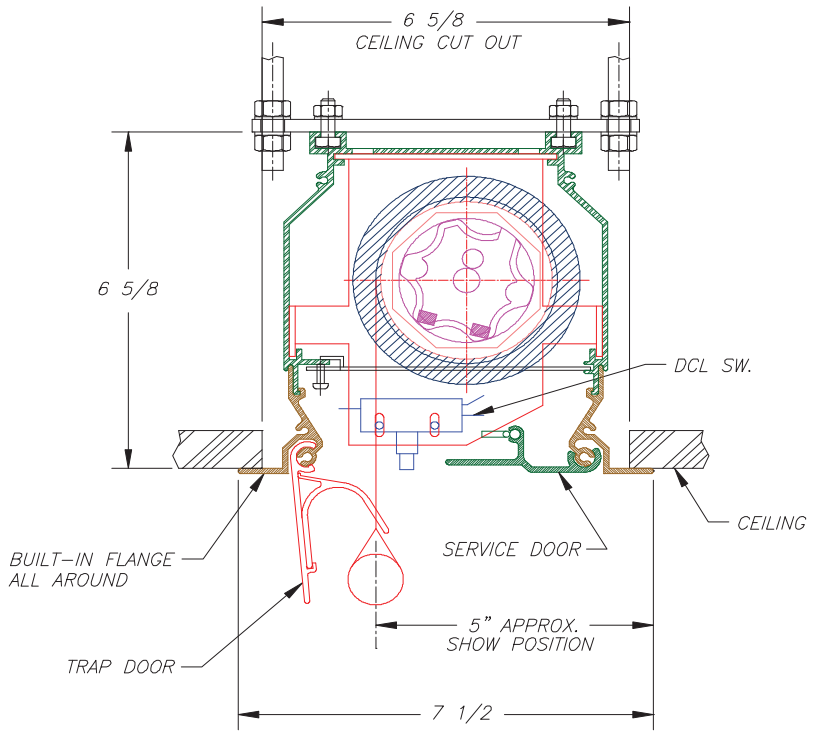


11711 W. Sample Road Coral Springs, FL 33065-3155  
T +1 (800) 770-4700 | F +1 (800) 548-5885 | T 954 545-9000 | Fax 954 545-9001  
vutec.com



# LECTRIC 2 123"

16:9 | 113 lbs



Date: \_\_\_\_\_ Dealer: \_\_\_\_\_ Client or Project No: \_\_\_\_\_ Phone: \_\_\_\_\_ PO#: \_\_\_\_\_

Note: Approx. ceiling cut for housing length = 123"  
This quotation is valid for 30 days from the date shown.

Fabric Surface: \_\_\_\_\_ Frame Finish: \_\_\_\_\_

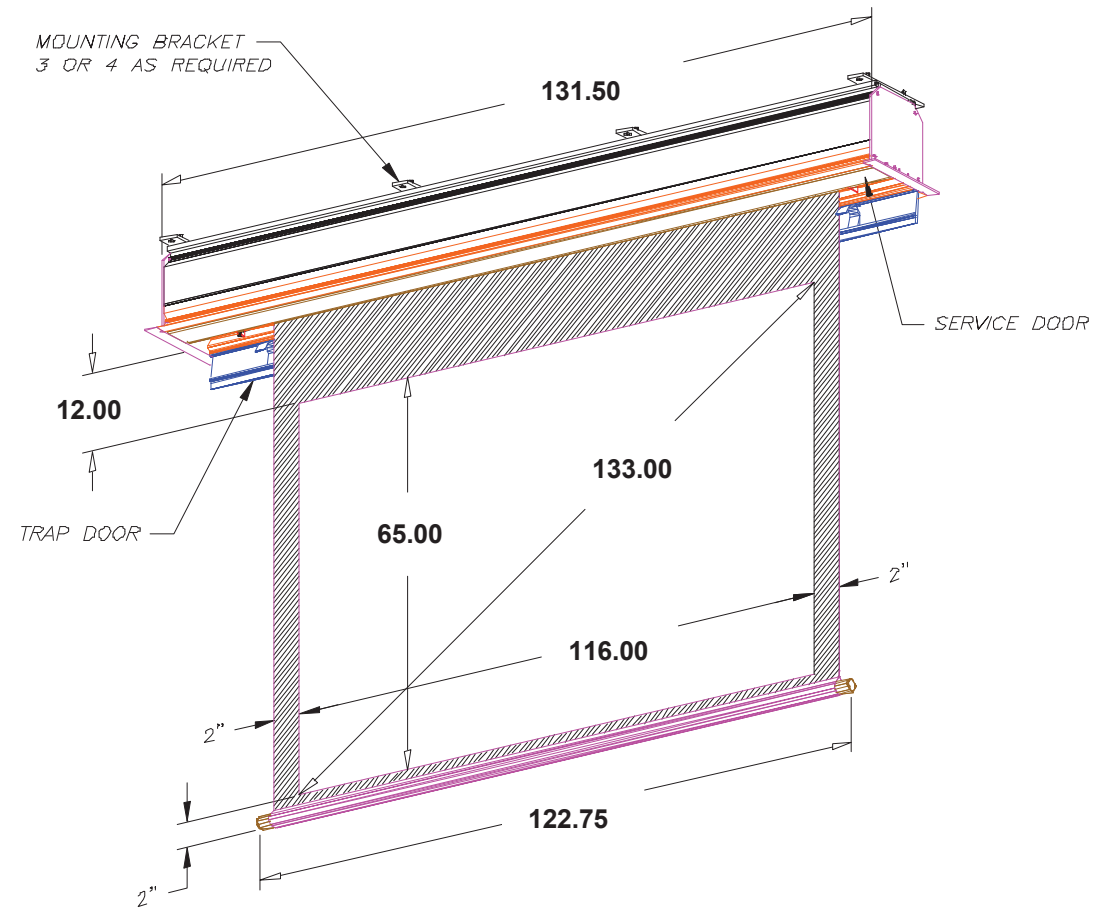
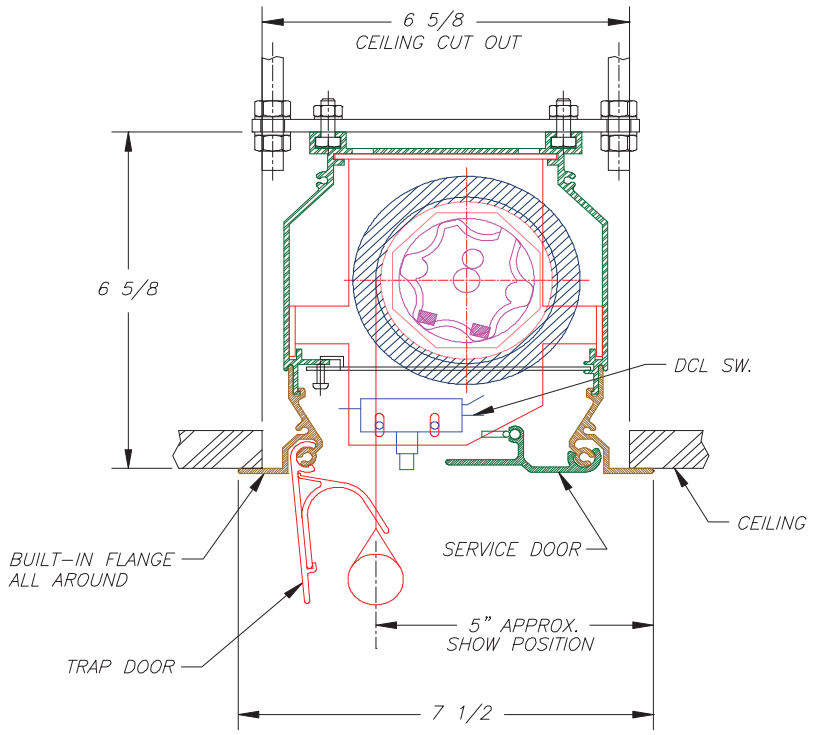


11711 W. Sample Road Coral Springs, FL 33065-3155  
T +1 (800) 770-4700 | F +1 (800) 548-5885 | T 954 545-9000 | Fax 954 545-9001  
vutec.com



# LECTRIC 2 133"

16:9 | 120 lbs



Date: \_\_\_\_\_ Dealer: \_\_\_\_\_ Client or Project No: \_\_\_\_\_ Phone: \_\_\_\_\_ PO#: \_\_\_\_\_

Note: Approx. ceiling cut for housing length = 132"  
This quotation is valid for 30 days from the date shown.

Fabric Surface: \_\_\_\_\_ Frame Finish: \_\_\_\_\_

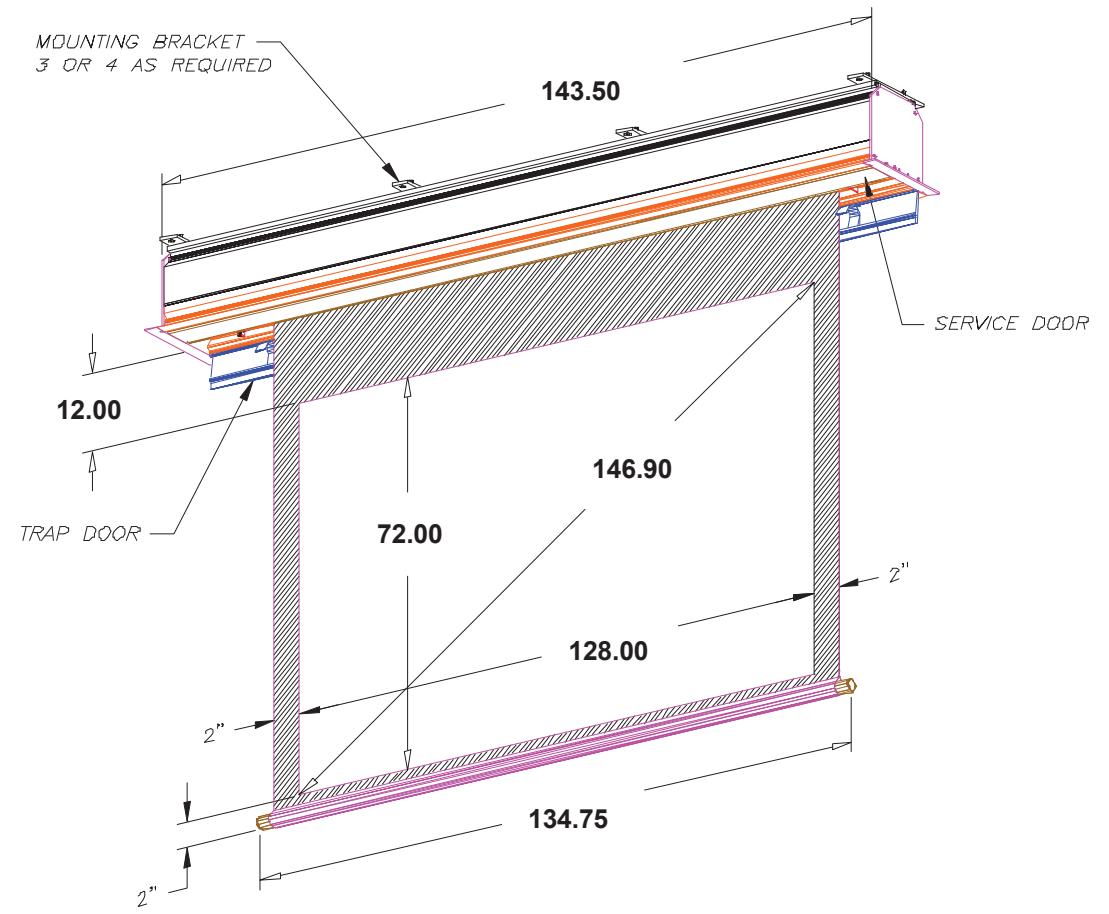
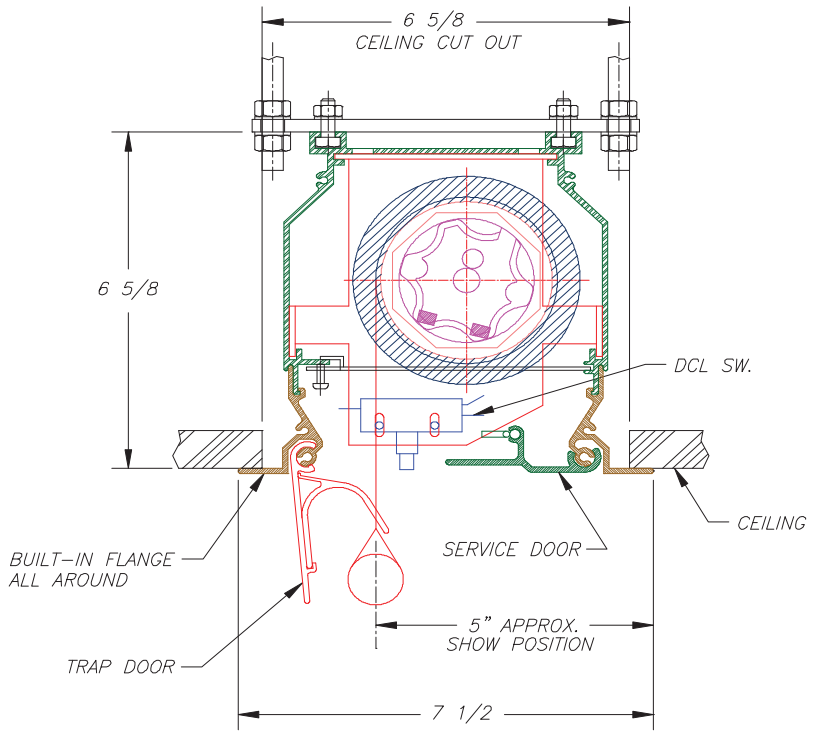


11711 W. Sample Road Coral Springs, FL 33065-3155  
T +1 (800) 770-4700 | F +1 (800) 548-5885 | T 954 545-9000 | Fax 954 545-9001  
vutec.com



# LECTRIC 2 147"

16:9 | 130 lbs



Date: \_\_\_\_\_ Dealer: \_\_\_\_\_ Client or Project No: \_\_\_\_\_ Phone: \_\_\_\_\_ PO#: \_\_\_\_\_

Note: Approx. ceiling cut for housing length = 144"  
This quotation is valid for 30 days from the date shown.

Fabric Surface: \_\_\_\_\_ Frame Finish: \_\_\_\_\_

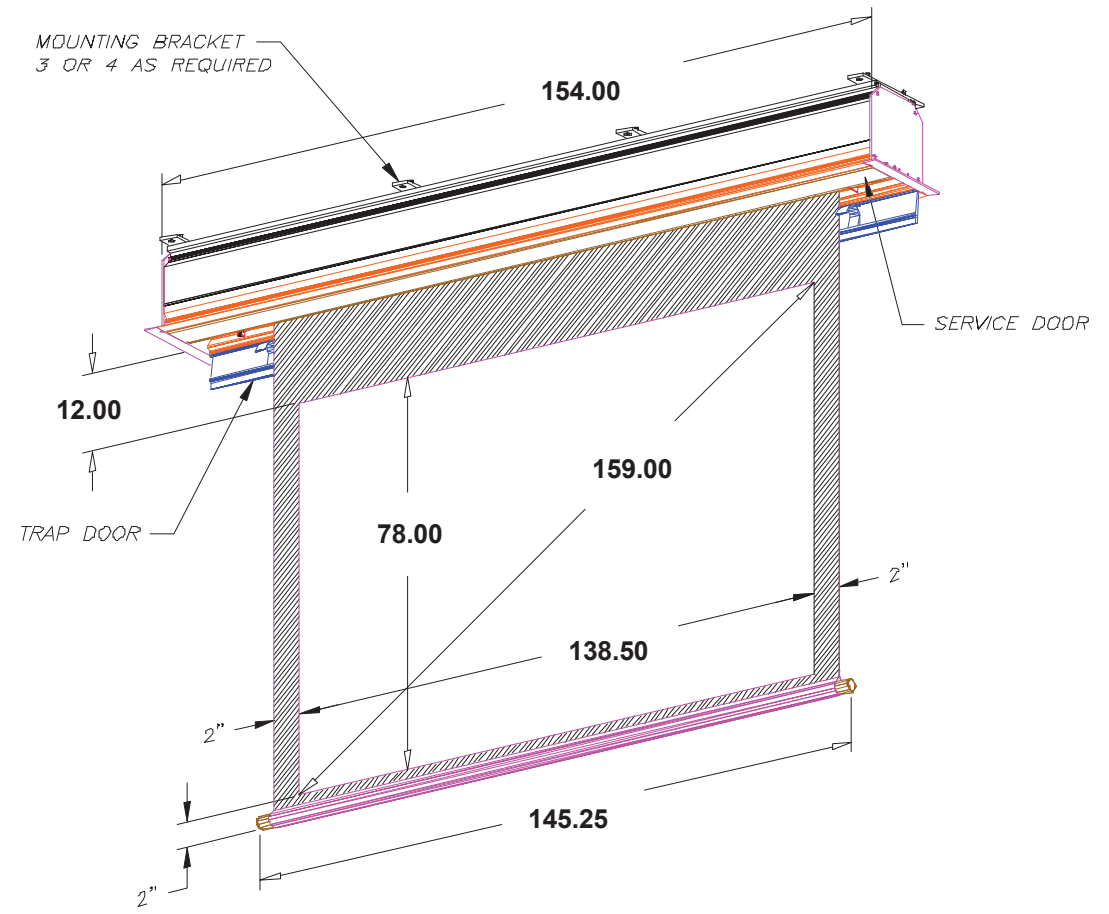
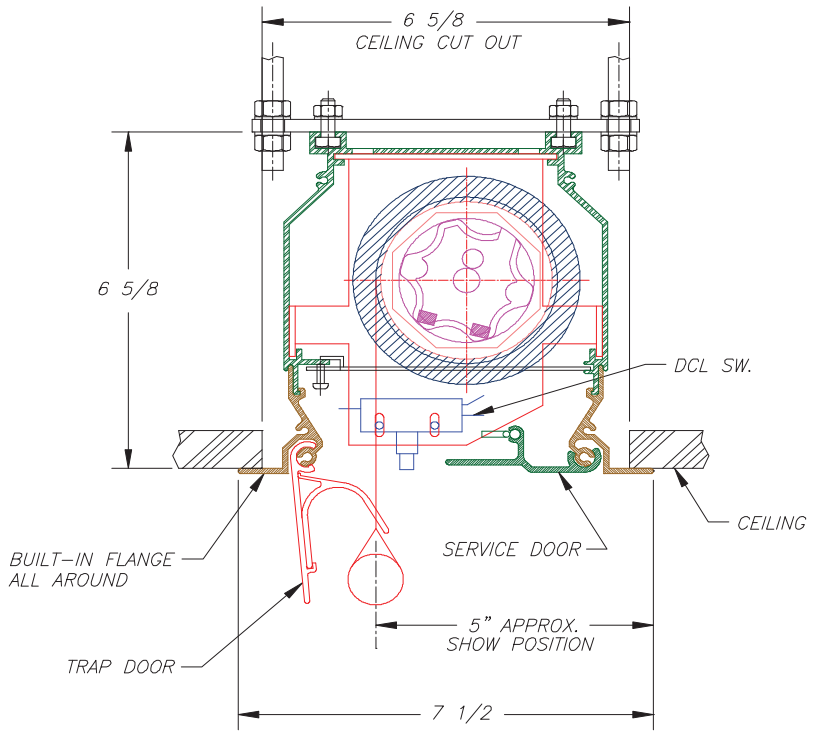


11711 W. Sample Road Coral Springs, FL 33065-3155  
T +1 (800) 770-4700 | F +1 (800) 548-5885 | T 954 545-9000 | Fax 954 545-9001  
vutec.com



# LECTRIC 2 159"

16:9 | 139 lbs



Date: \_\_\_\_\_ Dealer: \_\_\_\_\_ Client or Project No: \_\_\_\_\_ Phone: \_\_\_\_\_ PO#: \_\_\_\_\_

Note: Approx. ceiling cut for housing length = 154.50"  
This quotation is valid for 30 days from the date shown.

Fabric Surface: \_\_\_\_\_ Frame Finish: \_\_\_\_\_



11711 W. Sample Road Coral Springs, FL 33065-3155  
T +1 (800) 770-4700 | F +1 (800) 548-5885 | T 954 545-9000 | Fax 954 545-9001  
vutec.com

