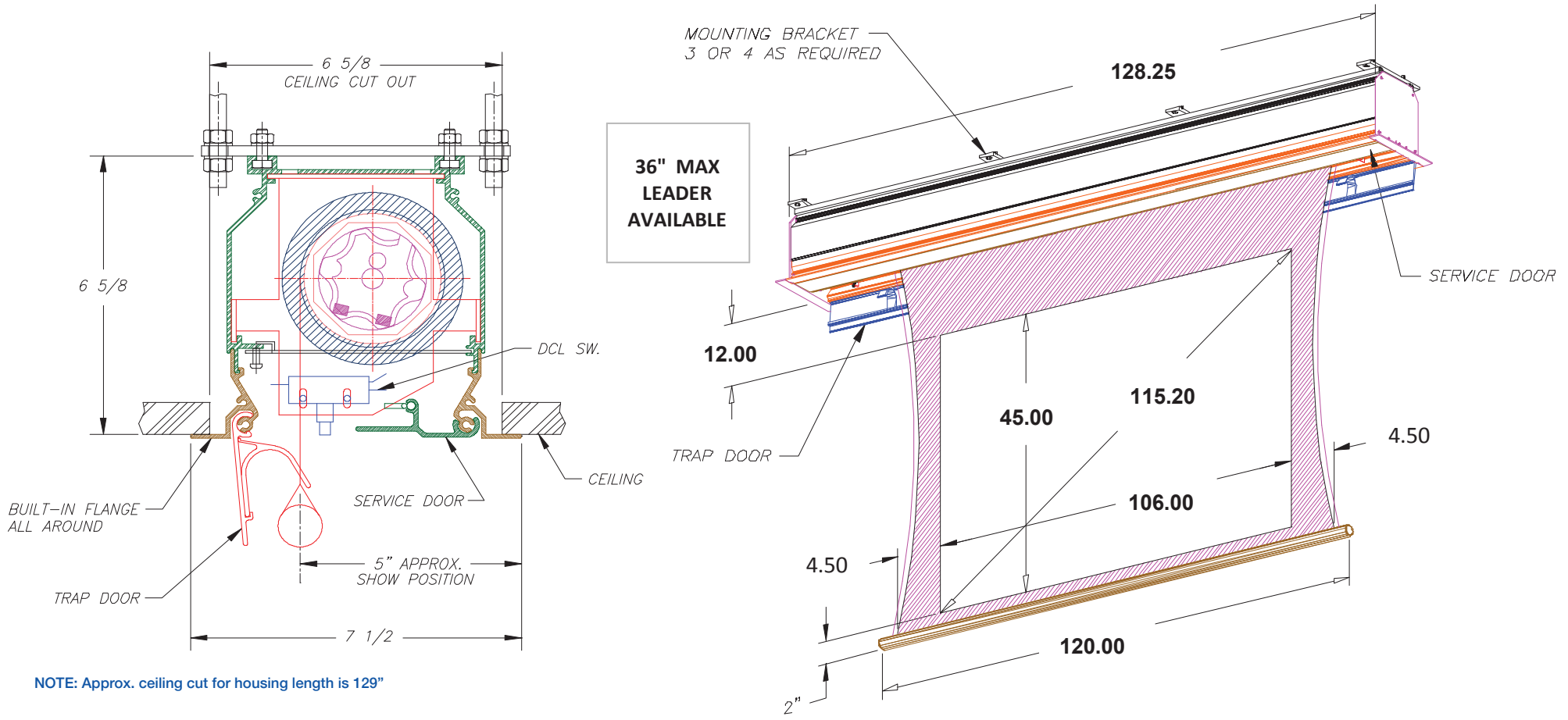


LECTRIC 4 115"

2.35:1 | 109 lbs



NOTE: Approx. ceiling cut for housing length is 129"

Date: _____ Dealer: _____ Client or Project No: _____ Phone: _____ PO#: _____

This quotation is valid for 30 days from the date shown. Fabric Surface: _____ Frame Finish: _____

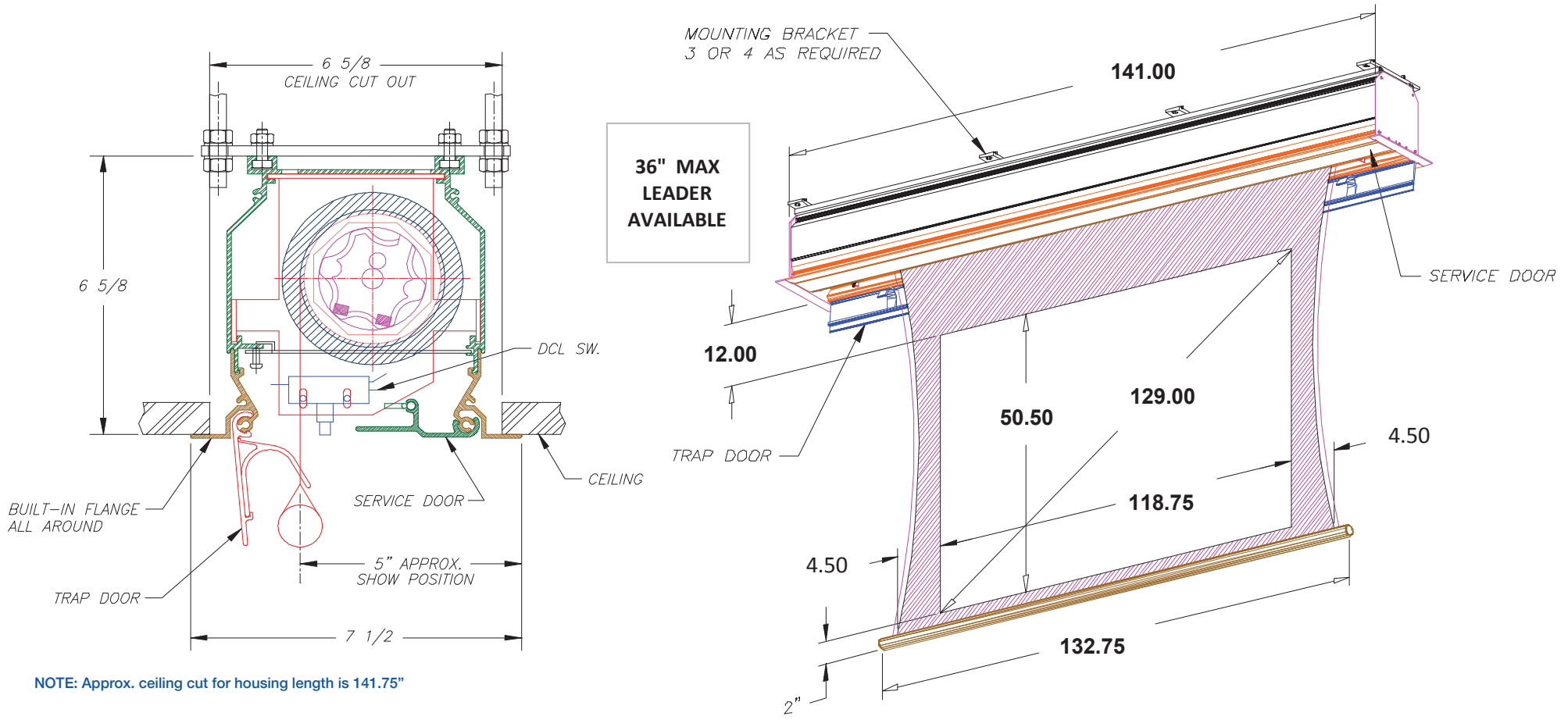


11711 W. Sample Road Coral Springs, FL 33065-3155
 T +1 (800) 770-4700 | F +1 (800) 548-5885 | T 954 545-9000 | Fax 954 545-9001
 vutec.com



LECTRIC 4 129"

2.35:1 | 119 lbs



Date: _____ Dealer: _____ Client or Project No: _____ Phone: _____ PO#: _____

This quotation is valid for 30 days from the date shown. Fabric Surface: _____ Frame Finish: _____

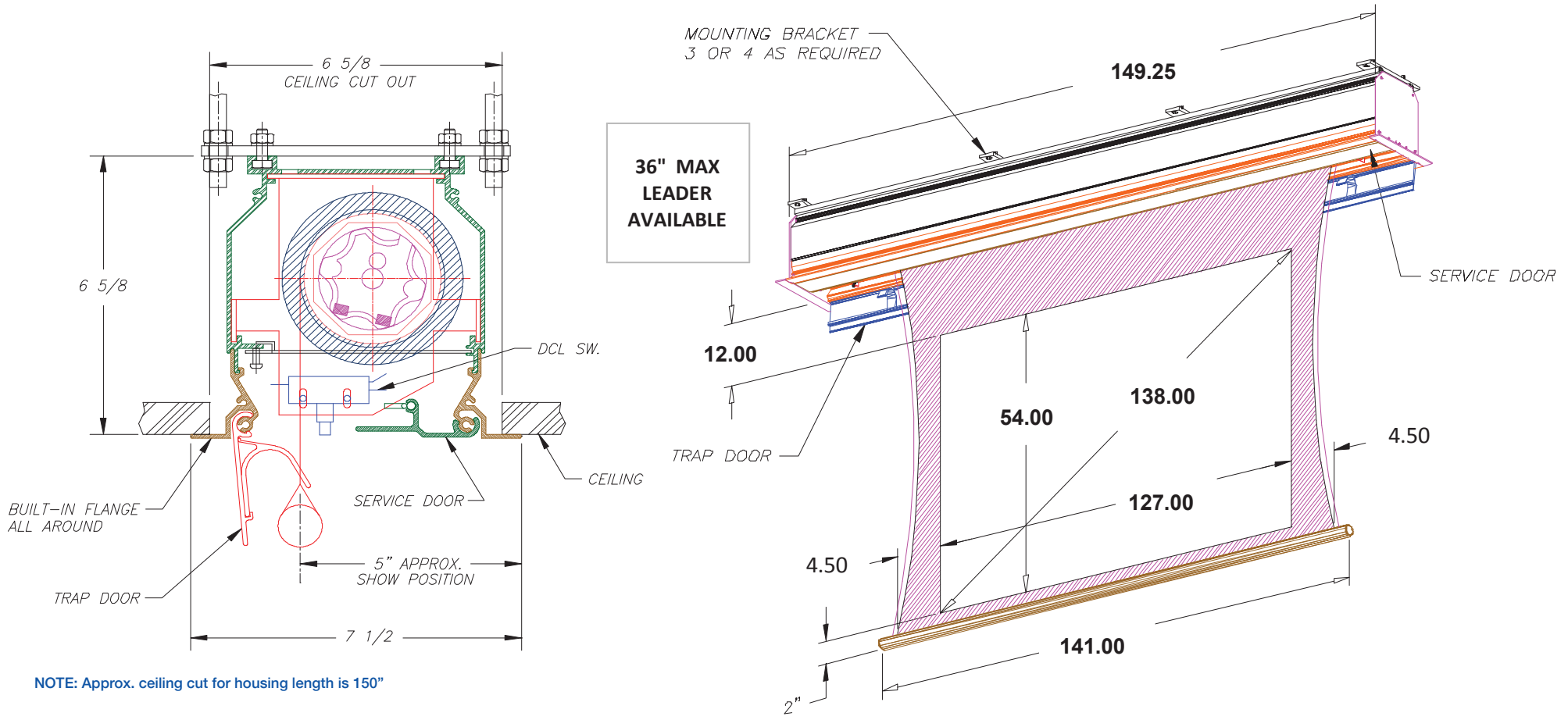


11711 W. Sample Road Coral Springs, FL 33065-3155
 T +1 (800) 770-4700 | F +1 (800) 548-5885 | T 954 545-9000 | Fax 954 545-9001
 vutec.com



LECTRIC 4 138"

2.35:1 | 126 lbs



NOTE: Approx. ceiling cut for housing length is 150"

Date: _____ Dealer: _____ Client or Project No: _____ Phone: _____ PO#: _____

This quotation is valid for 30 days from the date shown. Fabric Surface: _____ Frame Finish: _____

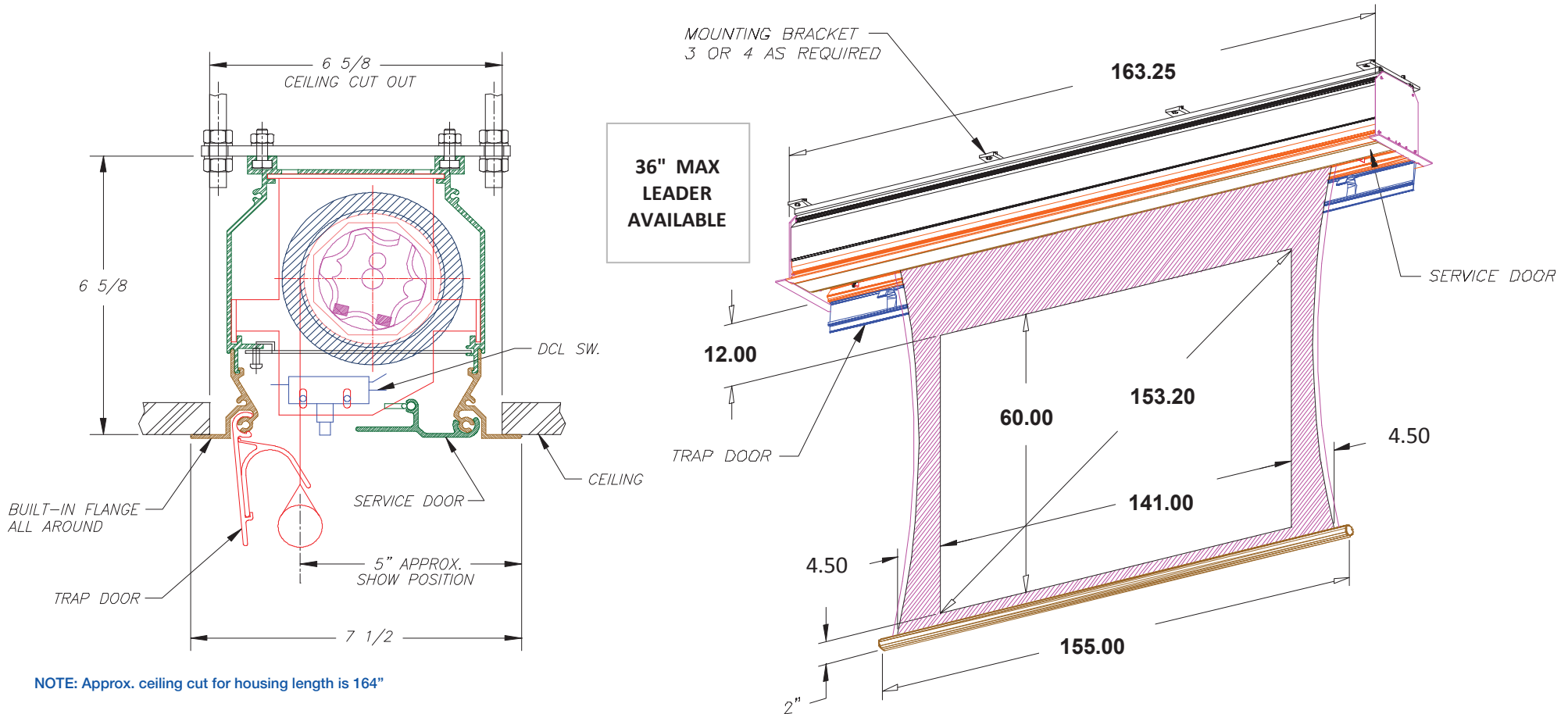


11711 W. Sample Road Coral Springs, FL 33065-3155
 T +1 (800) 770-4700 | F +1 (800) 548-5885 | T 954 545-9000 | Fax 954 545-9001
vutec.com



LECTRIC 4 153"

2.35:1 | 137 lbs



Date: _____ Dealer: _____ Client or Project No: _____ Phone: _____ PO#: _____

This quotation is valid for 30 days from the date shown.

Fabric Surface: _____ Frame Finish: _____



11711 W. Sample Road Coral Springs, FL 33065-3155
 T +1 (800) 770-4700 | F +1 (800) 548-5885 | T 954 545-9000 | Fax 954 545-9001
vutec.com

vuteccorporation
 VutecCorp
 vuteccorp
 @Vutec