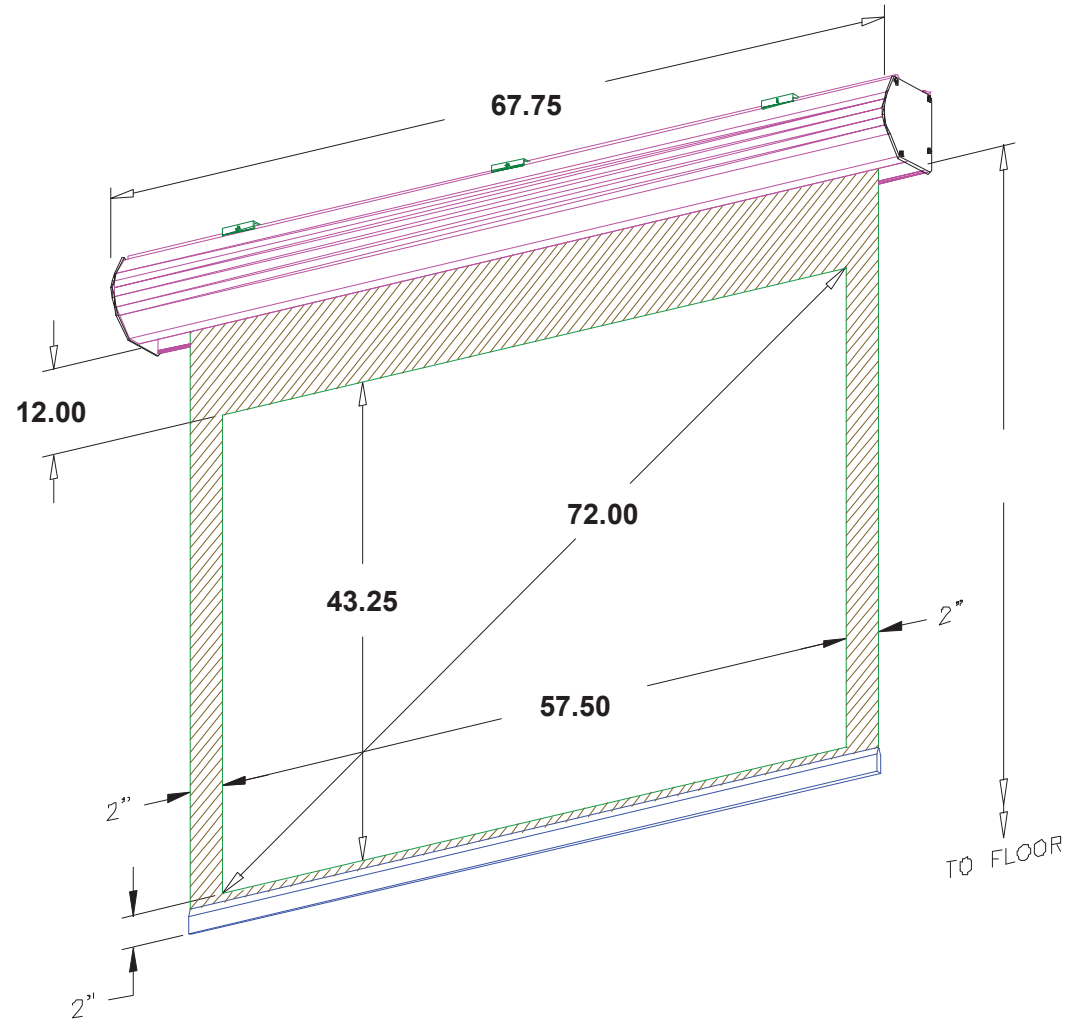
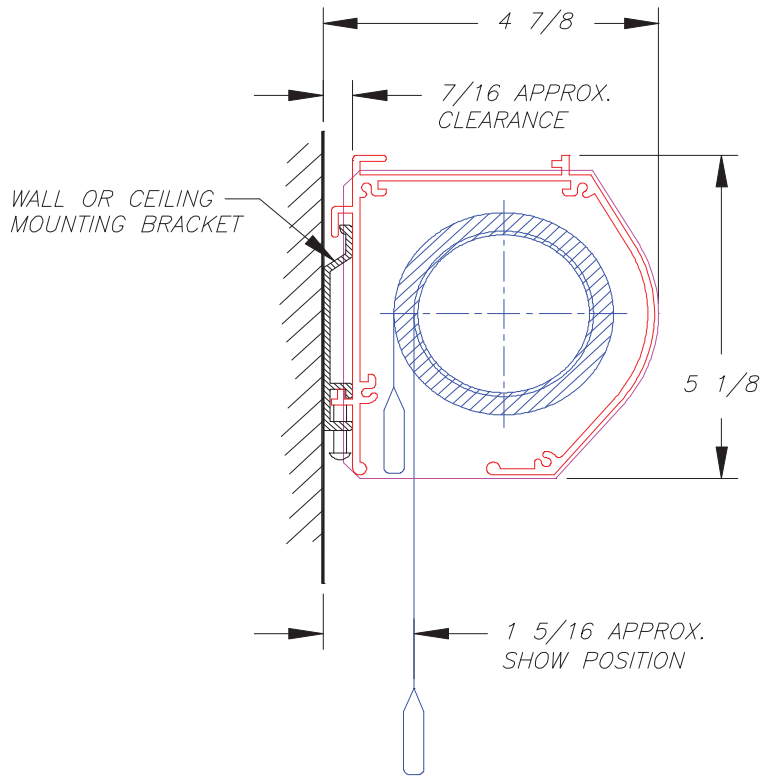


LECTRIC 1 & RF 72"

4:3 | 59 lbs



Date: _____ Dealer: _____ Client or Project No: _____ Phone: _____ PO#: _____

This quotation is valid for 30 days from the date shown.

Fabric Surface: _____ Frame Finish: _____

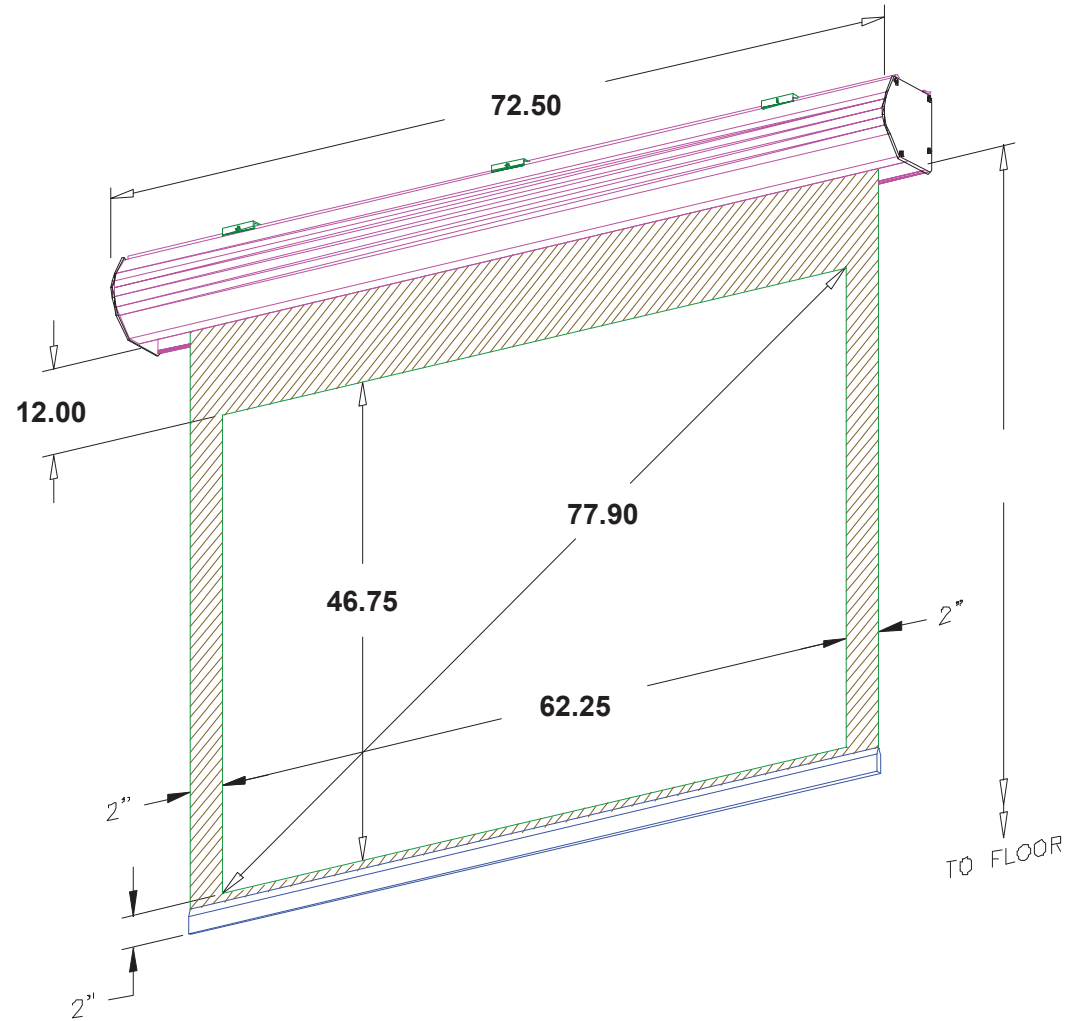
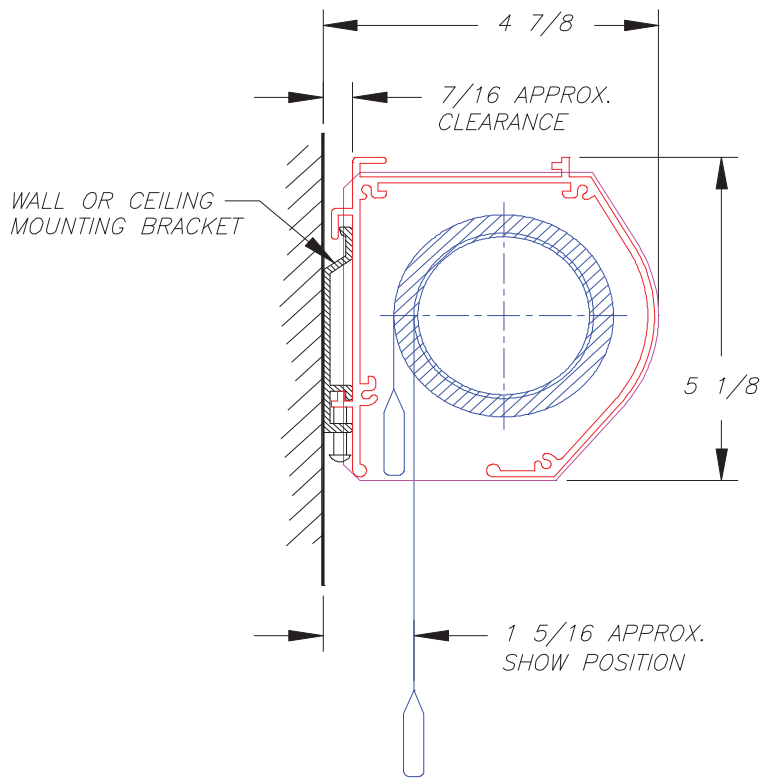


11711 W. Sample Road Coral Springs, FL 33065-3155
T +1 (800) 770-4700 | F +1 (800) 548-5885 | T 954 545-9000 | Fax 954 545-9001
vutec.com

vuteccorporation VutecCorp vuteccorp @Vutec

LECTRIC 1 & RF 78"

4:3 | 61 lbs



Date: _____ Dealer: _____ Client or Project No: _____ Phone: _____ PO#: _____

This quotation is valid for 30 days from the date shown.

Fabric Surface: _____ Frame Finish: _____

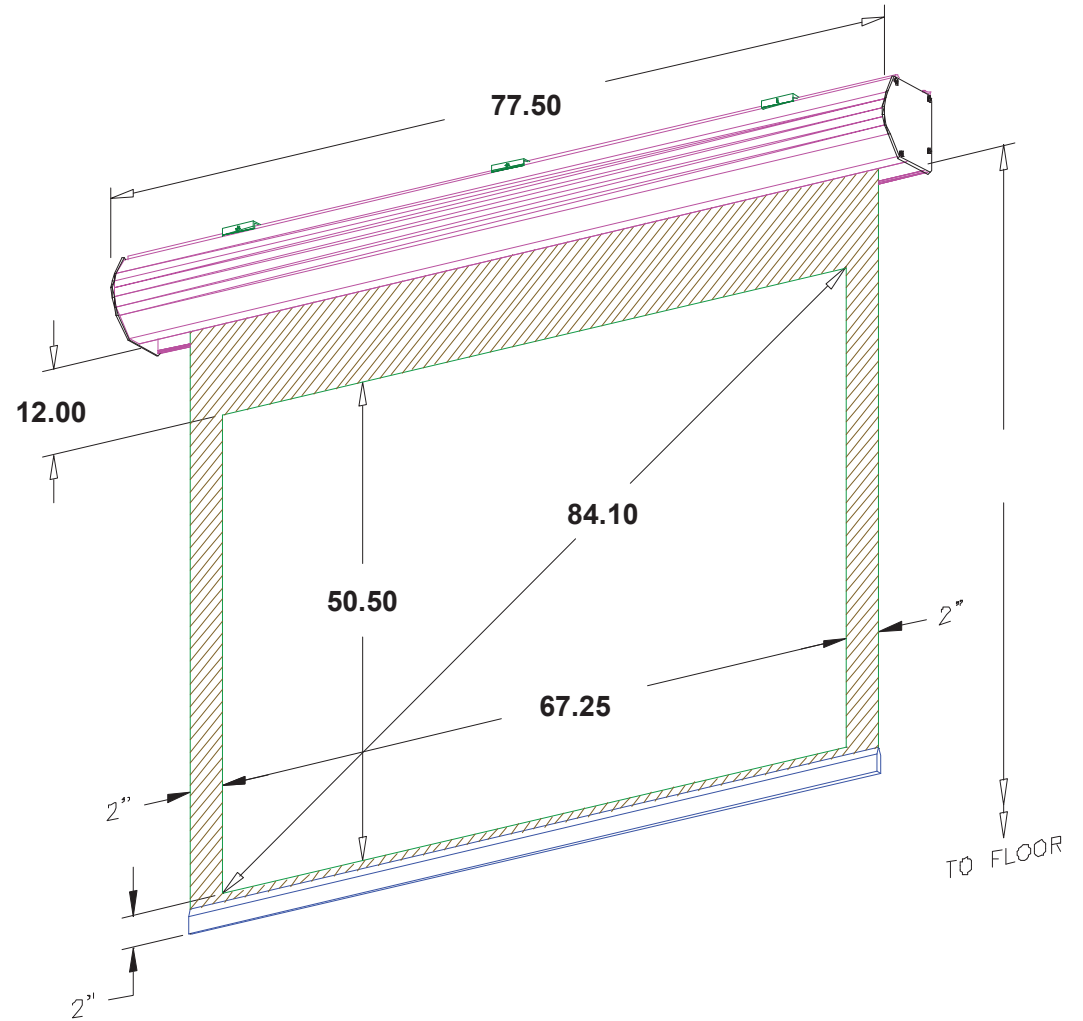
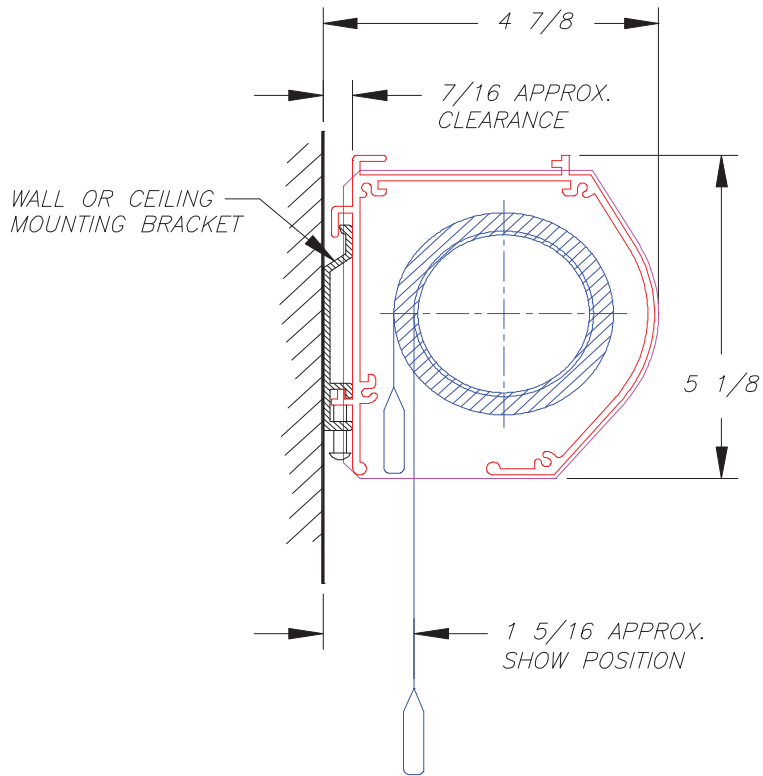


11711 W. Sample Road Coral Springs, FL 33065-3155
 T +1 (800) 770-4700 | F +1 (800) 548-5885 | T 954 545-9000 | Fax 954 545-9001
vutec.com

vuteccorporation
 VutecCorp
 vuteccorp
 @Vutec

LECTRIC 1 & RF 84"

4:3 | 64 lbs



Date: _____ Dealer: _____ Client or Project No: _____ Phone: _____ PO#: _____

This quotation is valid for 30 days from the date shown.

Fabric Surface: _____ Frame Finish: _____

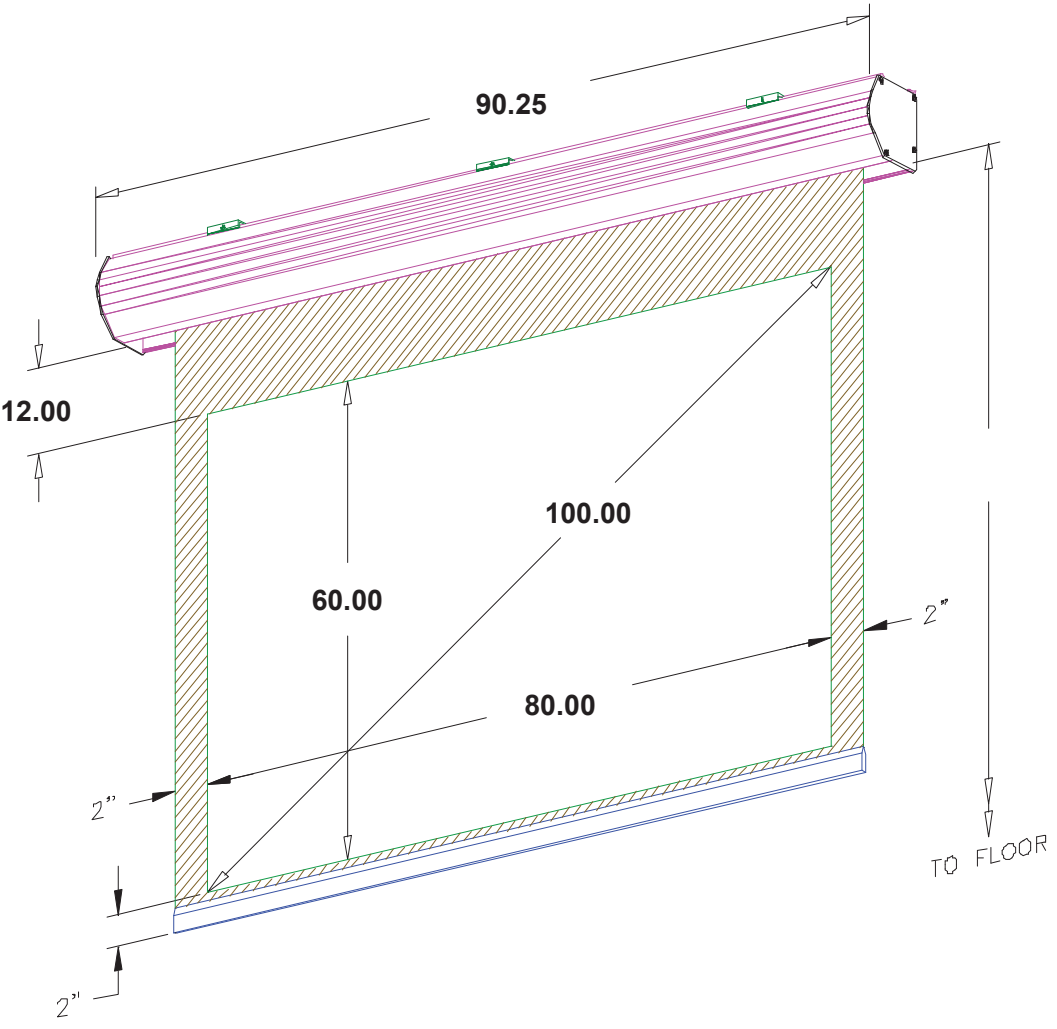
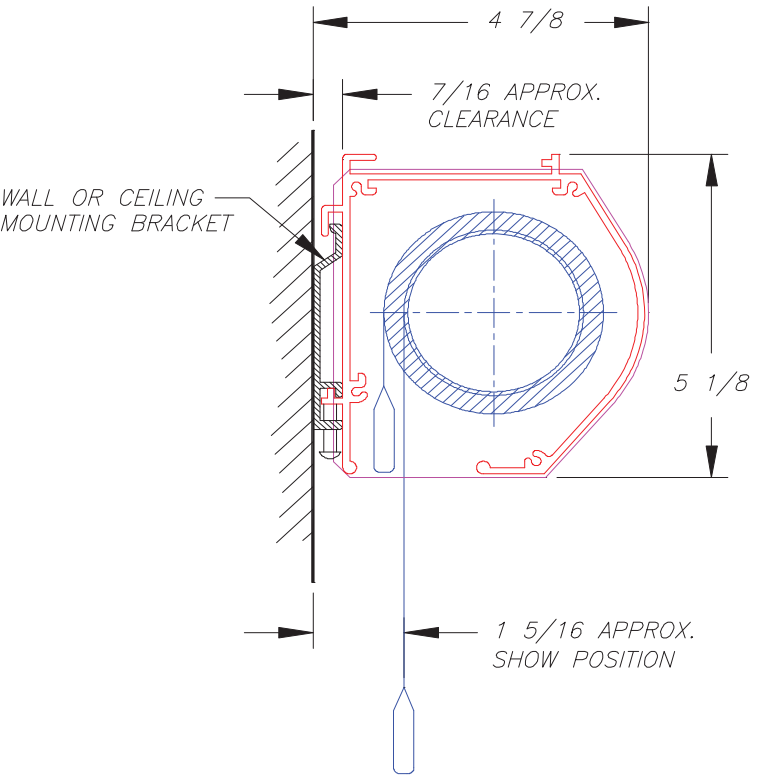


11711 W. Sample Road Coral Springs, FL 33065-3155
T +1 (800) 770-4700 | F +1 (800) 548-5885 | T 954 545-9000 | Fax 954 545-9001
vutec.com

vuteccorporation VutecCorp vuteccorp @Vutec

LECTRIC 1 & RF 100"

4:3 | 72 lbs

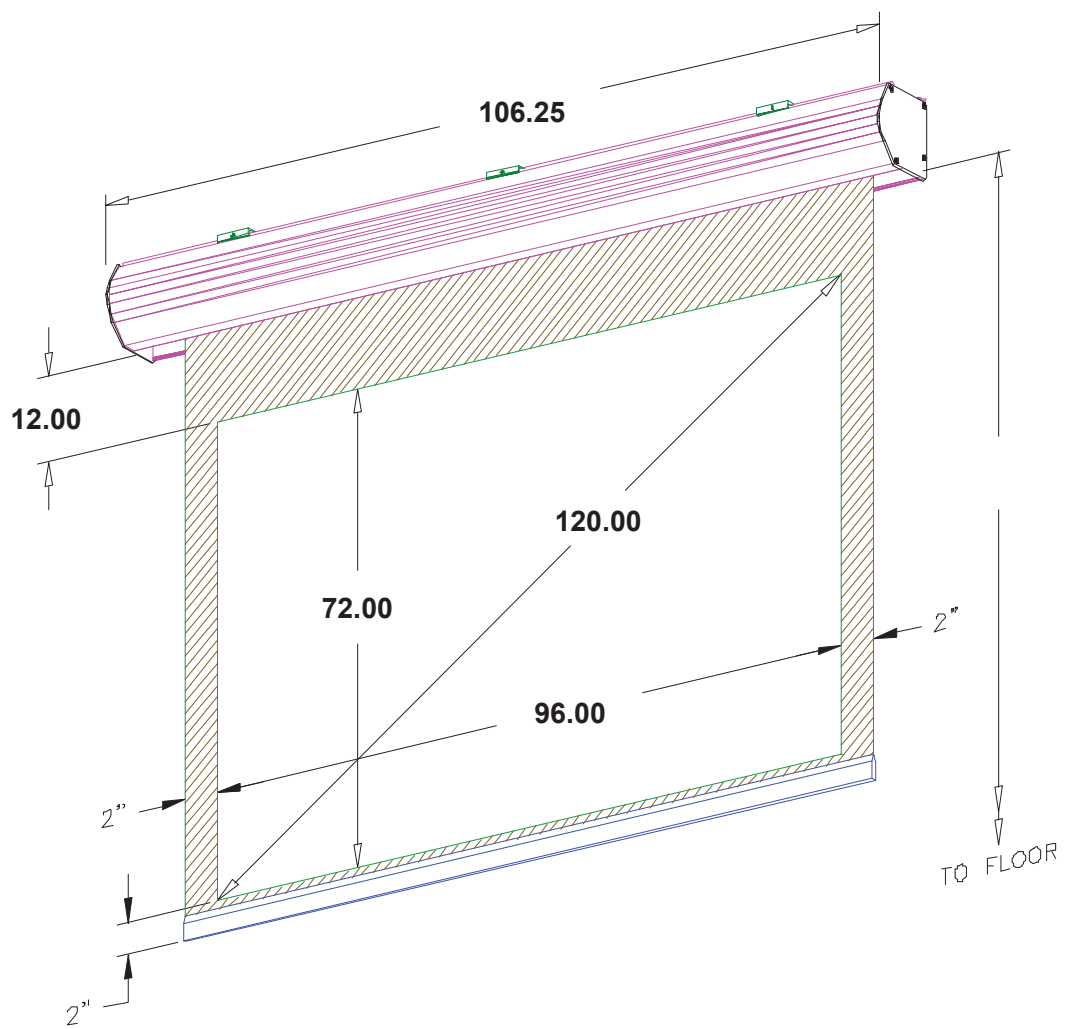
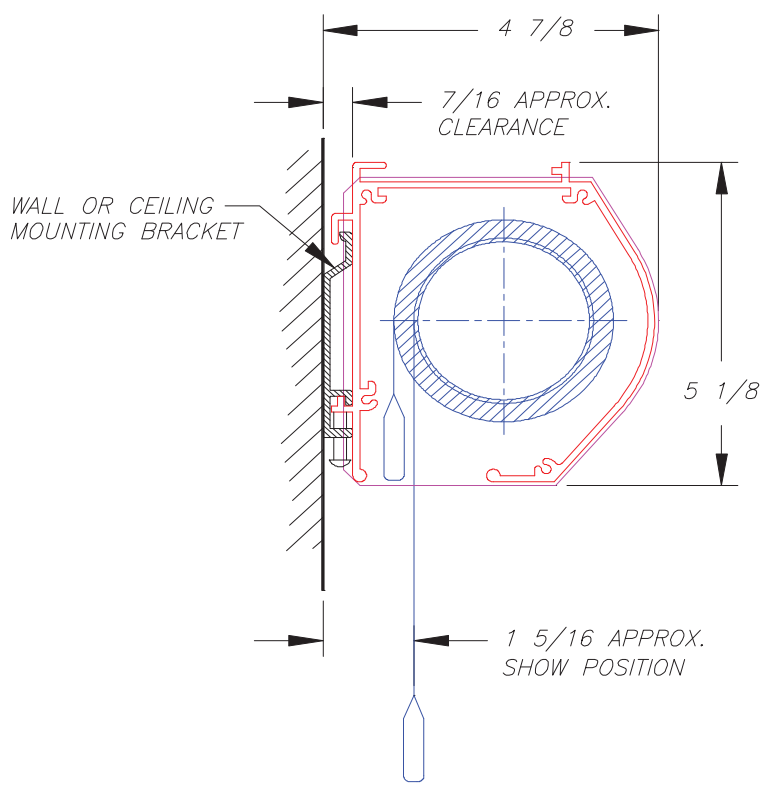


Date: _____ Dealer: _____ Client or Project No: _____ Phone: _____ PO#: _____

This quotation is valid for 30 days from the date shown. Fabric Surface: _____ Frame Finish: _____

LECTRIC 1 & RF 120"

4:3 | 82 lbs



Date: _____ Dealer: _____ Client or Project No: _____ Phone: _____ PO#: _____

This quotation is valid for 30 days from the date shown. Fabric Surface: _____ Frame Finish: _____

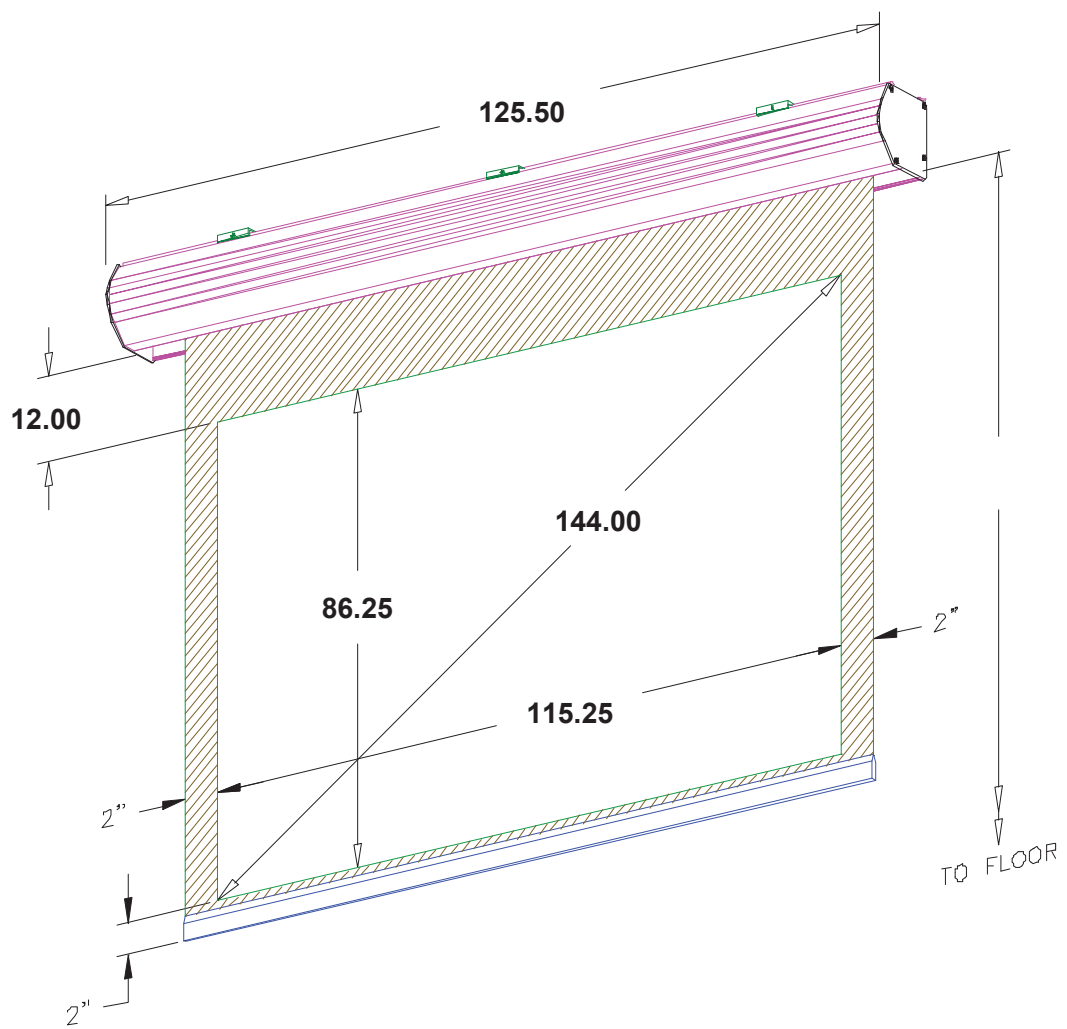
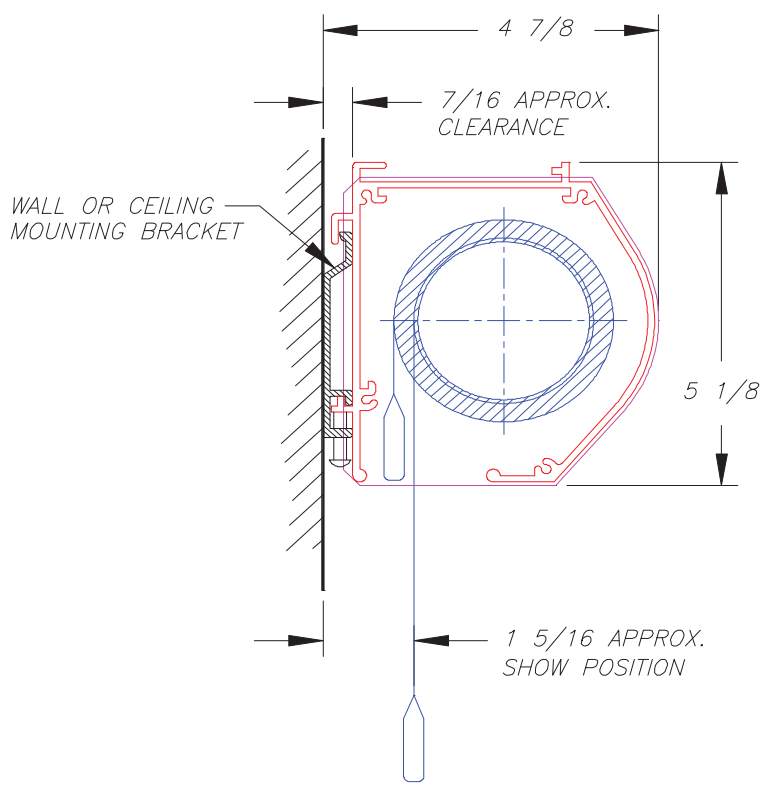


11711 W. Sample Road Coral Springs, FL 33065-3155
 T +1 (800) 770-4700 | F +1 (800) 548-5885 | T 954 545-9000 | Fax 954 545-9001
 vutec.com



LECTRIC 1 & RF 144"

4:3 | 95 lbs



Date: _____ Dealer: _____ Client or Project No: _____ Phone: _____ PO#: _____

This quotation is valid for 30 days from the date shown. Fabric Surface: _____ Frame Finish: _____

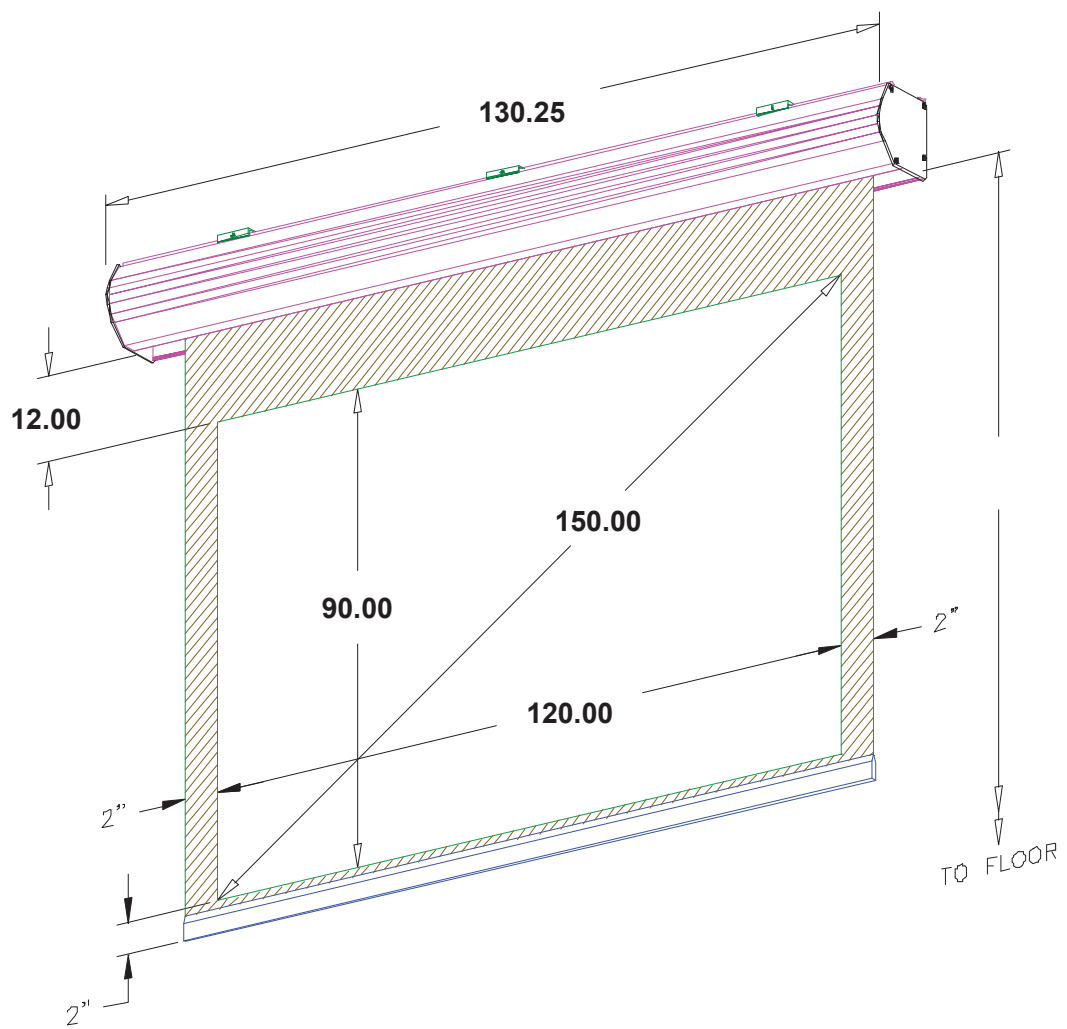
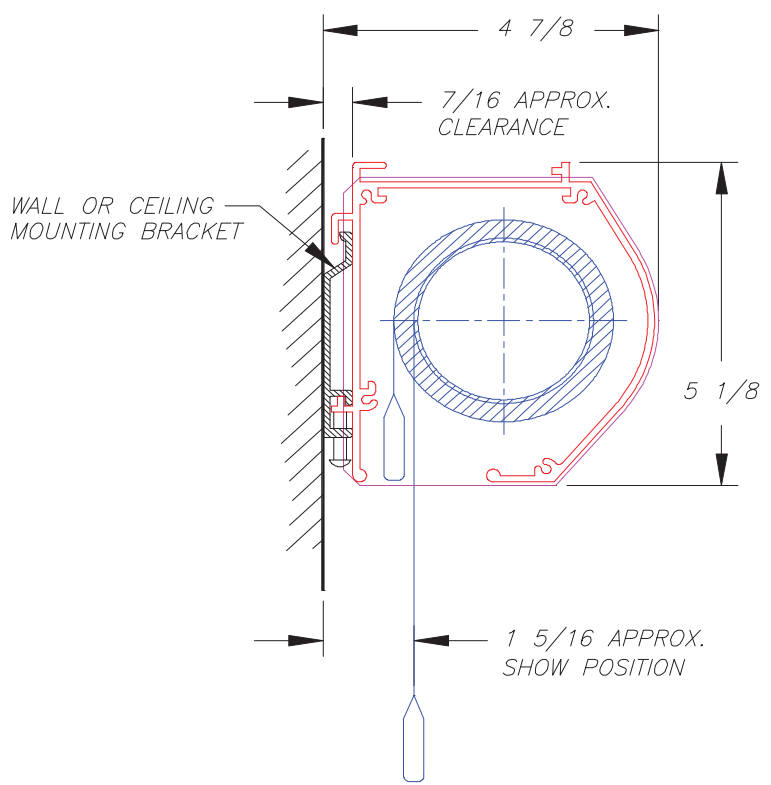


11711 W. Sample Road Coral Springs, FL 33065-3155
 T +1 (800) 770-4700 | F +1 (800) 548-5885 | T 954 545-9000 | Fax 954 545-9001
 vutec.com



LECTRIC 1 & RF 150"

4:3 | 99 lbs



Date: _____ Dealer: _____ Client or Project No: _____ Phone: _____ PO#: _____

This quotation is valid for 30 days from the date shown. Fabric Surface: _____ Frame Finish: _____

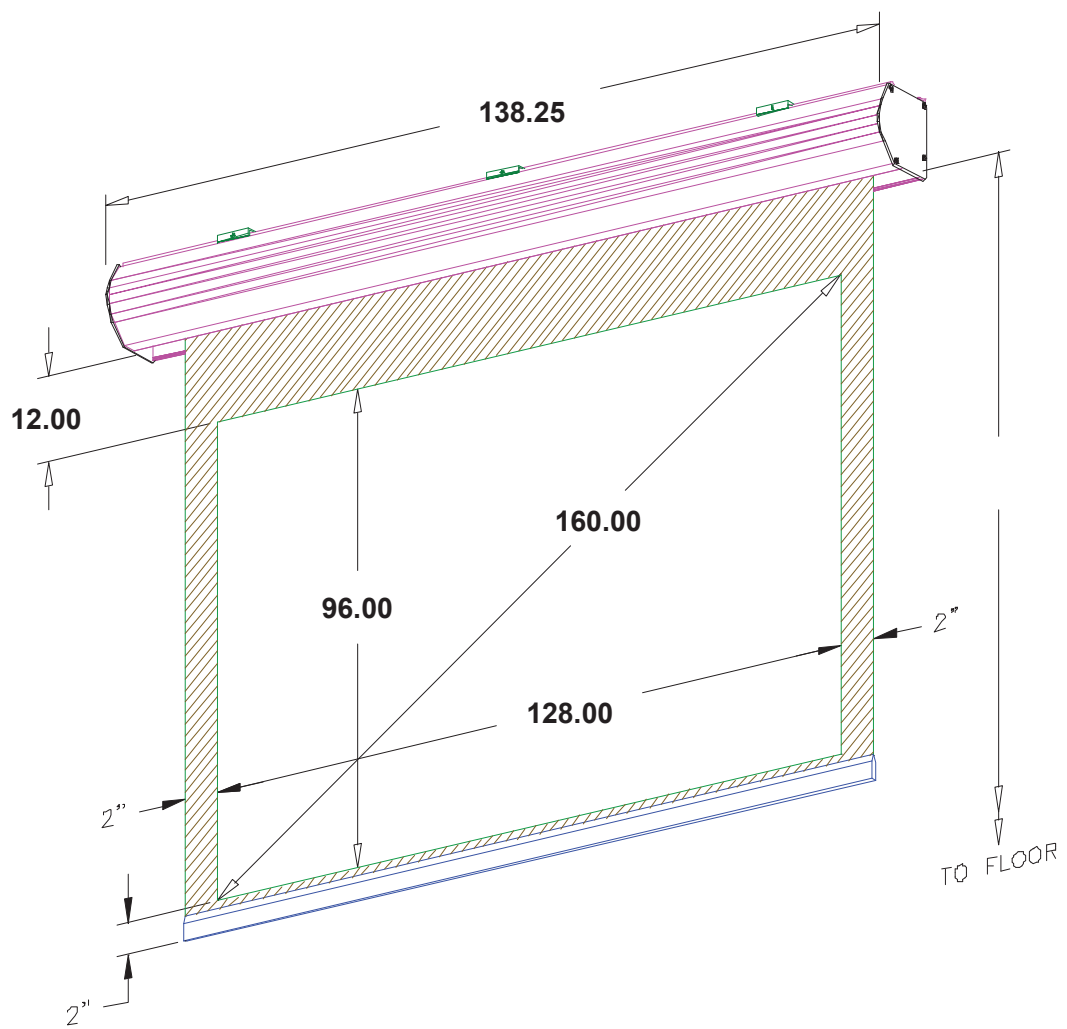
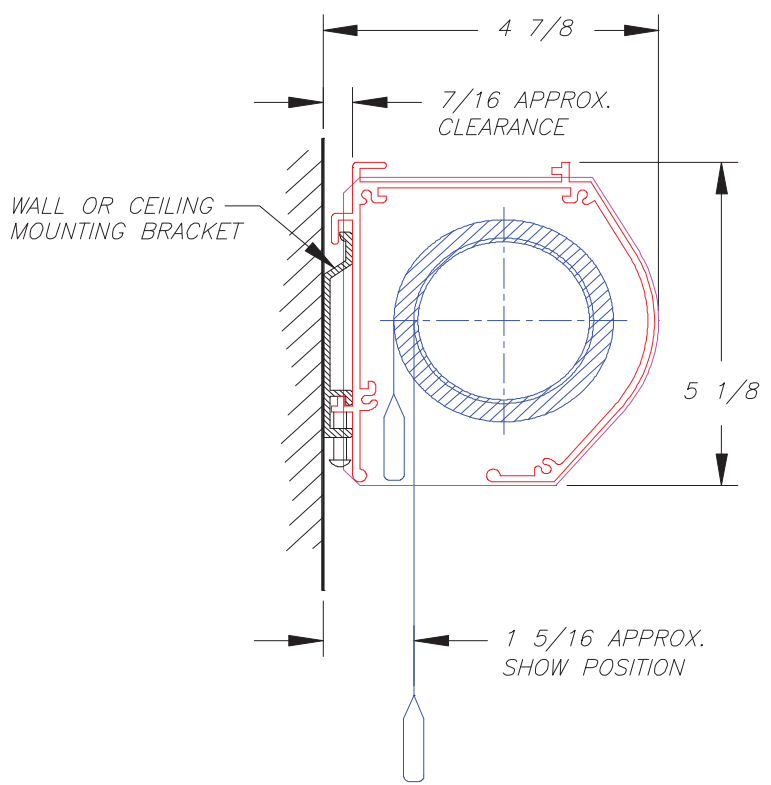


11711 W. Sample Road Coral Springs, FL 33065-3155
 T +1 (800) 770-4700 | F +1 (800) 548-5885 | T 954 545-9000 | Fax 954 545-9001
 vutec.com



LECTRIC 1 & RF 160"

4:3 | 105 lbs

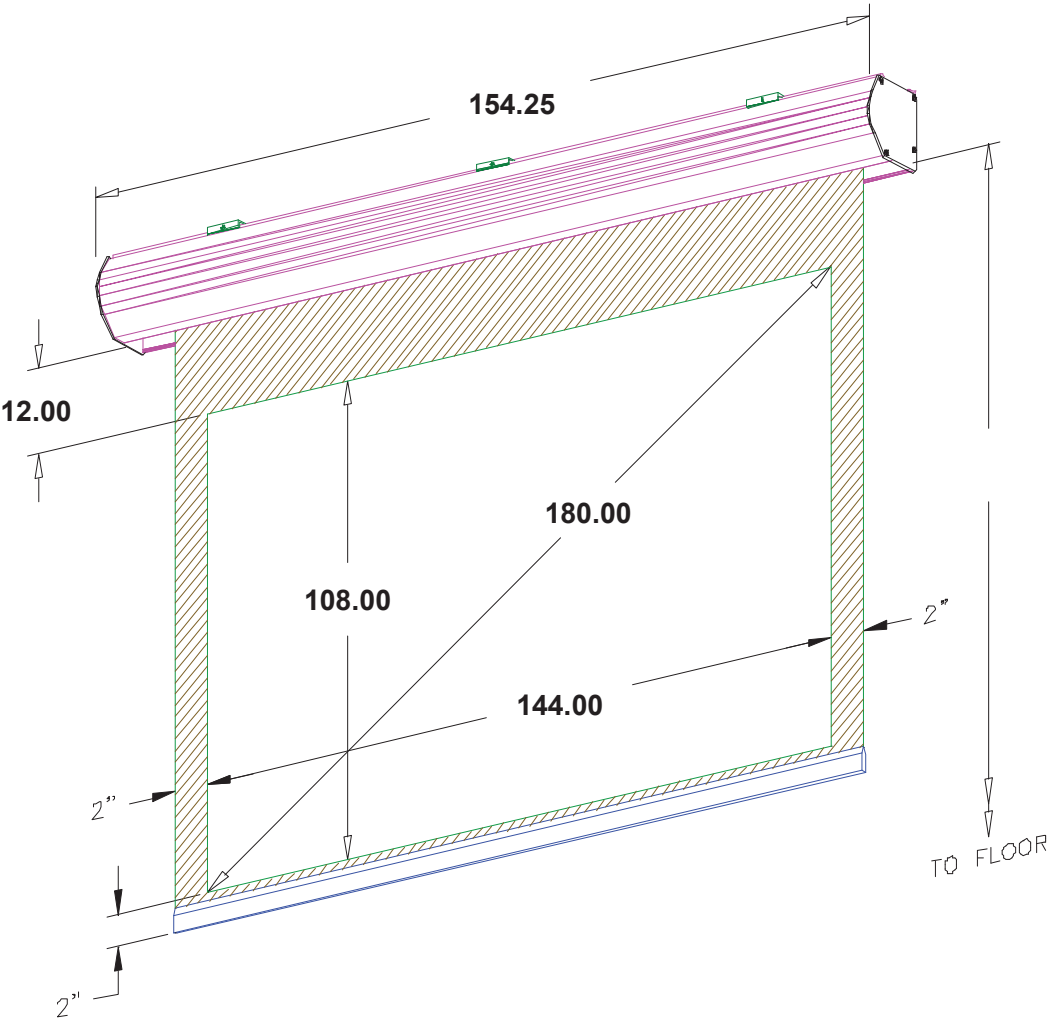
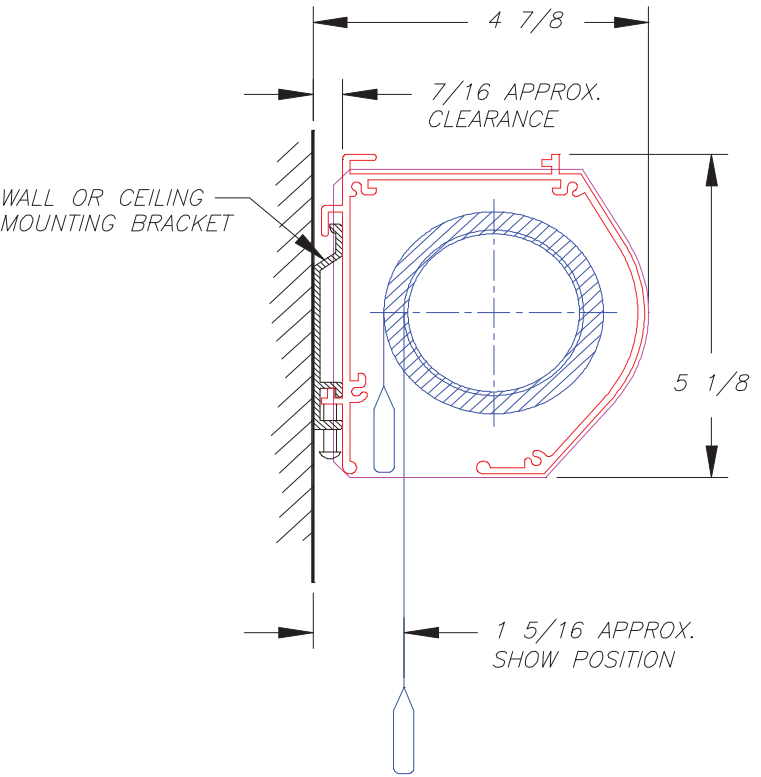


Date: _____ Dealer: _____ Client or Project No: _____ Phone: _____ PO#: _____

This quotation is valid for 30 days from the date shown. Fabric Surface: _____ Frame Finish: _____

LECTRIC 1 & RF 180"

4:3 | 117 lbs



Date: _____ Dealer: _____ Client or Project No: _____ Phone: _____ PO#: _____

This quotation is valid for 30 days from the date shown. Fabric Surface: _____ Frame Finish: _____