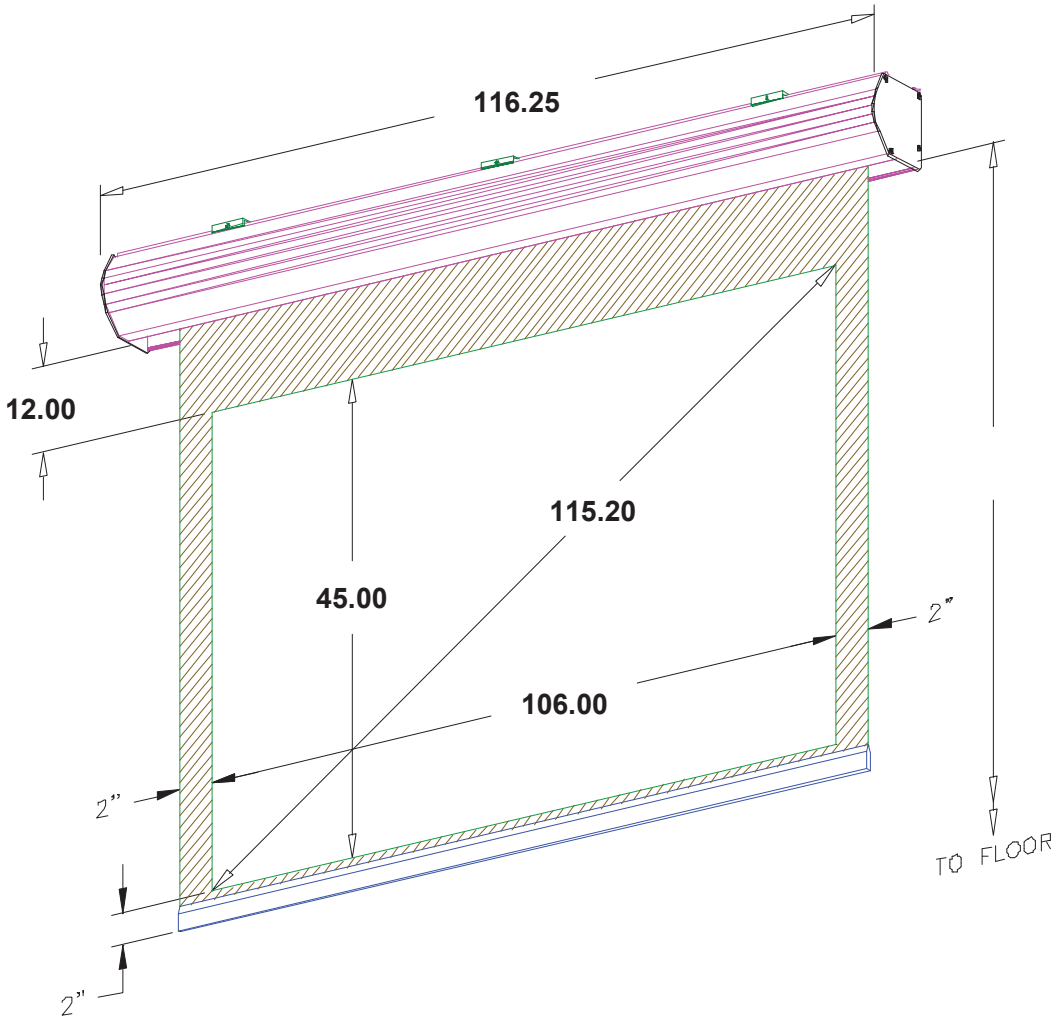
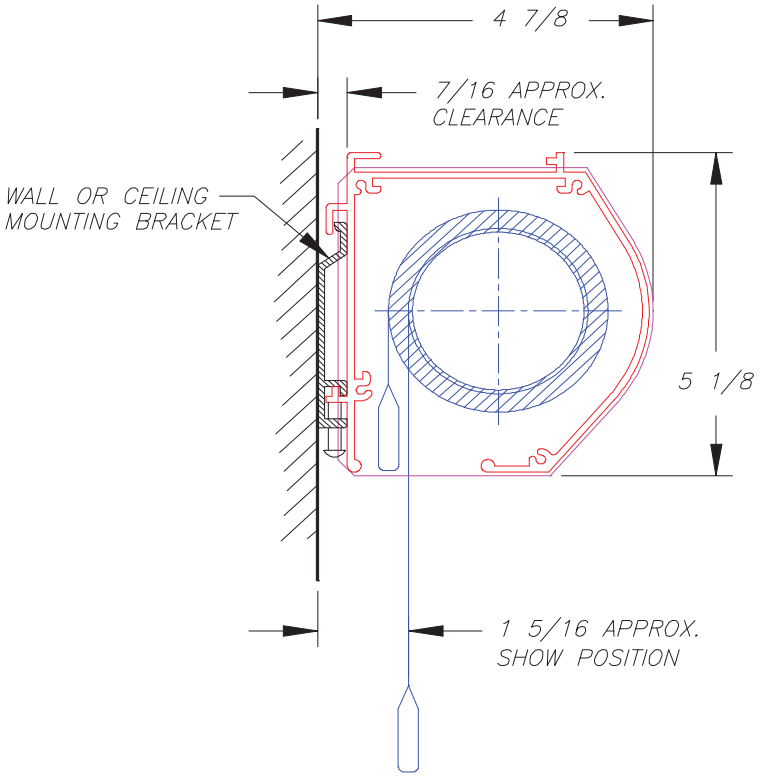


LECTRIC 1 & RF 115"

2.35:1 | 82 lbs

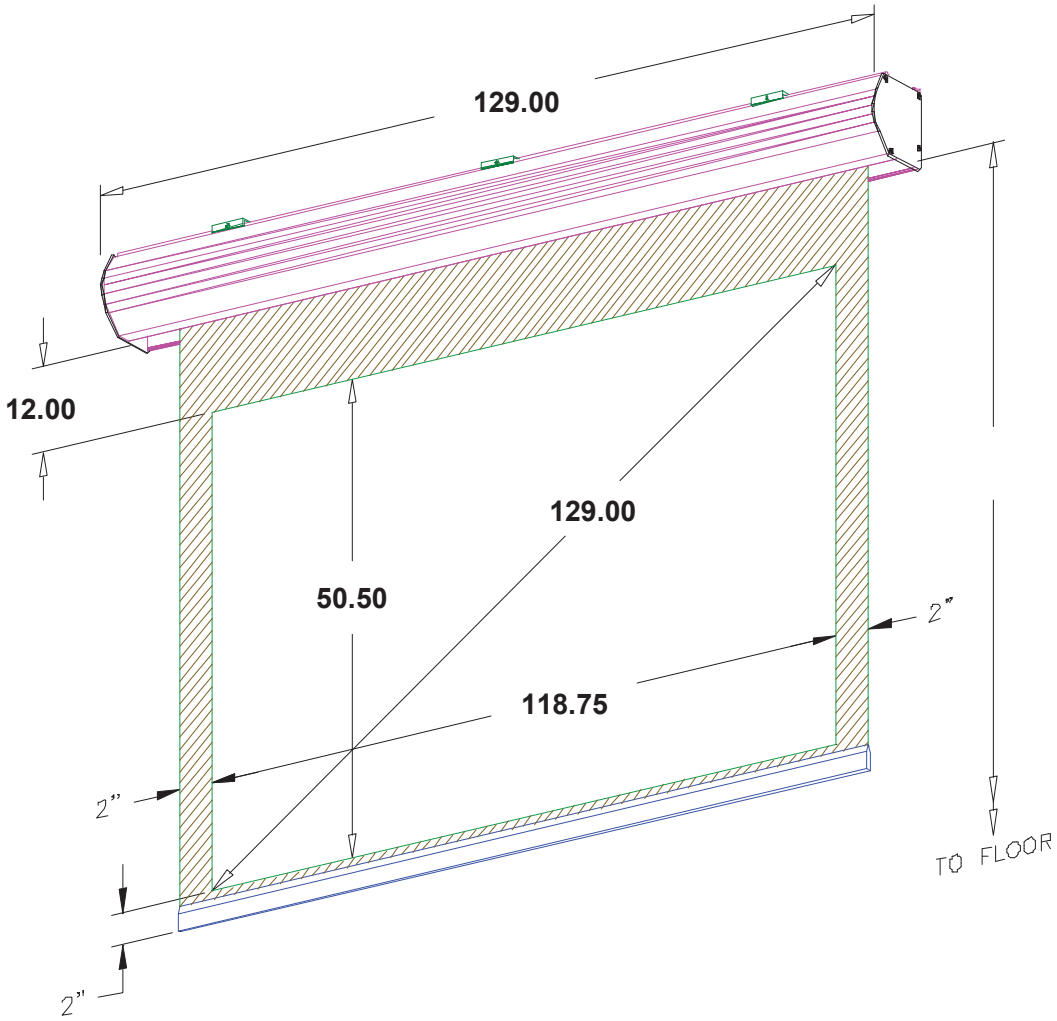
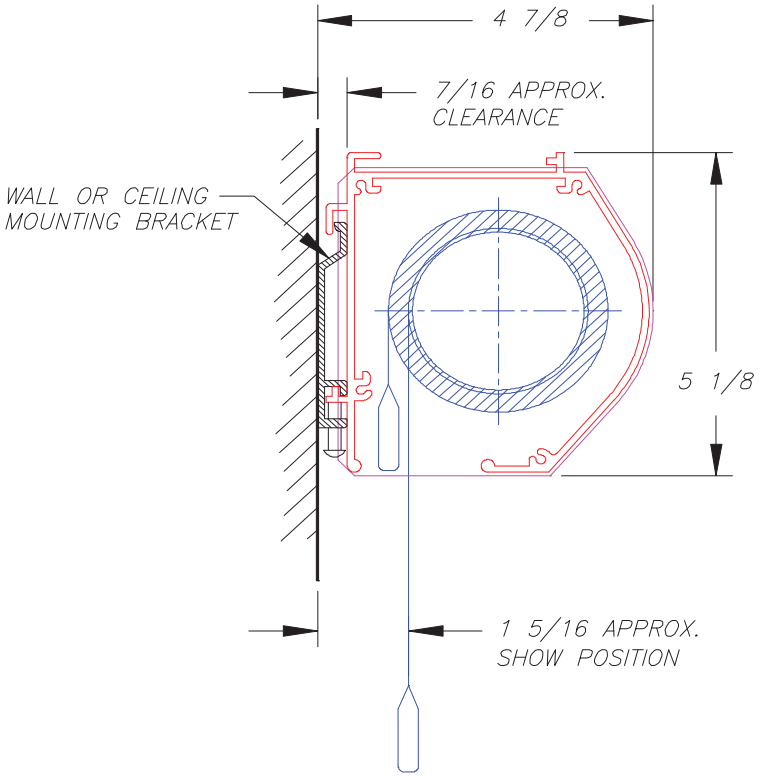


Date: _____ Dealer: _____ Client or Project No: _____ Phone: _____ PO#: _____

This quotation is valid for 30 days from the date shown. Fabric Surface: _____ Frame Finish: _____

LECTRIC 1 & RF 129"

2.35:1 | 90 lbs

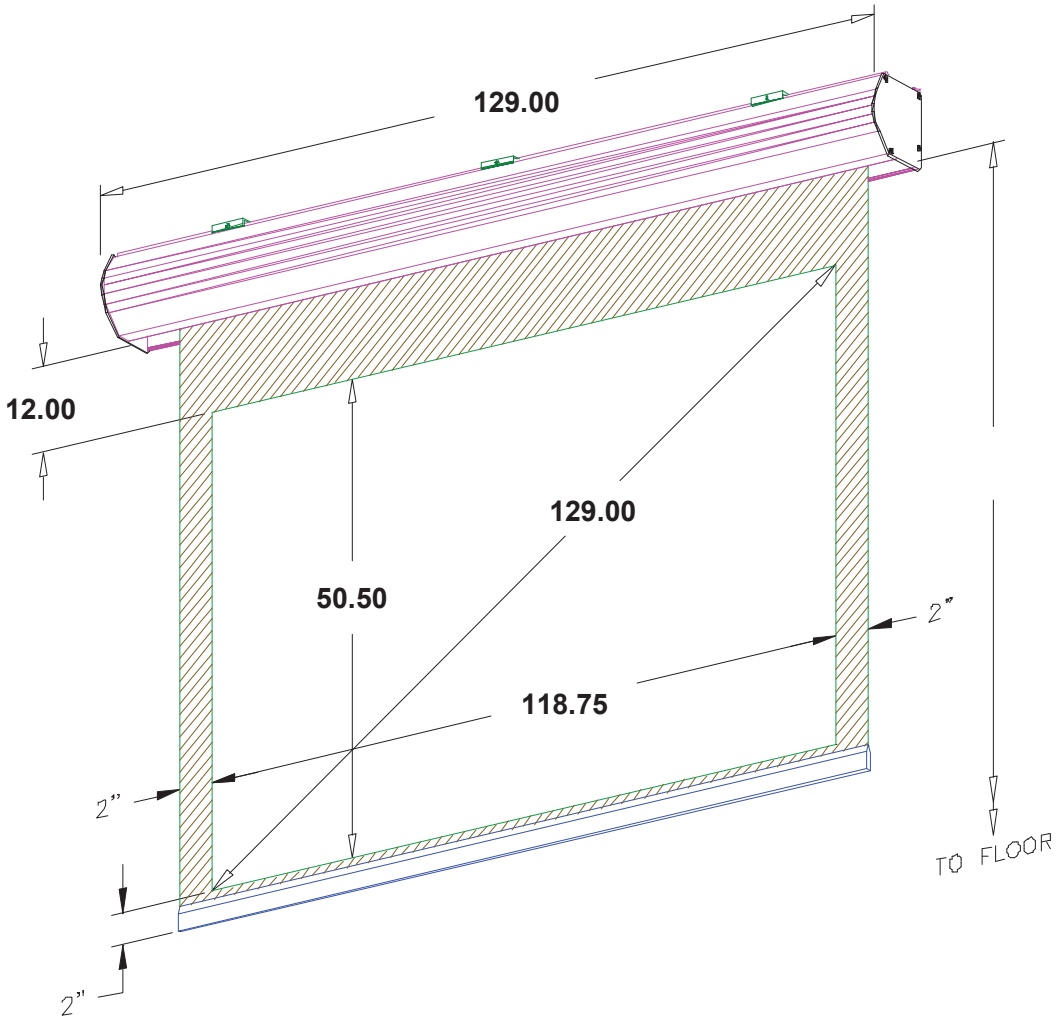
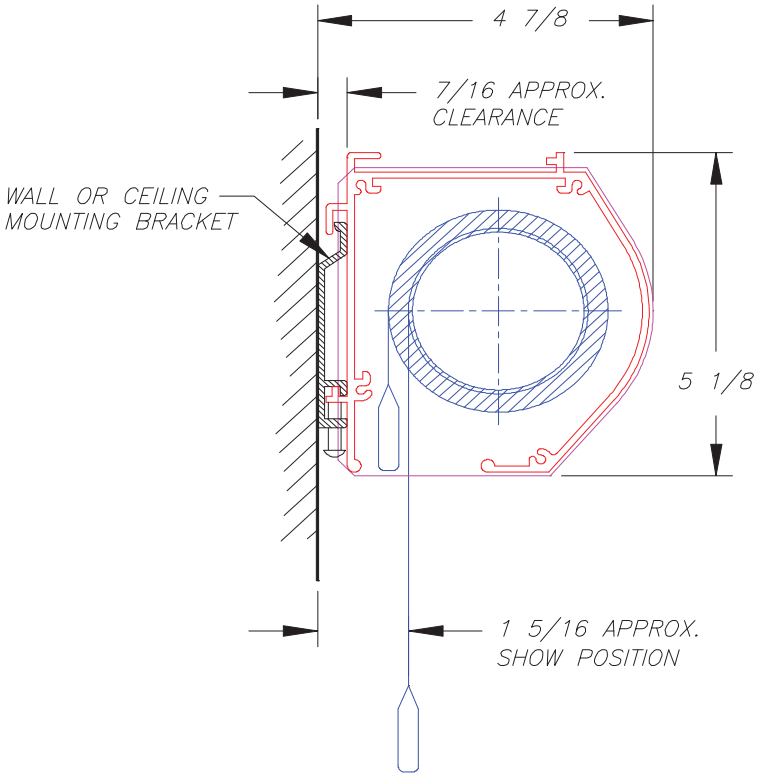


Date: _____ Dealer: _____ Client or Project No: _____ Phone: _____ PO#: _____

This quotation is valid for 30 days from the date shown. Fabric Surface: _____ Frame Finish: _____

LECTRIC 1 & RF 138"

2.35:1 | 95 lbs

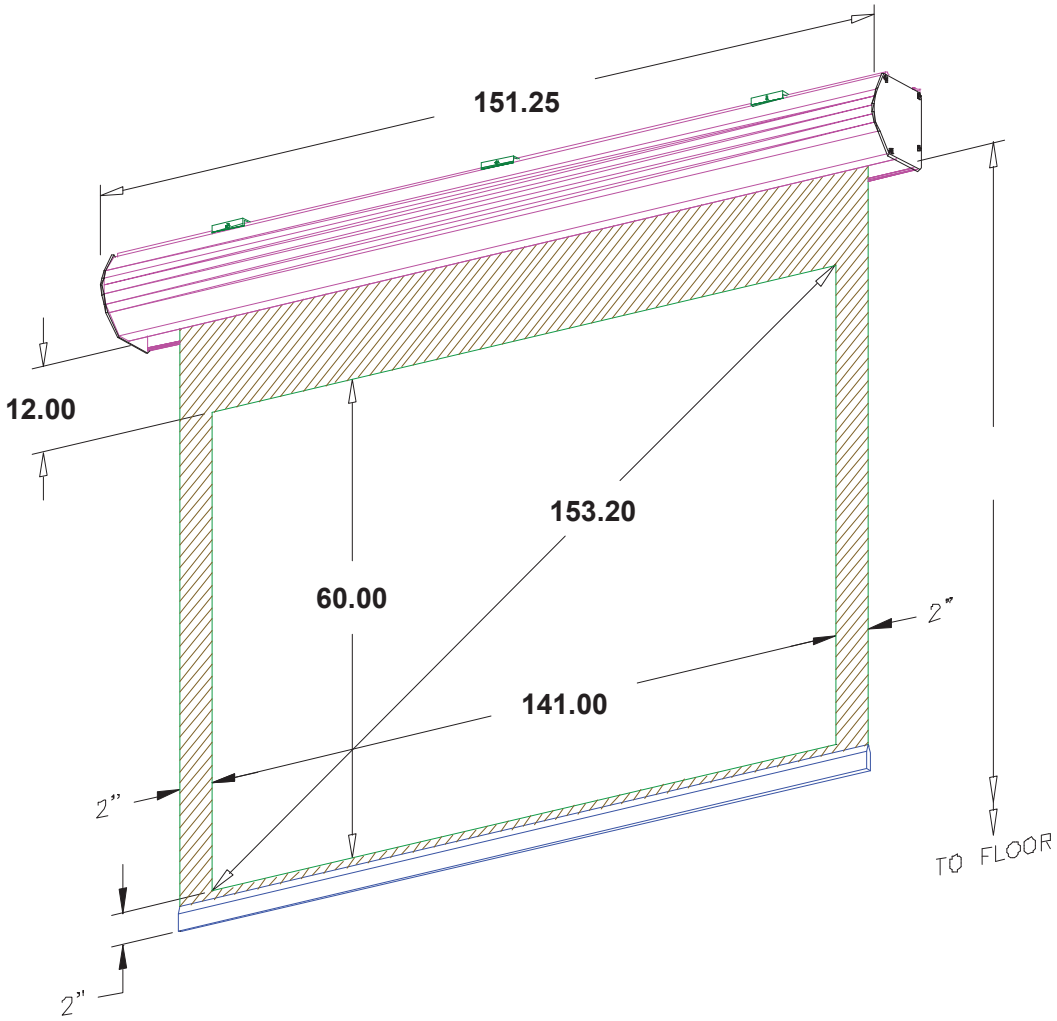
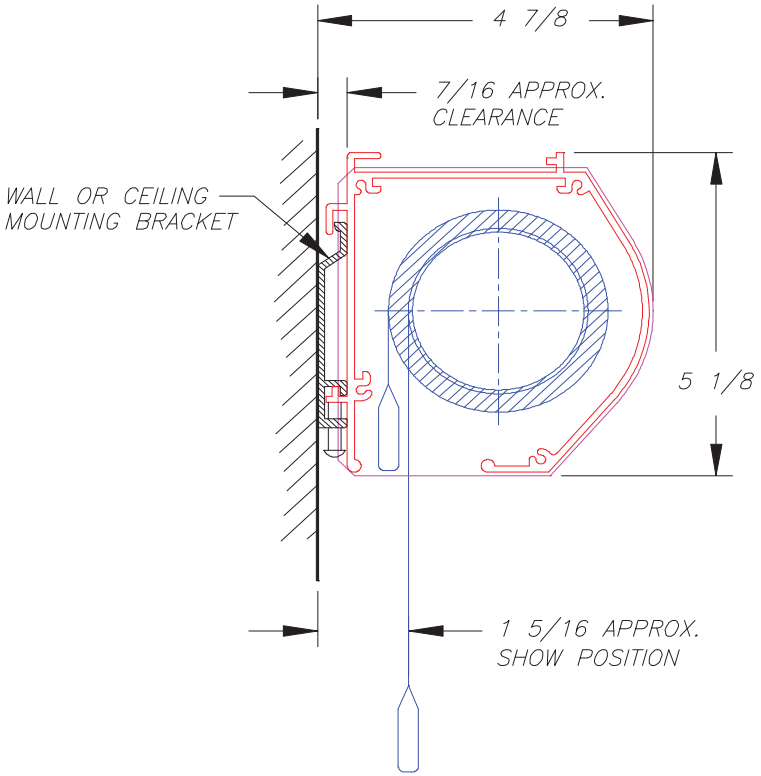


Date: _____ Dealer: _____ Client or Project No: _____ Phone: _____ PO#: _____

This quotation is valid for 30 days from the date shown. Fabric Surface: _____ Frame Finish: _____

LECTRIC 1 & RF 153"

2.35:1 | 103 lbs



Date: _____ Dealer: _____ Client or Project No: _____ Phone: _____ PO#: _____

This quotation is valid for 30 days from the date shown. Fabric Surface: _____ Frame Finish: _____