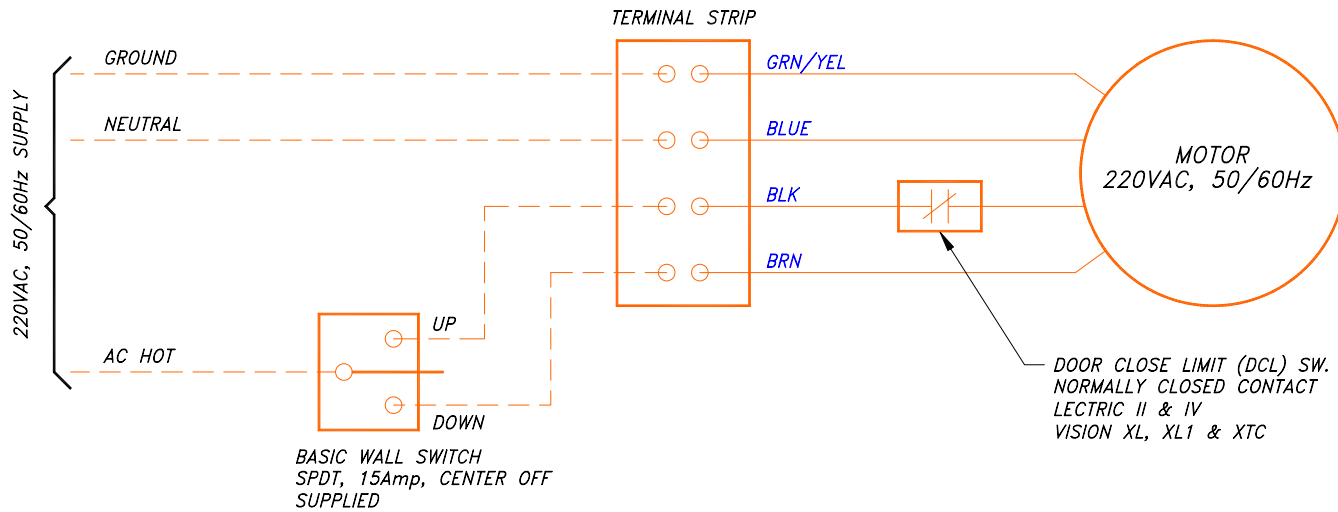


Quote No. \_\_\_\_\_

## WIRING DIAGRAM

### BASIC WALL SWITCH FOR LECTRIC I, II, III & IV VISION XL, XL1 & XTC



**Notes:**

- 1 - Dashed wirings shown are to be connected by installers.
- 2 - Wirings must conform to local and/or national electrical codes and regulations.
- 3 - Wirings must be of minimum 18 AWG.

CAD drawing – NOT TO SCALE

<i>Optional Control Specified</i>		
<i>Project No.</i>	<i>Originator</i>	<i>Date</i>
<i>Customer Signature</i>	<i>Special Notes</i>	<i>Date</i>



**VUTEC CORPORATION**

Phone: (800) 770-4700  
 Phone: (954) 545-9000  
 Fax: (954) 545-9011  
 E-mail: [info@vutec.com](mailto:info@vutec.com)  
 WWW.VUTEC.COM