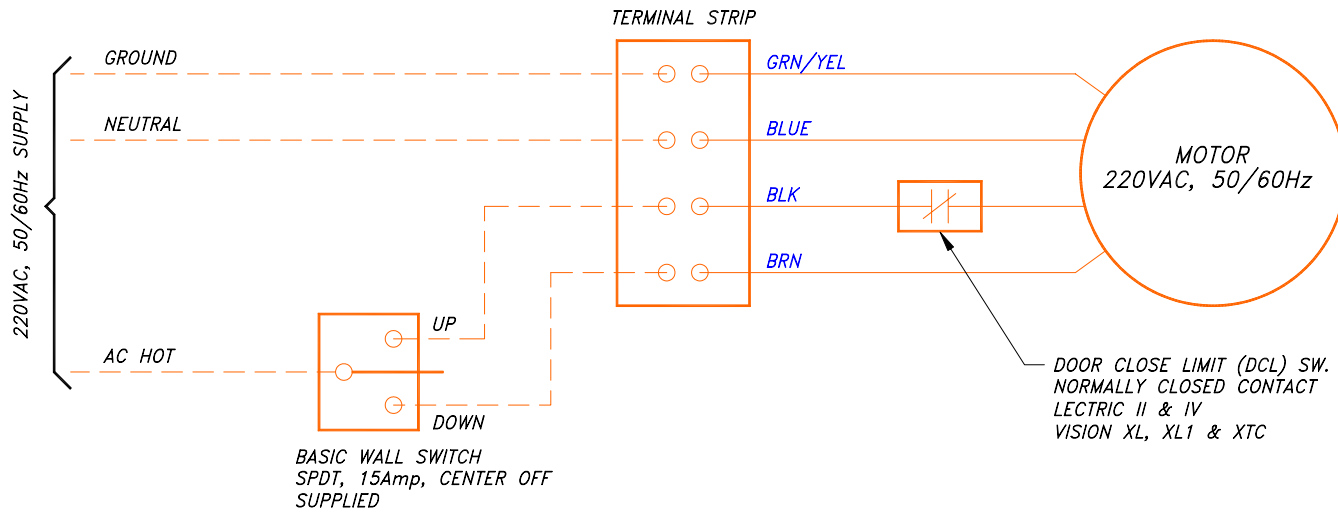


Quote No. _____

WIRING DIAGRAM

BASIC WALL SWITCH FOR LECTRIC I, II, III & IV VISION XL, XL1 & XTC



Notes:

- 1 - Dashed wirings shown are to be connected by installers.
- 2 - Wirings must conform to local and/or national electrical codes and regulations.
- 3 - Wirings must be of minimum 18 AWG.

CAD drawing – NOT TO SCALE

<i>Optional Control Specified</i>		
<i>Project No.</i>	<i>Originator</i>	<i>Date</i>
<i>Customer Signature</i>	<i>Special Notes</i>	<i>Date</i>



VUTEC CORPORATION

Phone: (800) 770-4700
 Phone: (954) 545-9000
 Fax: (954) 545-9011
 E-mail: info@vutec.com
 WWW.VUTEC.COM