

HOUSING LENGTH FOR TAB-TENSIONED SCREEN
 VIEWING WIDTH + 20 1/4 $\triangle B$

STEP 1

- 1 - DETERMINE THE HOUSING LENGTH. INSTALL THE FOUR WALL MOUNT BRACKETS. BE SURE THE TWO END BRACKETS MUST BE BETWEEN 4 TO 6 INCHES FROM END OF HOUSING FOR PROPER SUPPORT.
- 2 - INSTALLERS MUST DETERMINE PROPER WALL ANCHORS IF THE SCREWS SUPPLIED ARE NOT SUITABLE FOR THE INSTALLATION.
- 3 - BE SURE ALL THE WALL MOUNT BRACKETS ARE INLINE AND LEVELED.
- 4 - HANG THE SCREEN ONTO THE WALL MOUNT BRACKETS. MOVE SCREEN SIDE TO SIDE AS DESIRED. SEE STEP 2.
- 5 - MUST TIGHTEN THE #10-32 SCREWS TO LOCK THE HOUSING IN PLACED.
- 6 - ADD TOP SUPPORT BRACKETS TO HOUSING AS SHOWN. LOCATIONS SHOULD BE THE SAME AS WALL MOUNT BRACKETS. TIGHTEN #10-32 SCREWS OF EACH BRACKET.
- 7 - INSTALL THE SCREWS TO SECURE SUPPORT BRACKETS TO THE WALL.

THE INFORMATION CONTAINED IN THIS DRAWING IS THE SOLE PROPERTY OF VUTEC CORPORATION AND REPRODUCTION IN PART OR AS A WHOLE WITHOUT THE WRITTEN PERMISSION OF VUTEC CORPORATION IS PROHIBITED

VUTEC CORPORATION

11711 W. SAMPLE ROAD. CORAL SPRINGS, FL 33065

DRAWN BY
05/11/17 TM
CHECKED BY

DESCRIPTION
**WALL INSTALLATION
LECTRIC 1-C & 3-C**

DRAWING NO.
L1C_L3C-INSTL
SCALE: 1/12
REV B

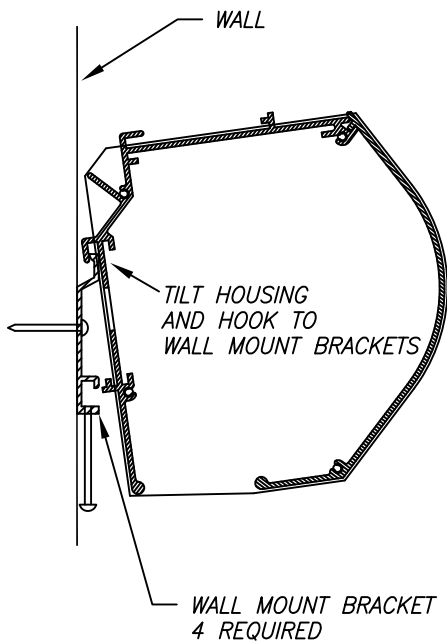


FIGURE 1

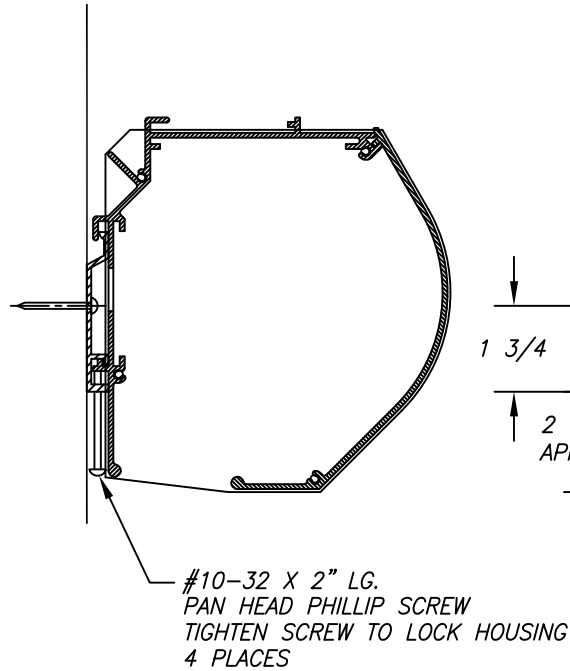


FIGURE 2

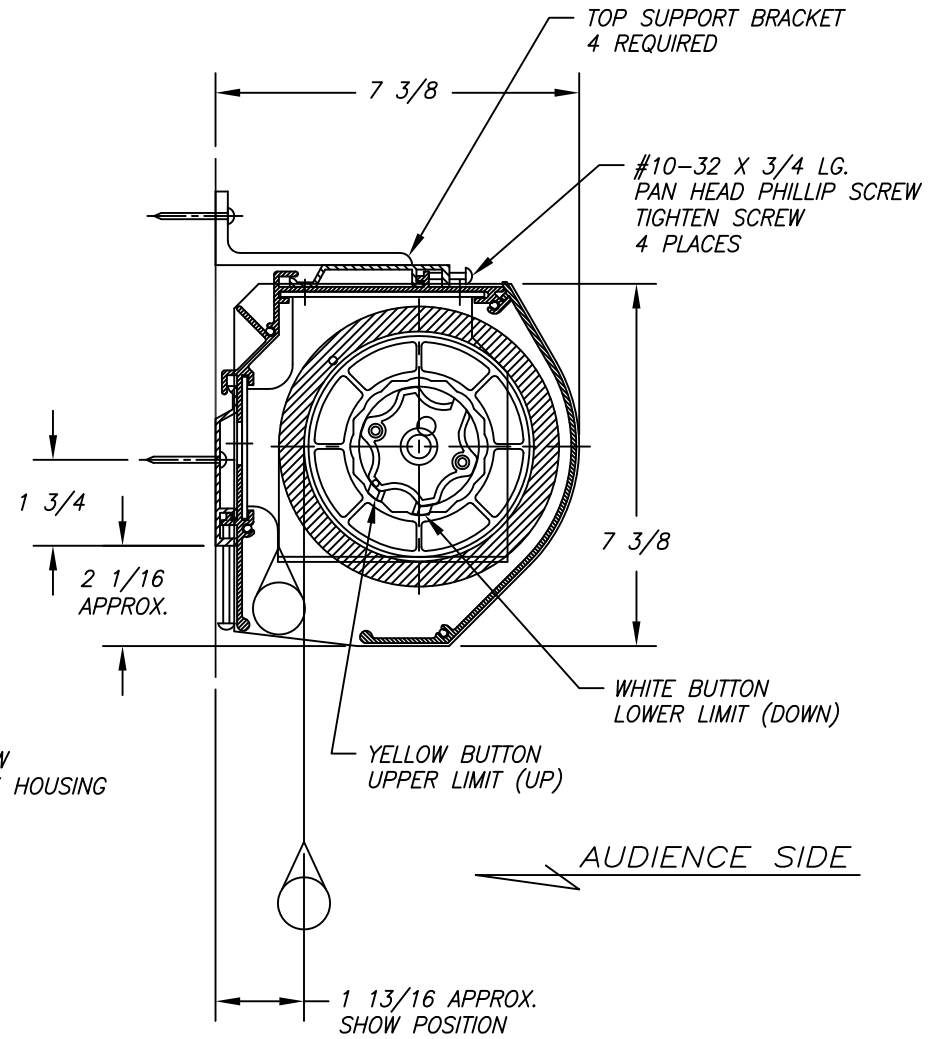


FIGURE 3

STEP 2

- 1 - BE SURE ALL WALL MOUNT BRACKETS ARE INLINE AND LEVELED.
- 2 - TILT HOUSING AT A SLIGHT ANGLE AND HOOK IT TO WALL MOUNT BRACKETS AS SHOWN IN FIGURE 1.
- 3 - HOUSING SHOULD BE SIT AND HANG STRAIGHT DOWN OF WALL AS SHOWN IN FIGURE 2.
- 4 - BE SURE TO TIGHTEN SCREWS TO LOCK HOUSING IN PLACE.
- 5 - REMOVE LEFT SIDE END CAP TO REVEAL MOTOR WIRING.
- 6 - REVIEW WIRING DIAGRAM AND PREPARE ELECTRICAL CONNECTIONS.
A 4-CONDUCTOR PIGTAIL MAY BE REPLACED WITH NEW 4-CONDUCTOR FOR ONE CONTINUOUS CONNECTION TO THE WALL SWITCH.

THE INFORMATION CONTAINED IN THIS DRAWING IS THE SOLE PROPERTY OF VUTEC CORPORATION AND REPRODUCTION IN PART OR AS A WHOLE WITHOUT THE WRITTEN PERMISSION OF VUTEC CORPORATION IS PROHIBITED

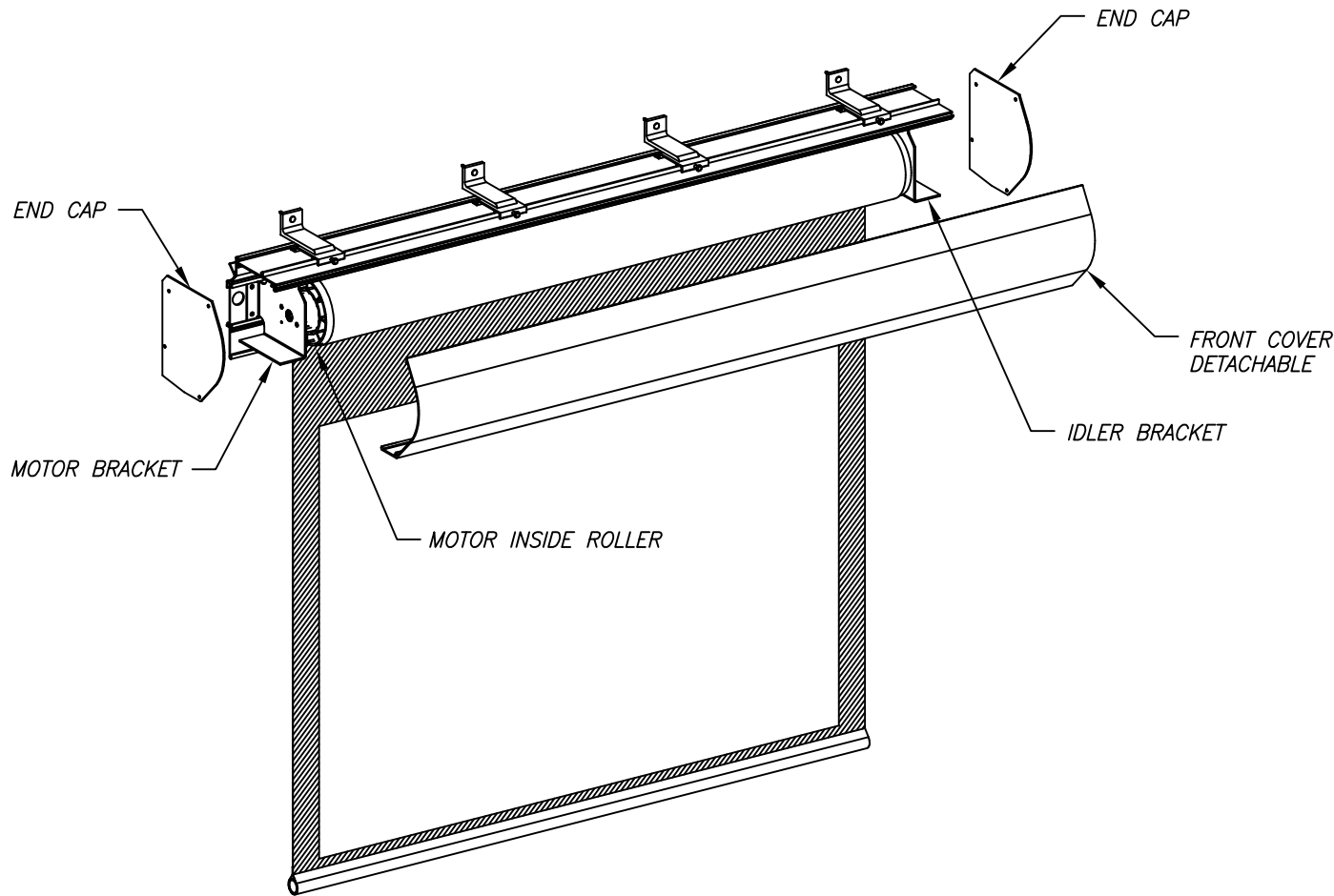
VUTEC CORPORATION

11711 W. SAMPLE ROAD. CORAL SPRINGS, FL 33065

DRAWN BY
05/11/17 TM
CHECKED BY

DESCRIPTION
WALL INSTALLATION
LECTRIC 1-C & 3-C

DRAWING NO.
L1C_L3C-INSTL
SCALE: 1/12
REV B



SERVICING THE MOTOR OR REPLACING NEW SCREEN ROLLER

- 1 - WARNING: THE FOLLOWING STEPS SHOULD NOT BE DONE UNLESS ALL WALL MOUNT BRACKETS AND TOP SUPPORT BRACKETS ARE INSTALLED.
- 2 - REMOVE THE END CAPS WHILE SUPPORTING THE FRONT COVER.
- 3 - DETACH THE FRONT COVER FROM THE HOUSING.
- 4 - TURN OFF POWER TO THE SCREEN AND DISCONNECT MOTOR WIRES FROM TERMINAL STRIP.
- 5 - SUPPORT THE ROLLER WHILE LOOSEN THE SET SCREWS OF THE IDLER BRACKET. SLIDE IT TOWARD THE RIGHT END TO CLEAR THE ROLLER SHAFT.
- 6 - MOVE THE ROLLER INCLUDING THE MOTOR SLIGHTLY TO THE RIGHT; THE MOTOR HEAD SHOULD BECOME CLEAR OF ITS BRACKET.
- 7 - LOWER THE COMPLETE ROLLER TO A SAFE WORKING LEVEL. THE MOTOR MAY BE PULLED OUT OF THE ROLLER TUBE.
- 8 - REVERSING THE STEPS TO REINSTALL THE COMPLETE ROLLER ASSEMBLY.
- 9 - BE SURE THE MOTOR LIMIT BUTTONS FACING THE OPENING OF THE HOUSING WHEN PLACING IT BACK. SEE FIGURE 3 OF STEP 2.

THE INFORMATION CONTAINED IN THIS DRAWING IS THE SOLE PROPERTY OF VUTEC CORPORATION AND REPRODUCTION IN PART OR AS A WHOLE WITHOUT THE WRITTEN PERMISSION OF VUTEC CORPORATION IS PROHIBITED

VUTEC CORPORATION

11711 W. SAMPLE ROAD. CORAL SPRINGS, FL 33065

DRAWN BY
05/11/17 TM
CHECKED BY

DESCRIPTION
WALL INSTALLATION
LECTRIC 1-C & 3-C

DRAWING NO.
L1C_L3C-INSTL
SCALE: 1/12
REV B