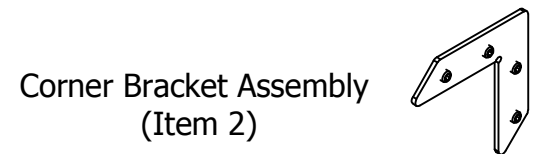
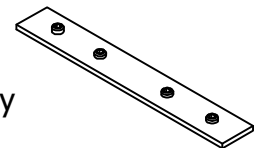


Frame Assembly and Mounting Instructions:

- 1 - Assemble horizontal frame (Item 3) and vertical frame (Item 1) sections together using corner bracket assemblies (Item 2). Note: Depending on length of frame, splicing bracket assemblies (Item 4) may be required.
- 2 - Position assembled frame onto wall and ensure that frame is level.
- 3 - Use pre-drilled holes in frame to mark anchoring points for frame.
- 4 - Make sure that the wall is straight and plumb. If it is not you should shim the frame out from the wall to achieve this.
- 5 - Be sure to use the proper style and size of Anchor that is required by your local building code to secure the Frame to the wall and that it is flush with the wall.

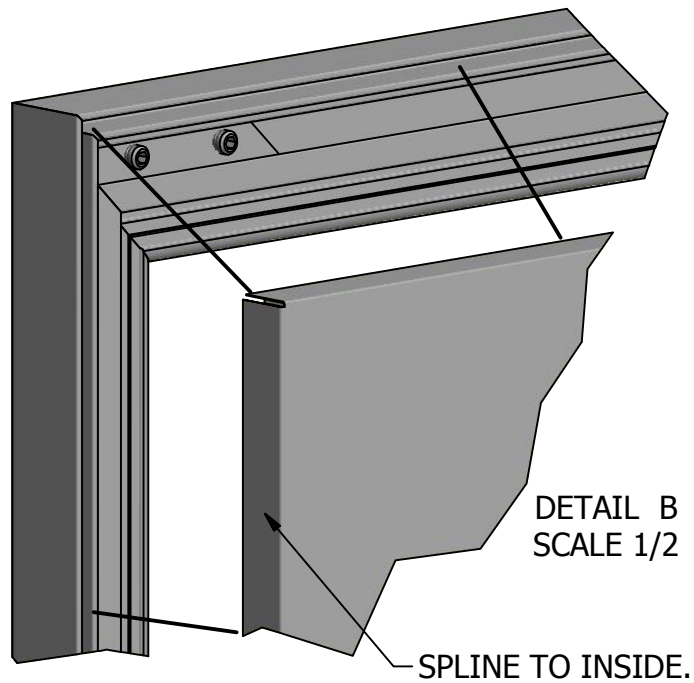


Corner Bracket Assembly
(Item 2)

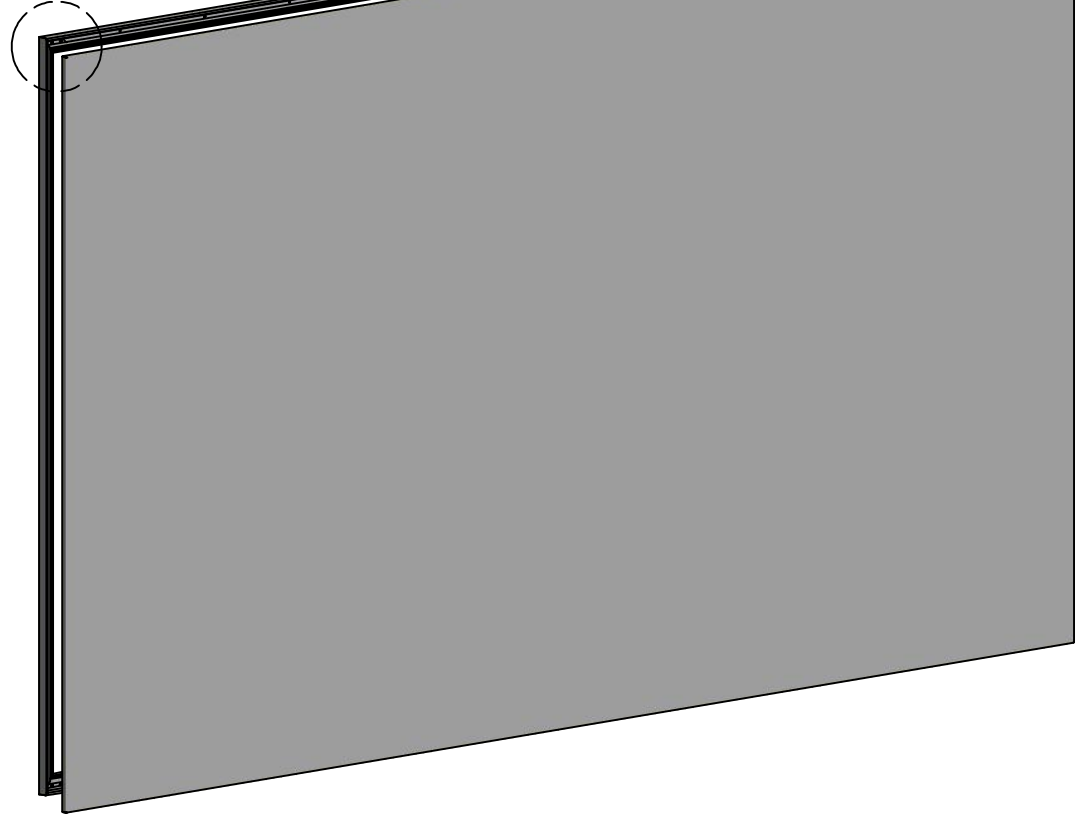


Splicing Bracket Assembly
(Item 4)

THE INFORMATION CONTAINED IN THIS DRAWING IS THE SOLE PROPERTY OF VUTEC CORPORATION AND REPRODUCTION IN PART OR AS A WHOLE WITHOUT THE WRITTEN PERMISSION OF VUTEC CORPORATION IS PROHIBITED	VUTEC CORPORATION 11711 W. SAMPLE ROAD. CORAL SPRINGS, FL 33065		DRAWING NO.	
	DRAWN BY 08/12/16 RGH	DESCRIPTION Stiletto Frame, Assembly and Mounting Instructions	SCALE: NONE	REV X
CHECKED BY 2/27/17 BJP				



B



Note:

- 6 - Now that you have the frame secured to the wall you are ready to attach the screen.
- 7 - Carefully take the screen roll and insert one end of the screen & spline into the vertical end of the frame.
- Do not over stretch Screen material.**
- 8 - Now carefully un-roll the screen material across the frame.
- 9 - Insert the top of the screen & spline into the upper channel. Again do not over stretch screen material.
- 10 - Repeat with the lower section of the screen. Making sure the Top & Bottom are even.
- 11 - Now insert the Vertical Screen Section again careful not to over stretch the Screen material.

<small>THE INFORMATION CONTAINED IN THIS DRAWING IS THE SOLE PROPERTY OF VUTECH CORPORATION AND REPRODUCTION IN PART OR AS A WHOLE WITHOUT THE WRITTEN PERMISSION OF VUTECH CORPORATION IS PROHIBITED</small>	<h1>VUTECH CORPORATION</h1> <p>11711 W. SAMPLE ROAD. CORAL SPRINGS, FL 33065</p>		DRAWING NO.	
	<small>DRAWN BY</small> 2/27/17 BJP	Stiletto Frame, Assembly and Mounting Instructions		<small>SCALE:</small>
<small>CHECKED BY</small>	NONE			X