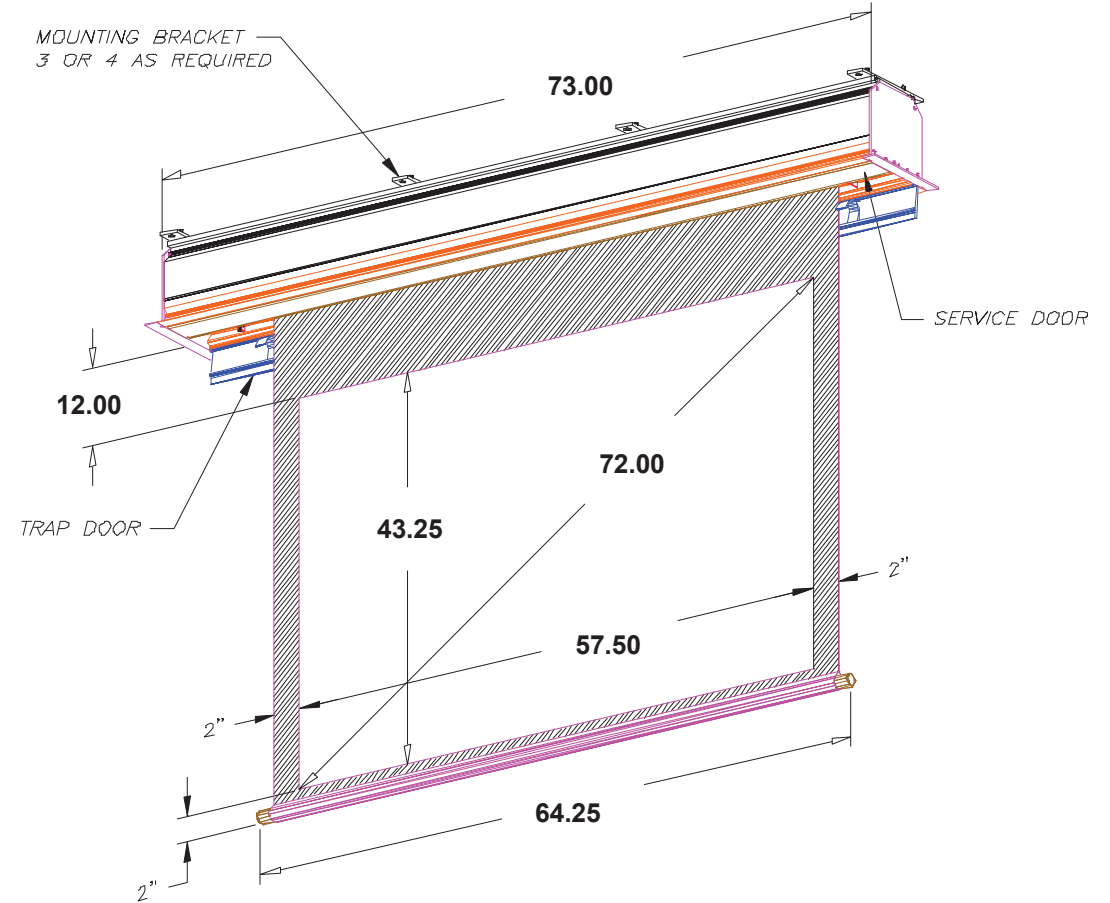
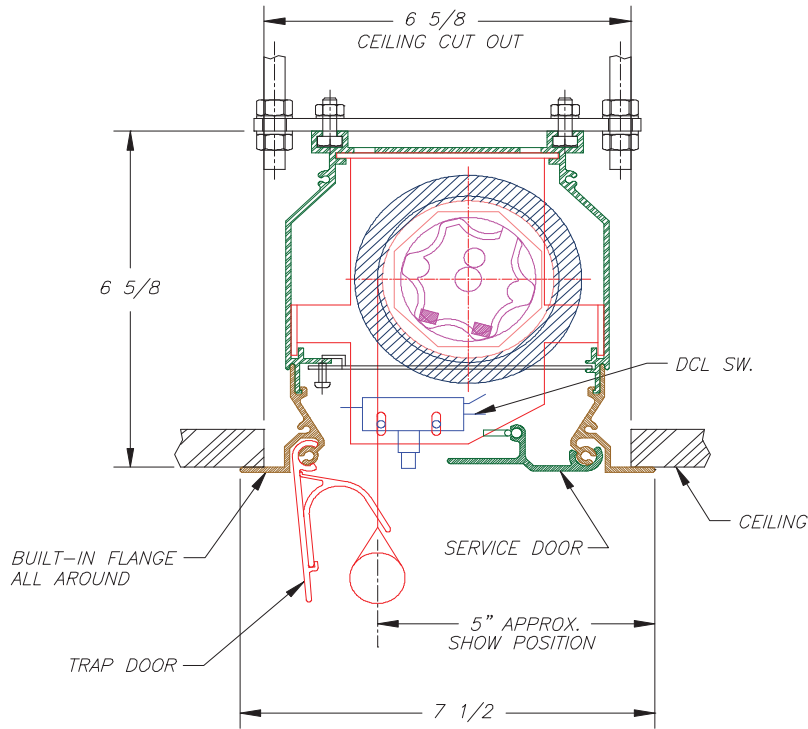


# LECTRIC 2 72"

4:3 | 77 lbs



Date: \_\_\_\_\_ Dealer: \_\_\_\_\_ Client or Project No: \_\_\_\_\_ Phone: \_\_\_\_\_ PO#: \_\_\_\_\_

Note: Approx ceiling cut out for housing length = 73.50" This quotation is valid for 30 days from the date shown.

Fabric Surface: \_\_\_\_\_ Frame Finish: \_\_\_\_\_

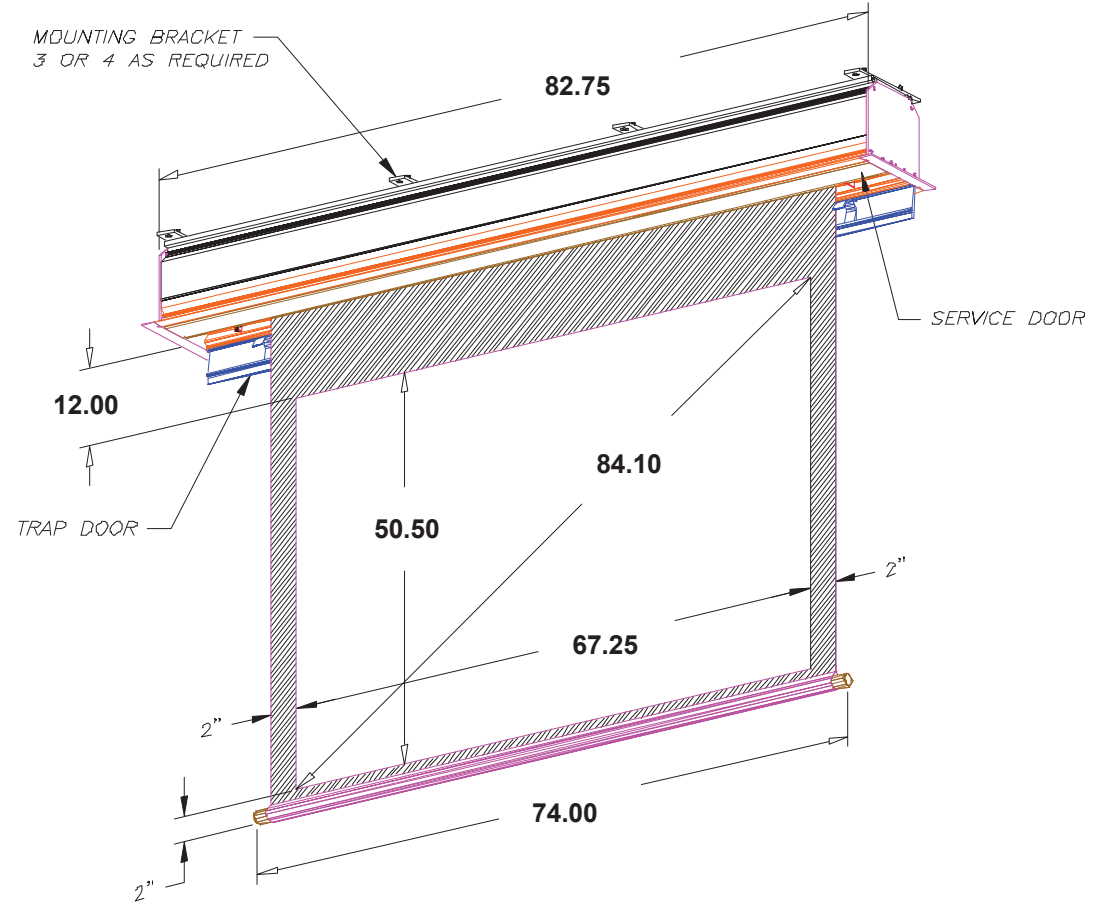
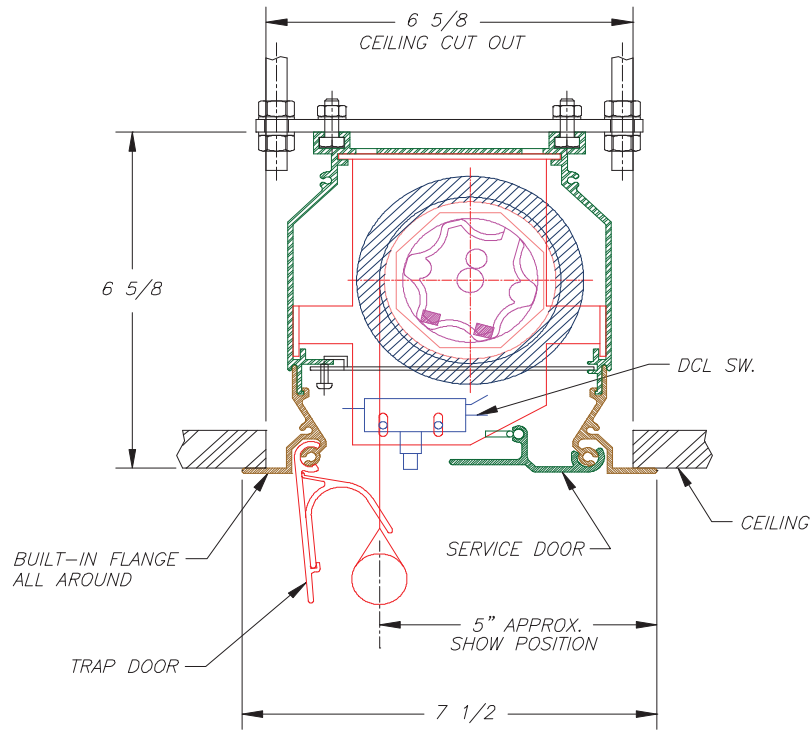


11711 W. Sample Road Coral Springs, FL 33065-3155  
T +1 (800) 770-4700 | F +1 (800) 548-5885 | T 954 545-9000 | Fax 954 545-9001  
vutec.com



# LECTRIC 2 84"

4:3 | 84 lbs



Date: \_\_\_\_\_ Dealer: \_\_\_\_\_ Client or Project No: \_\_\_\_\_ Phone: \_\_\_\_\_ PO#: \_\_\_\_\_

Note: Approx ceiling cut out for housing length = 83.25" This quotation is valid for 30 days from the date shown.

Fabric Surface: \_\_\_\_\_ Frame Finish: \_\_\_\_\_

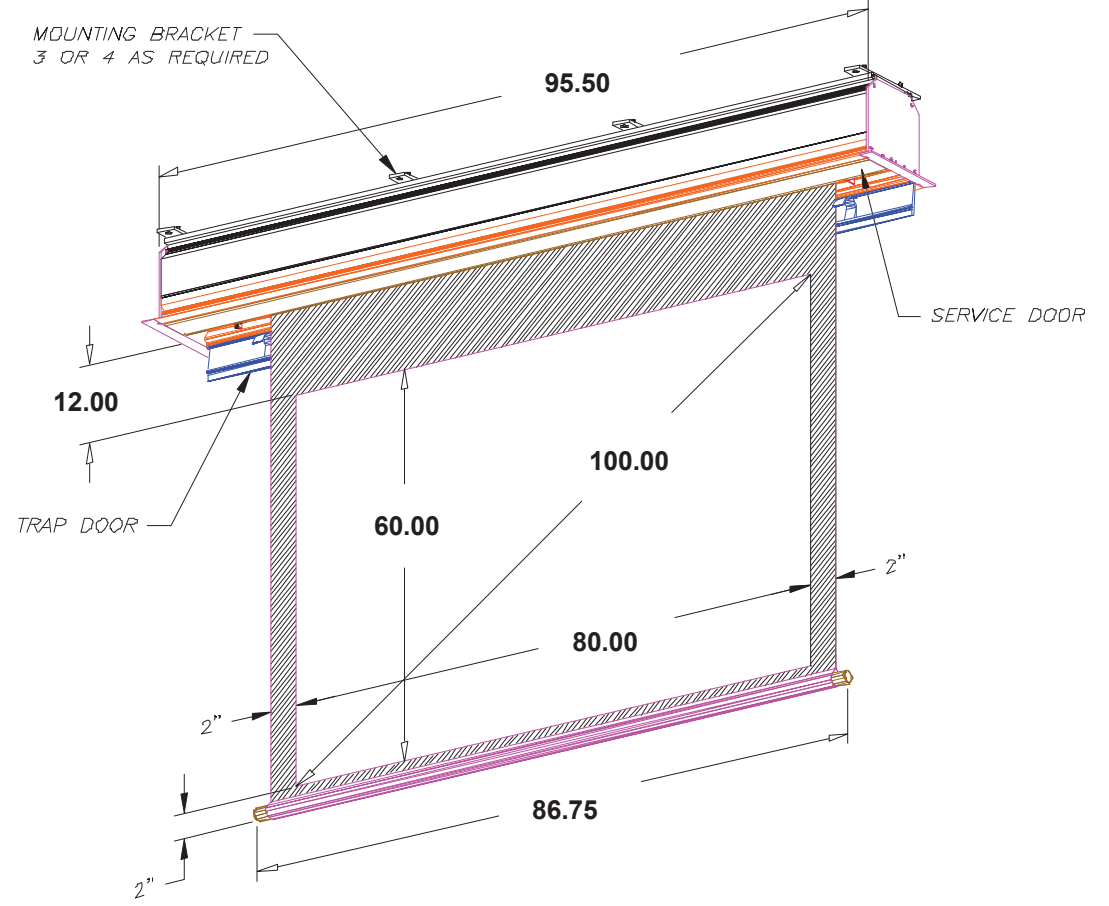
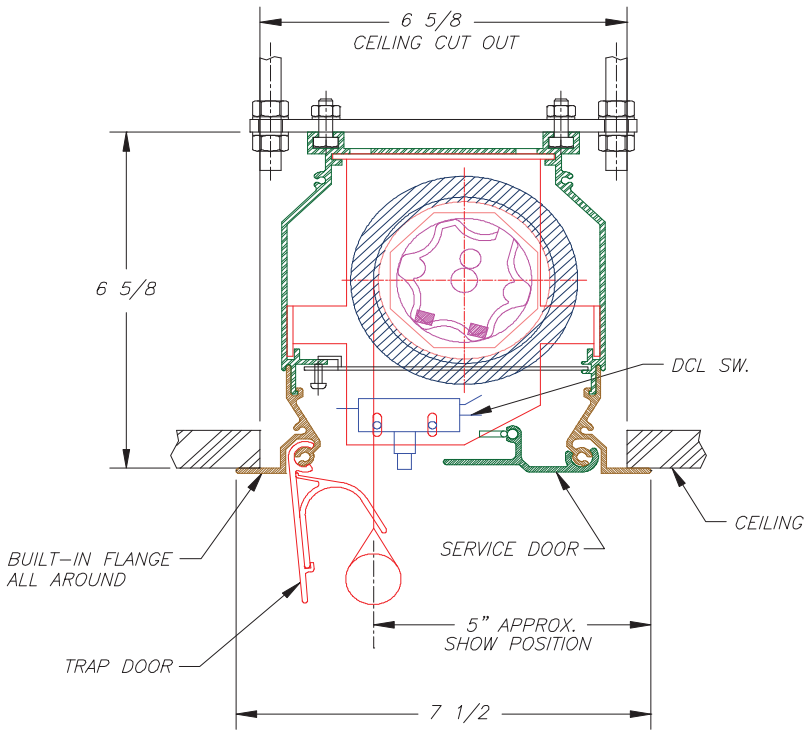


11711 W. Sample Road Coral Springs, FL 33065-3155  
T +1 (800) 770-4700 | F +1 (800) 548-5885 | T 954 545-9000 | Fax 954 545-9001  
vutec.com

vuteccorporation VutecCorp vuteccorp @Vutec

# LECTRIC 2 100"

4:3 | 94 lbs



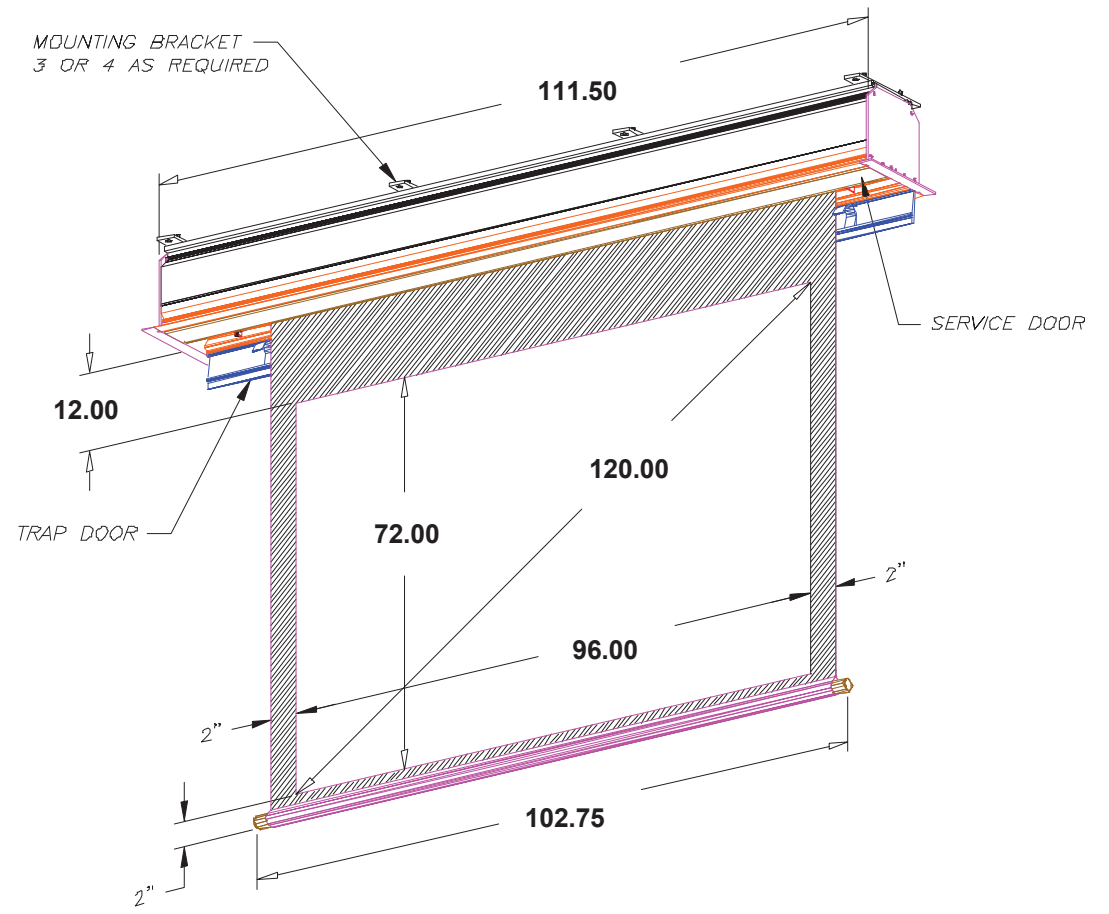
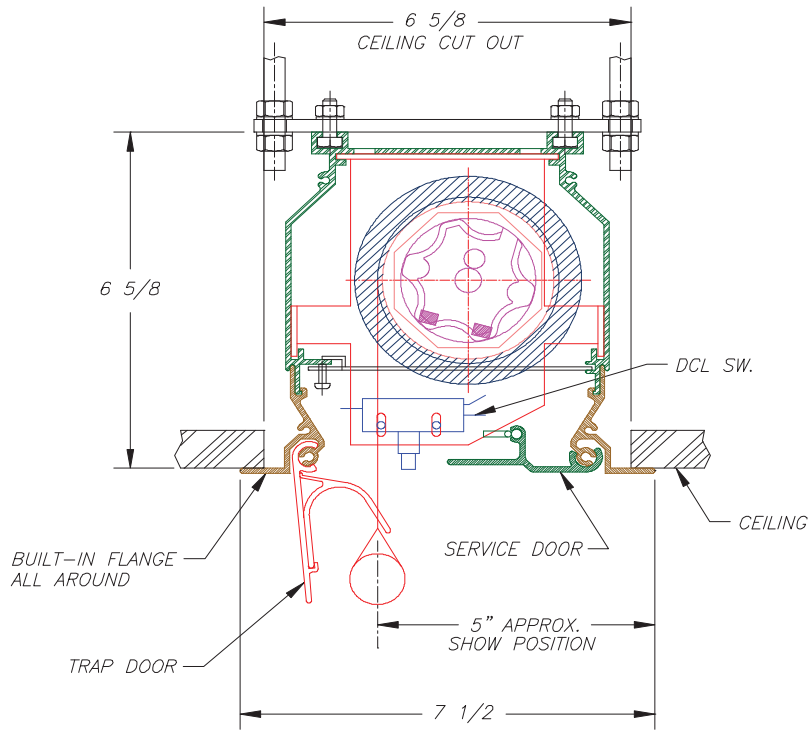
Date: \_\_\_\_\_ Dealer: \_\_\_\_\_ Client or Project No: \_\_\_\_\_ Phone: \_\_\_\_\_ PO#: \_\_\_\_\_

Note: Approx ceiling cut out for housing length = 96"  
This quotation is valid for 30 days from the date shown.

Fabric Surface: \_\_\_\_\_ Frame Finish: \_\_\_\_\_

# LECTRIC 2 120"

4:3 | 107 lbs



Date: \_\_\_\_\_ Dealer: \_\_\_\_\_ Client or Project No: \_\_\_\_\_ Phone: \_\_\_\_\_ PO#: \_\_\_\_\_

Note: Approx ceiling cut out for housing length = 112"  
This quotation is valid for 30 days from the date shown.

Fabric Surface: \_\_\_\_\_ Frame Finish: \_\_\_\_\_

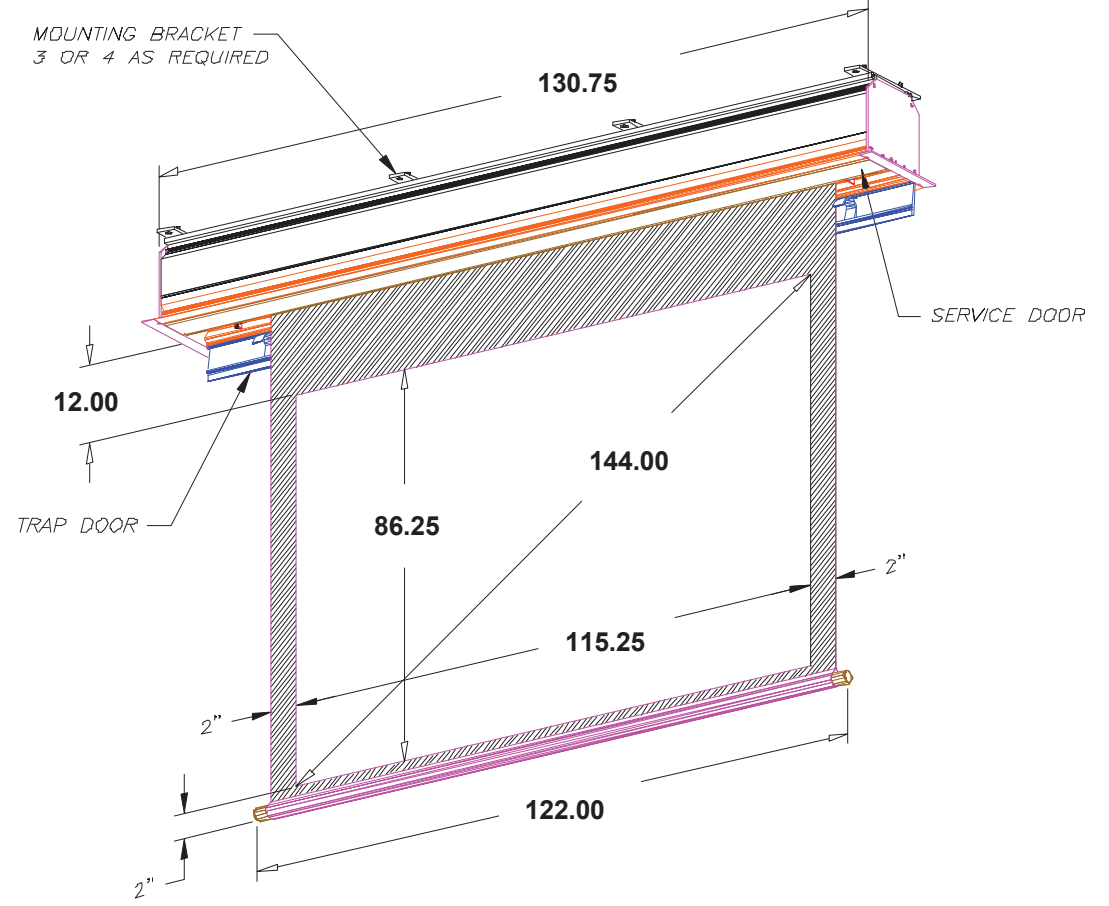
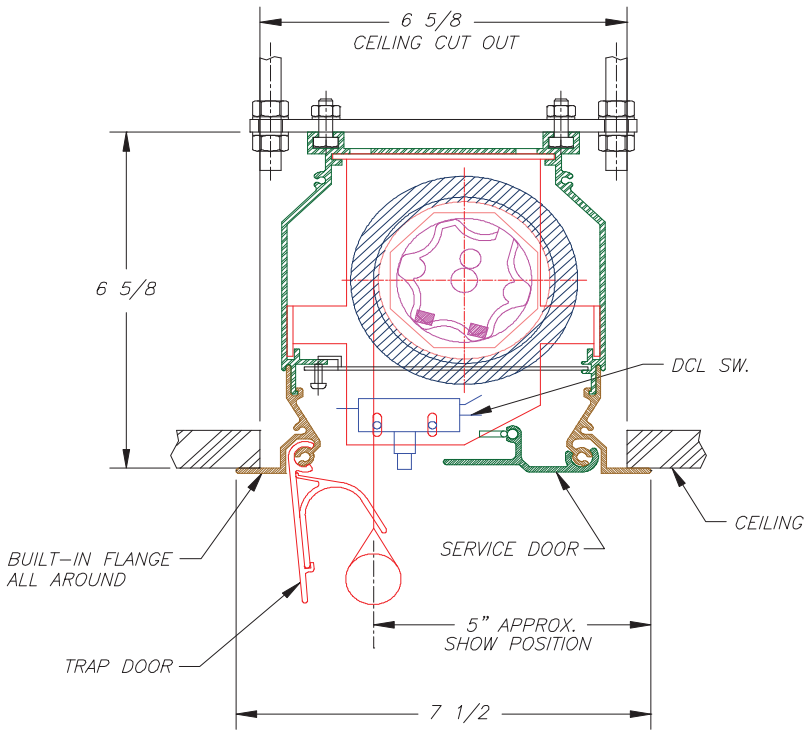


11711 W. Sample Road Coral Springs, FL 33065-3155  
T +1 (800) 770-4700 | F +1 (800) 548-5885 | T 954 545-9000 | Fax 954 545-9001  
vutec.com



# LECTRIC 2 144"

4:3 | 124 lbs



Date: \_\_\_\_\_ Dealer: \_\_\_\_\_ Client or Project No: \_\_\_\_\_ Phone: \_\_\_\_\_ PO#: \_\_\_\_\_

Note: Approx ceiling cut out for housing length = 131.25"  
This quotation is valid for 30 days from the date shown.

Fabric Surface: \_\_\_\_\_ Frame Finish: \_\_\_\_\_

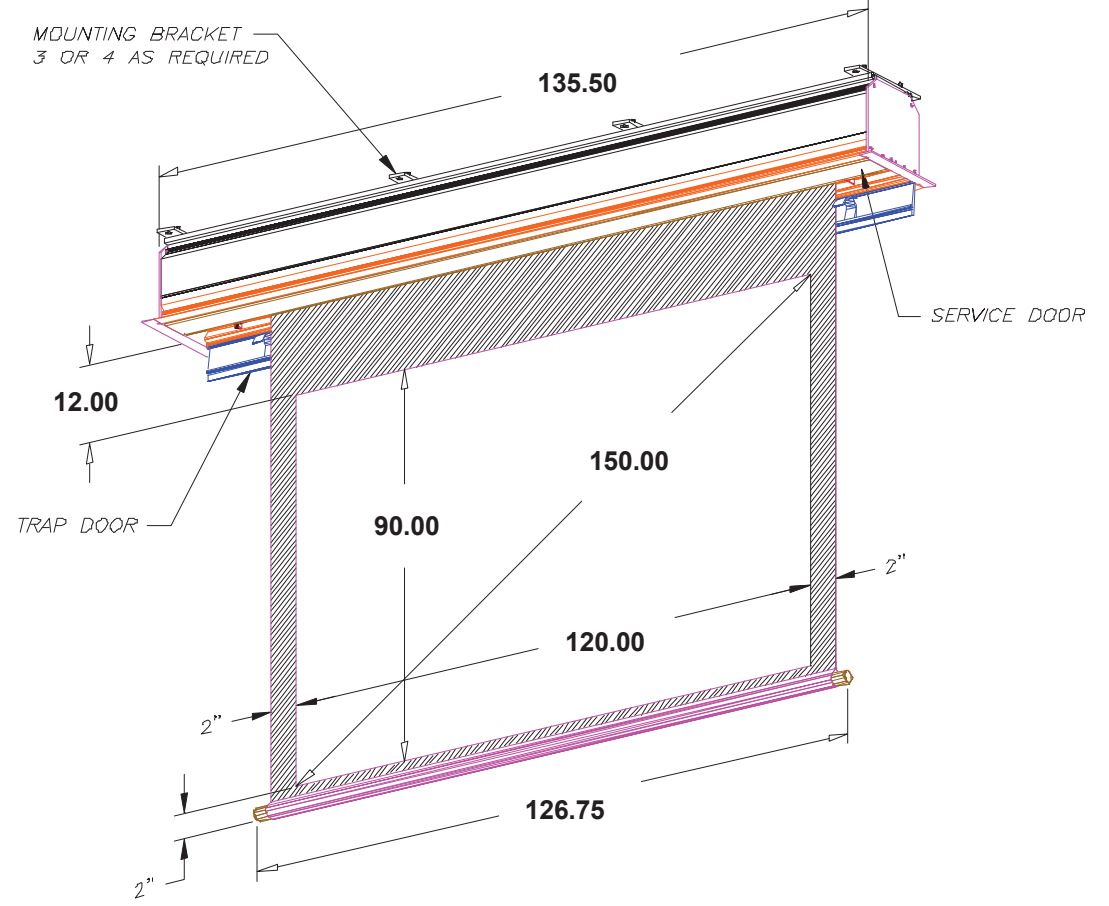
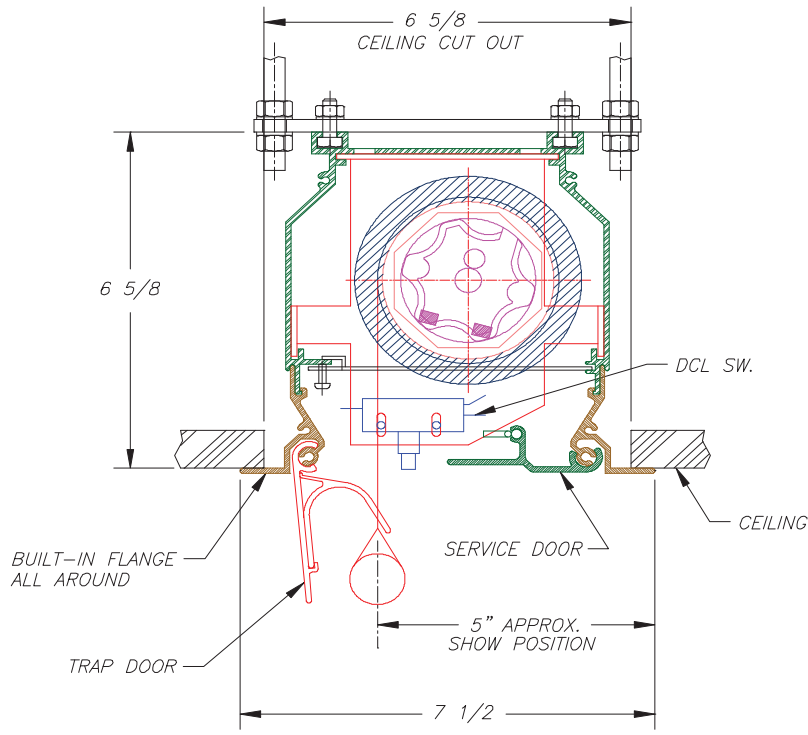


11711 W. Sample Road Coral Springs, FL 33065-3155  
T +1 (800) 770-4700 | F +1 (800) 548-5885 | T 954 545-9000 | Fax 954 545-9001  
vutec.com



# LECTRIC 2 150"

4:3 | 128 lbs



Date: \_\_\_\_\_ Dealer: \_\_\_\_\_ Client or Project No: \_\_\_\_\_ Phone: \_\_\_\_\_ PO#: \_\_\_\_\_

Note: Approx ceiling cut out for housing length = 136"  
This quotation is valid for 30 days from the date shown.

Fabric Surface: \_\_\_\_\_ Frame Finish: \_\_\_\_\_

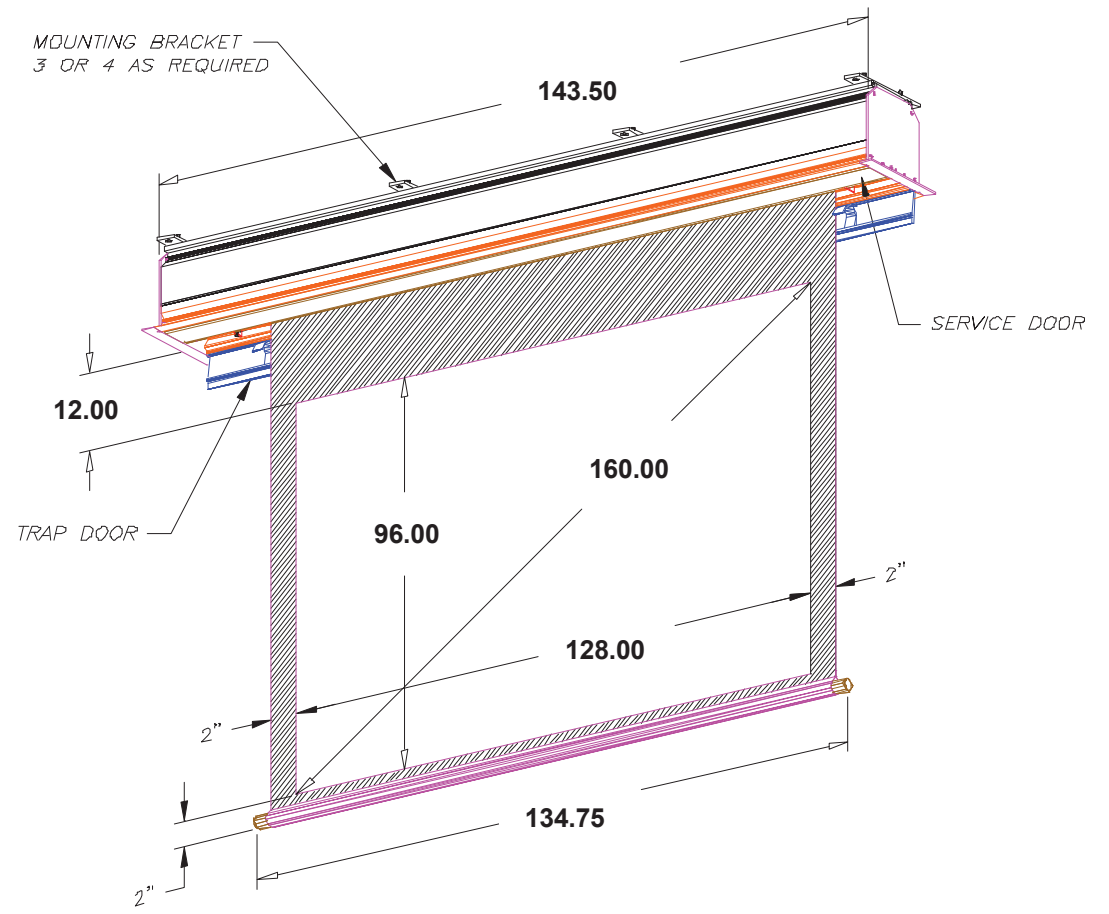
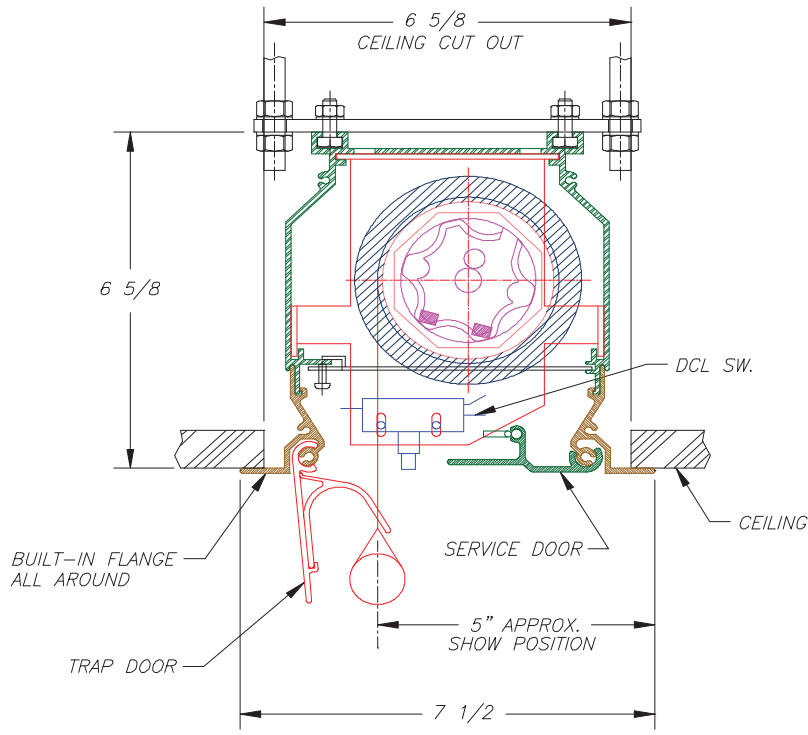


11711 W. Sample Road Coral Springs, FL 33065-3155  
T +1 (800) 770-4700 | F +1 (800) 548-5885 | T 954 545-9000 | Fax 954 545-9001  
vutec.com



# LECTRIC 2 160"

4:3 | 136 lbs



Date: \_\_\_\_\_ Dealer: \_\_\_\_\_ Client or Project No: \_\_\_\_\_ Phone: \_\_\_\_\_ PO#: \_\_\_\_\_

Note: Approx ceiling cut out for housing length = 144"  
This quotation is valid for 30 days from the date shown.

Fabric Surface: \_\_\_\_\_ Frame Finish: \_\_\_\_\_

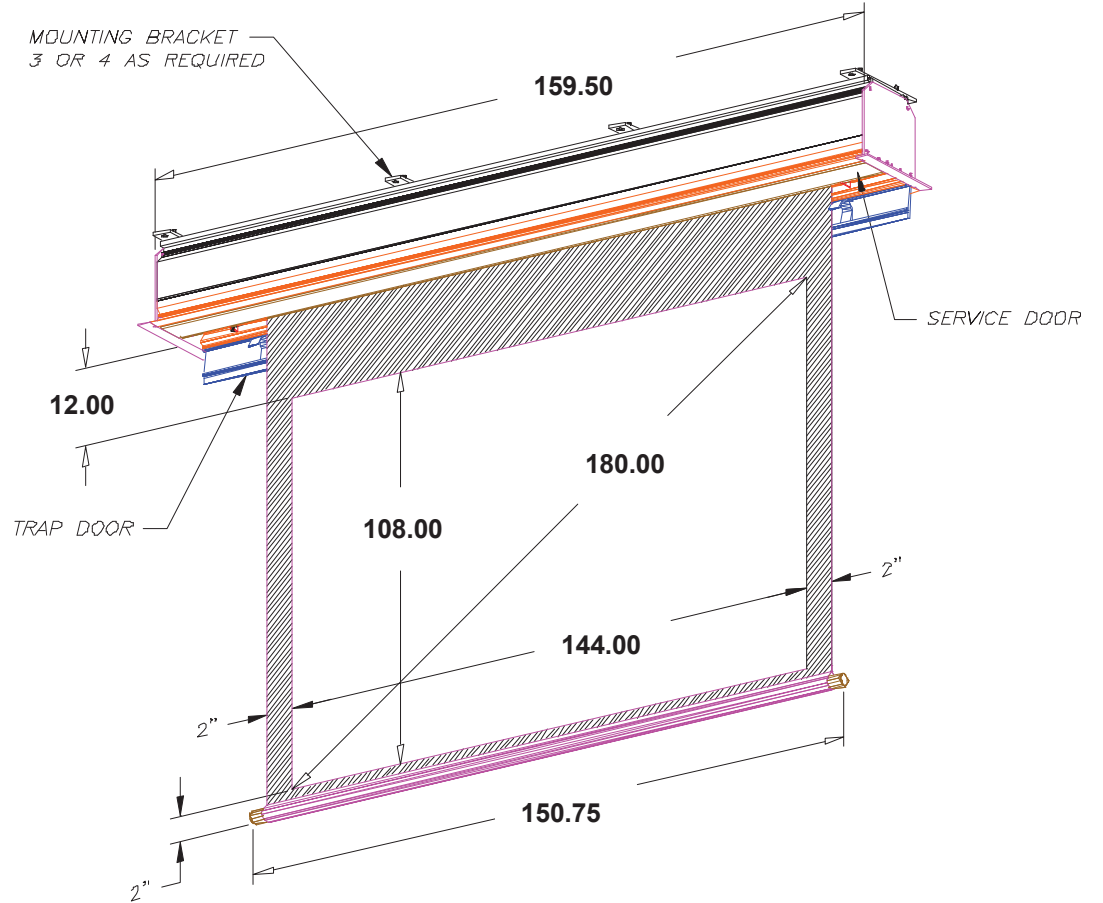
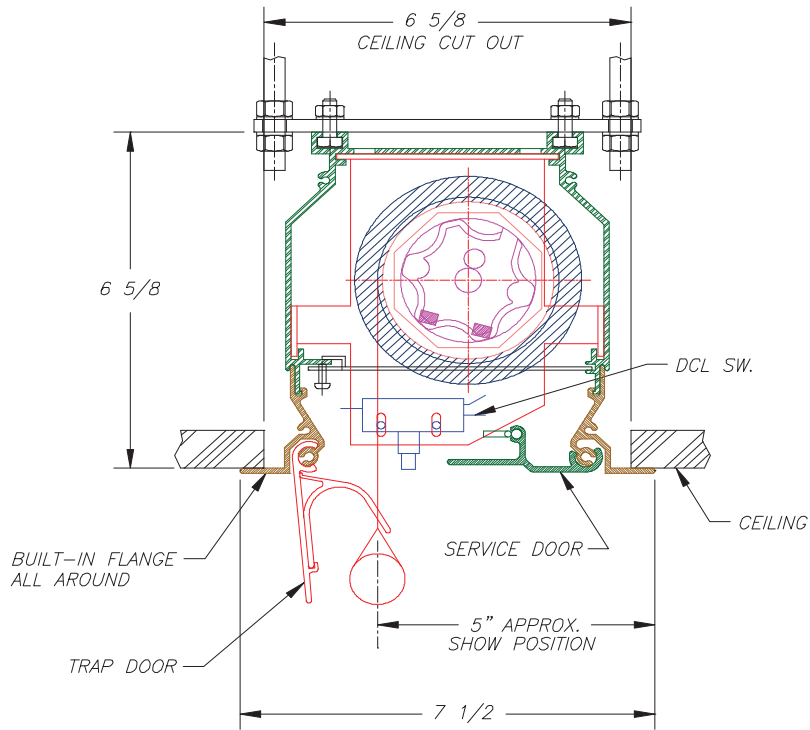


11711 W. Sample Road Coral Springs, FL 33065-3155  
T +1 (800) 770-4700 | F +1 (800) 548-5885 | T 954 545-9000 | Fax 954 545-9001  
vutec.com

vuteccorporation VutecCorp vuteccorp @Vutec

# LECTRIC 2 180"

4:3 | 151 lbs



Date: \_\_\_\_\_ Dealer: \_\_\_\_\_ Client or Project No: \_\_\_\_\_ Phone: \_\_\_\_\_ PO#: \_\_\_\_\_

Note: Approx ceiling cut out for housing length = 160"  
This quotation is valid for 30 days from the date shown.

Fabric Surface: \_\_\_\_\_ Frame Finish: \_\_\_\_\_



11711 W. Sample Road Coral Springs, FL 33065-3155  
T +1 (800) 770-4700 | F +1 (800) 548-5885 | T 954 545-9000 | Fax 954 545-9001  
vutec.com

vuteccorporation VutecCorp vuteccorp @Vutec