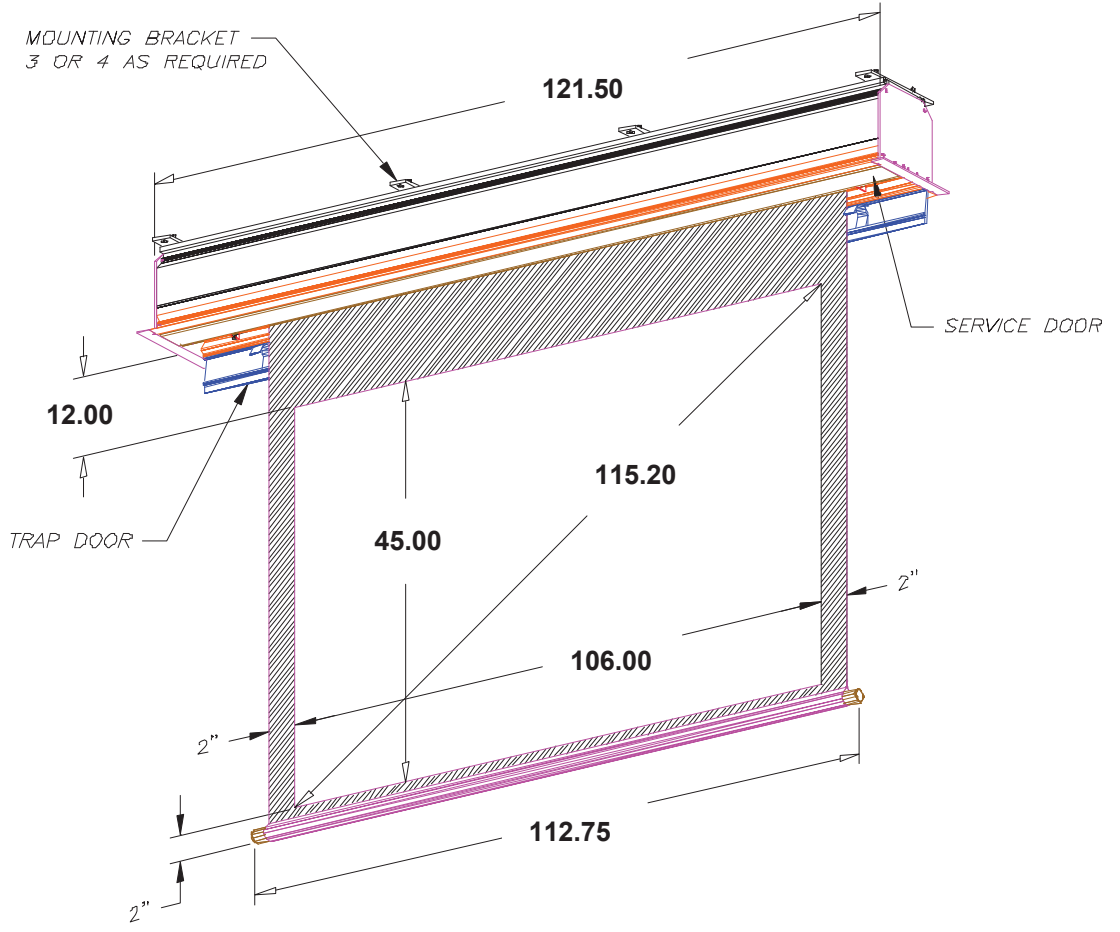
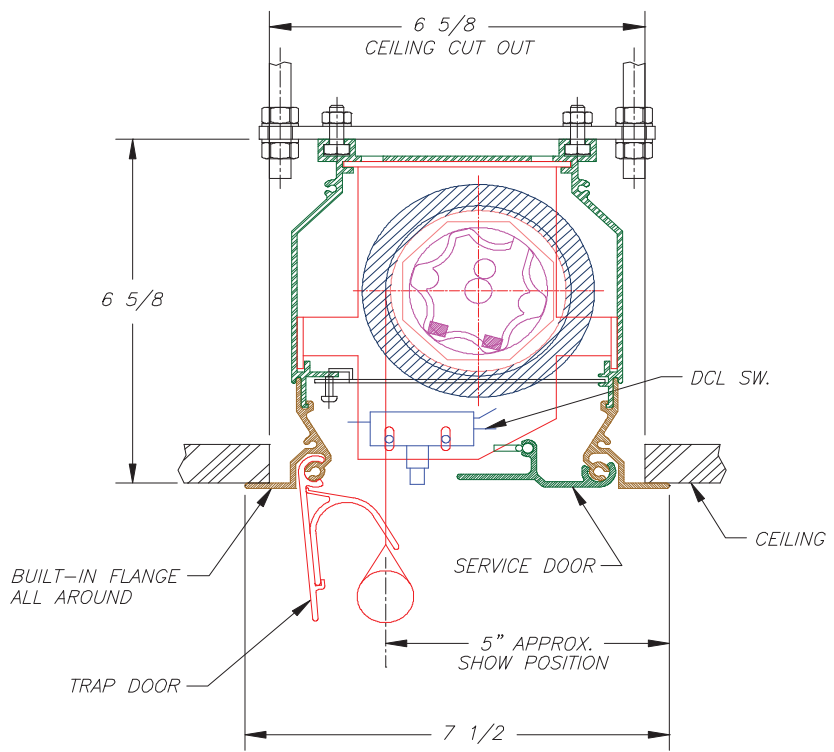


LECTRIC 2 115"

2.35:1 | 109 lbs



Date: _____ Dealer: _____ Client or Project No: _____ Phone: _____ PO#: _____

Note: Approx. ceiling cut out for housing length = 122"
This quotation is valid for 30 days from the date shown.

Fabric Surface: _____ Frame Finish: _____

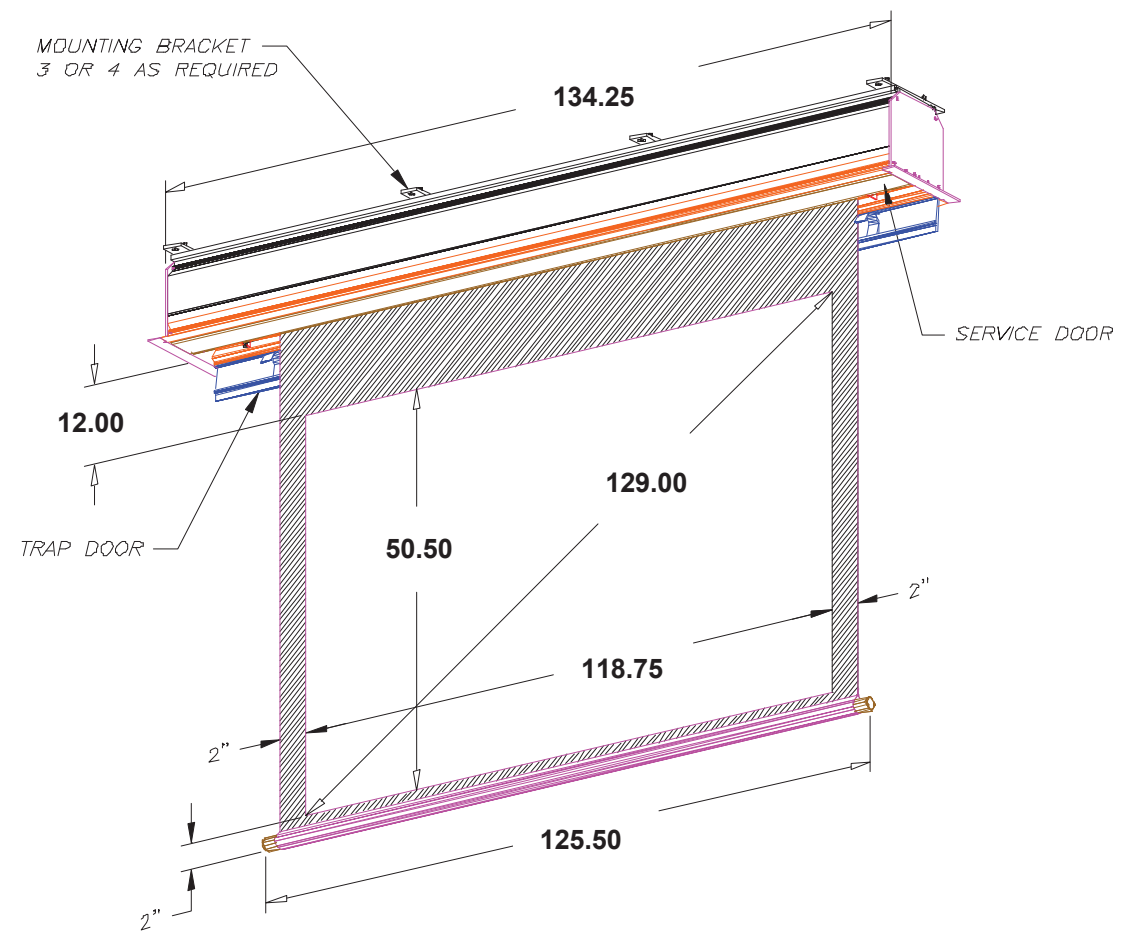
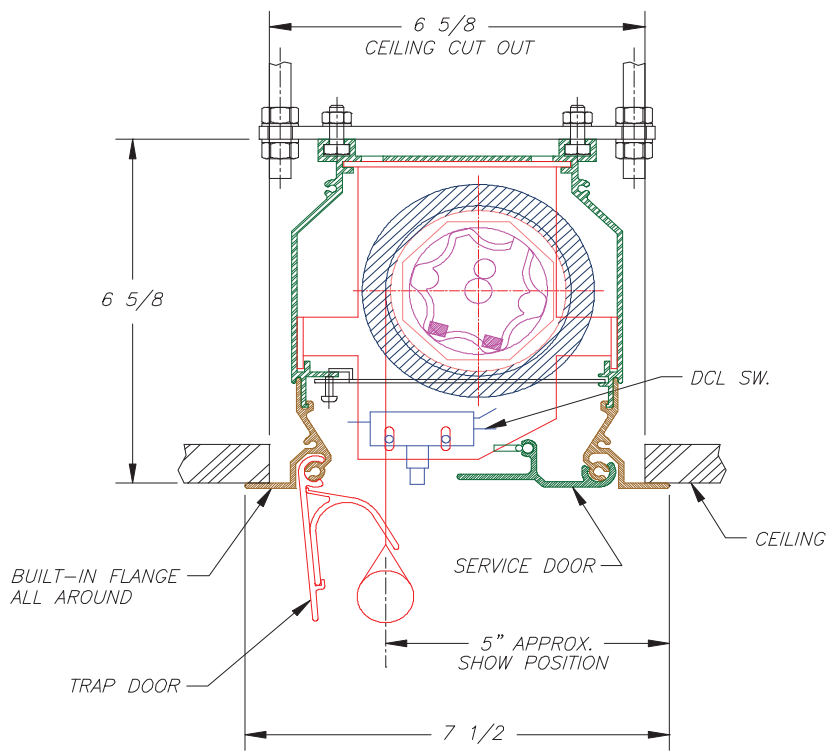


11711 W. Sample Road Coral Springs, FL 33065-3155
T +1 (800) 770-4700 | F +1 (800) 548-5885 | T 954 545-9000 | Fax 954 545-9001
vutec.com



LECTRIC 2 129"

2.35:1 | 119 lbs



Date: _____ Dealer: _____ Client or Project No: _____ Phone: _____ PO#: _____

Note: Approx. ceiling cut out for housing length = 134.75"
This quotation is valid for 30 days from the date shown.

Fabric Surface: _____ Frame Finish: _____

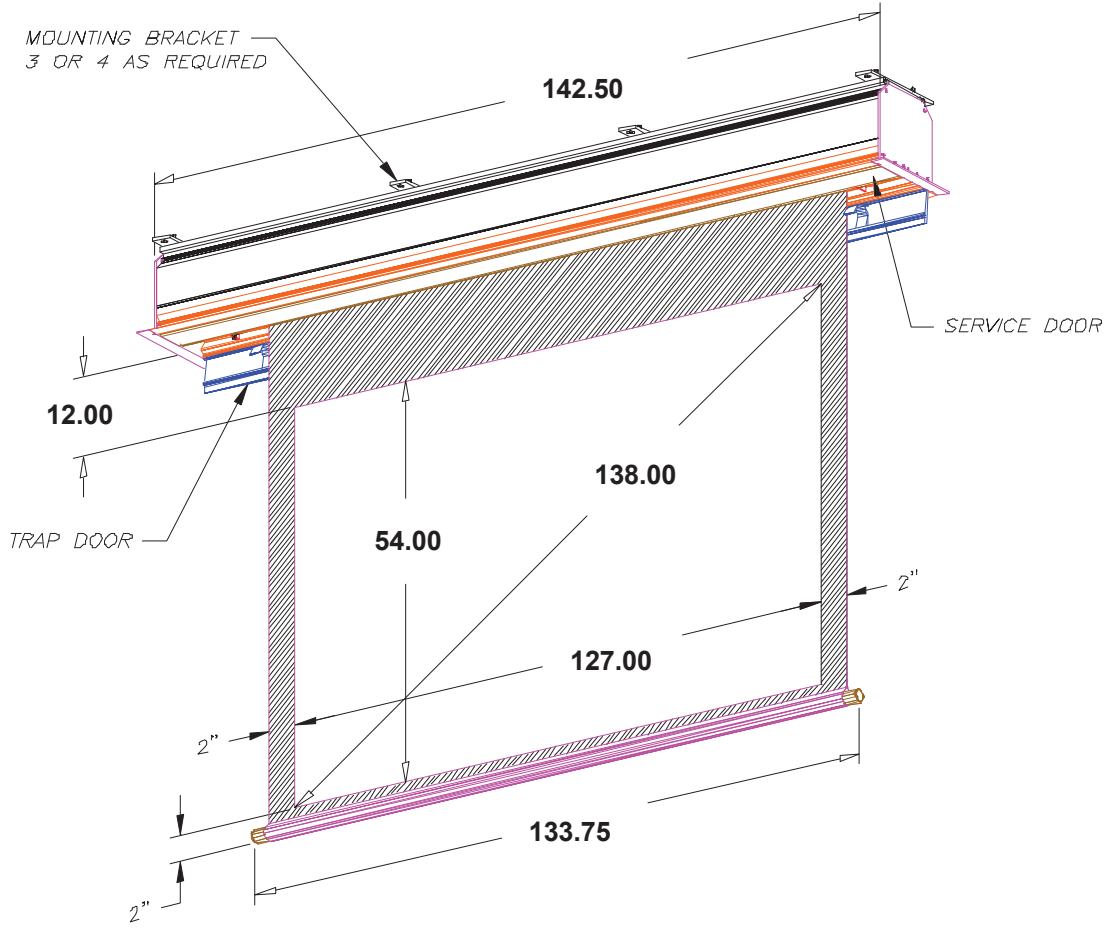
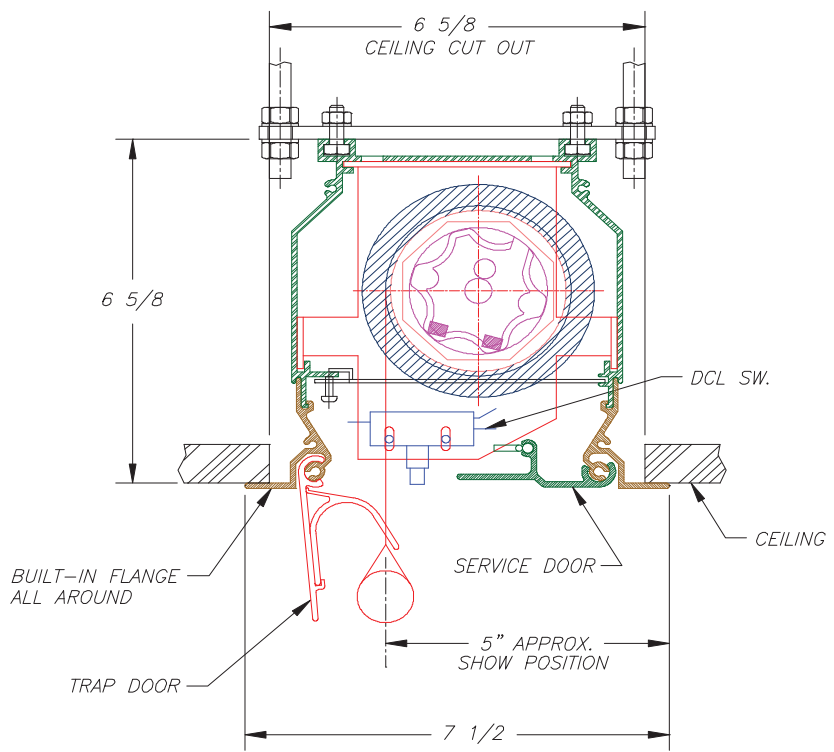


11711 W. Sample Road Coral Springs, FL 33065-3155
T +1 (800) 770-4700 | F +1 (800) 548-5885 | T 954 545-9000 | Fax 954 545-9001
vutec.com



LECTRIC 2 129"

2.35:1 | 126 lbs



Date: _____ Dealer: _____ Client or Project No: _____ Phone: _____ PO#: _____

Note: Approx. ceiling cut out for housing length = 143"
This quotation is valid for 30 days from the date shown.

Fabric Surface: _____ Frame Finish: _____

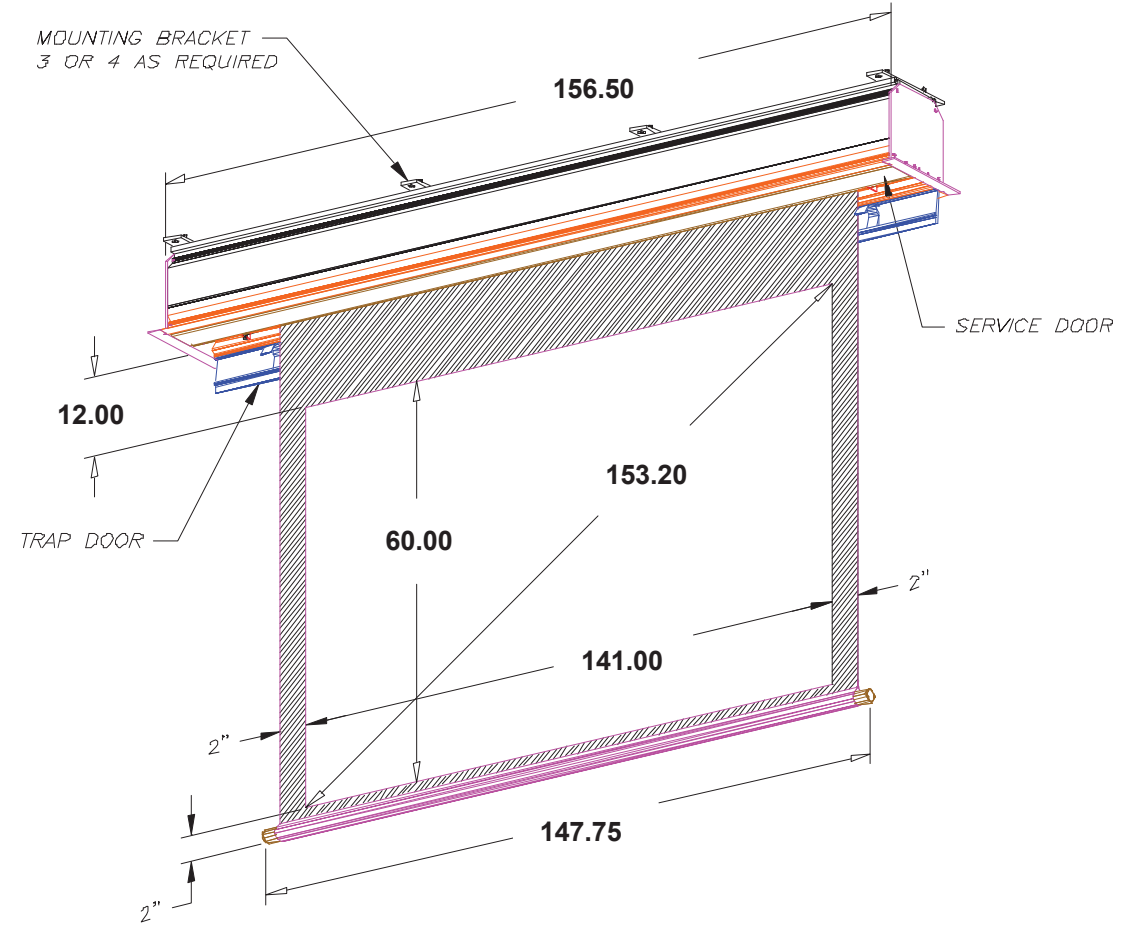
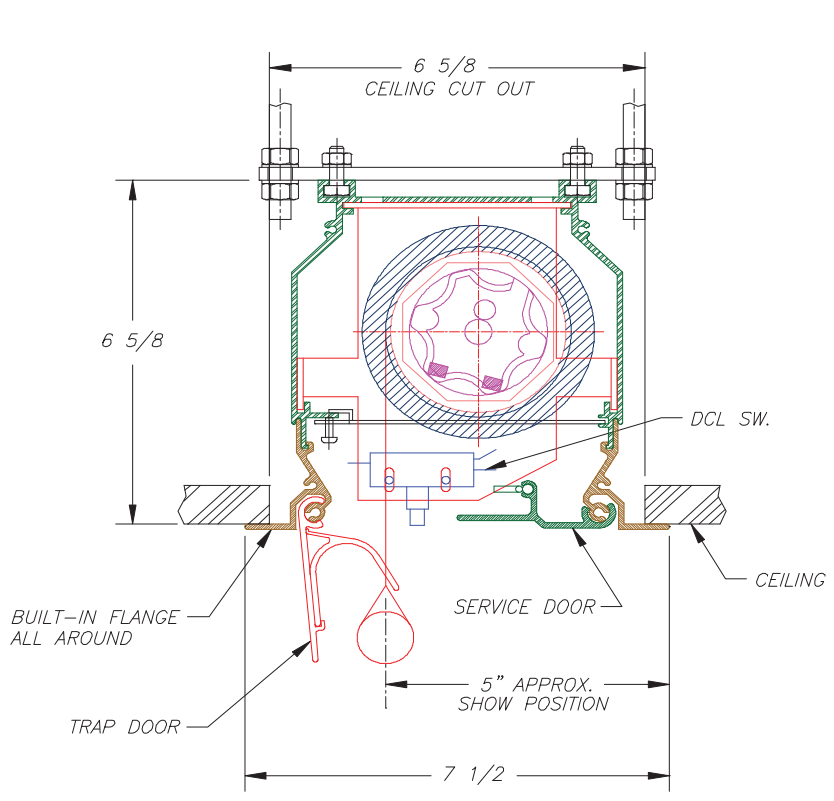


11711 W. Sample Road Coral Springs, FL 33065-3155
T +1 (800) 770-4700 | F +1 (800) 548-5885 | T 954 545-9000 | Fax 954 545-9001
vutec.com



LECTRIC 2 129"

2.35:1 | 137 lbs



Date: _____ Dealer: _____ Client or Project No: _____ Phone: _____ PO#: _____

Note: Approx. ceiling cut out for housing length = 157"
This quotation is valid for 30 days from the date shown.

Fabric Surface: _____ Frame Finish: _____



11711 W. Sample Road Coral Springs, FL 33065-3155
T +1 (800) 770-4700 | F +1 (800) 548-5885 | T 954 545-9000 | Fax 954 545-9001
vutec.com

