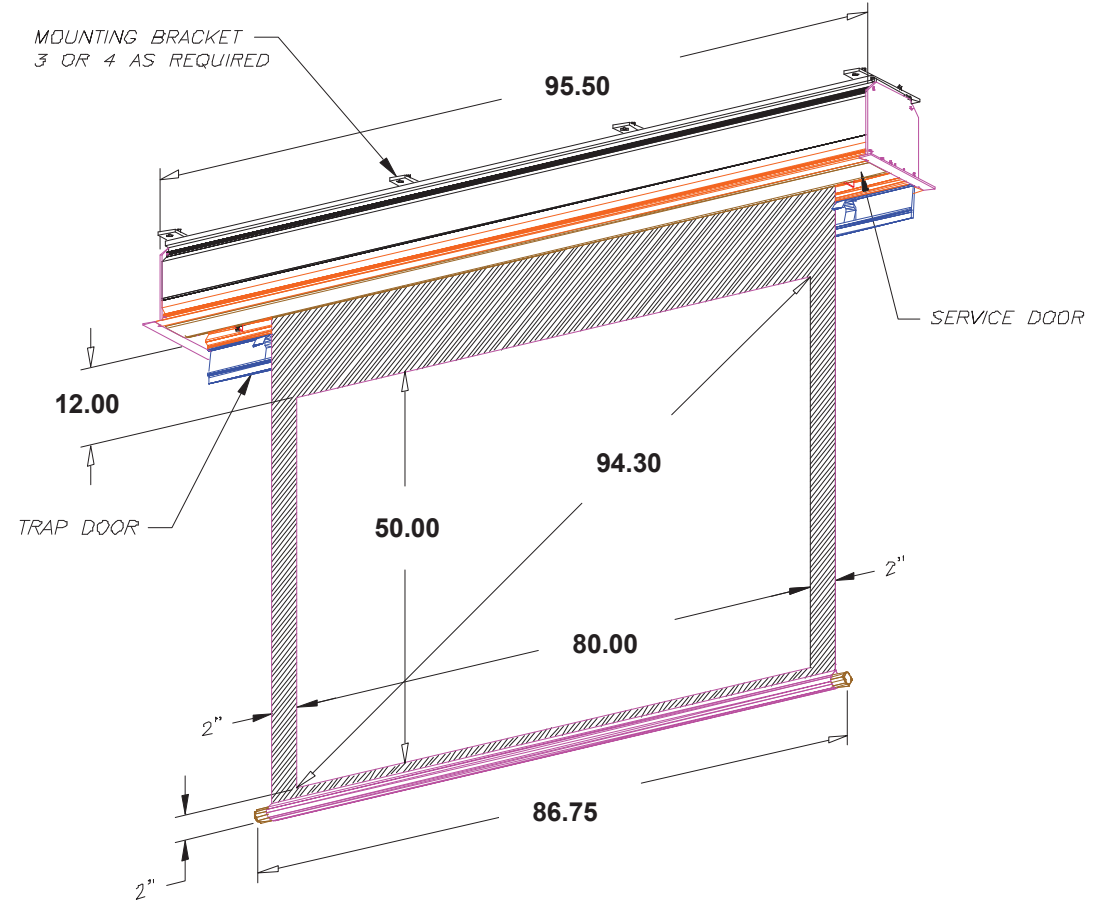
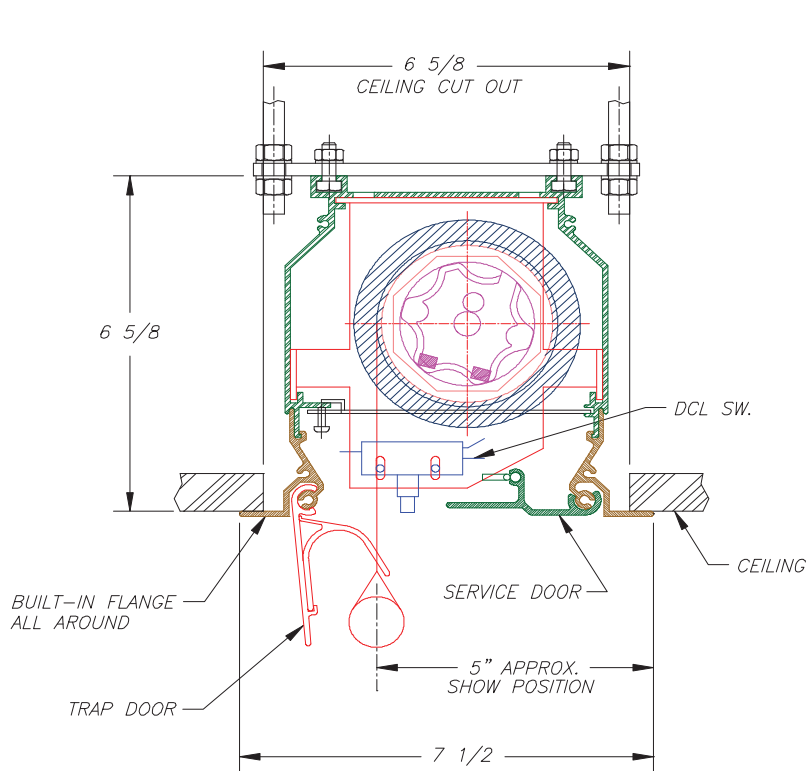


# LECTRIC 2 94"

16:10 | 93 lbs



Date: \_\_\_\_\_ Dealer: \_\_\_\_\_ Client or Project No: \_\_\_\_\_ Phone: \_\_\_\_\_ PO#: \_\_\_\_\_

Note: Approx. ceiling cut out for housing length = 96"  
This quotation is valid for 30 days from the date shown.

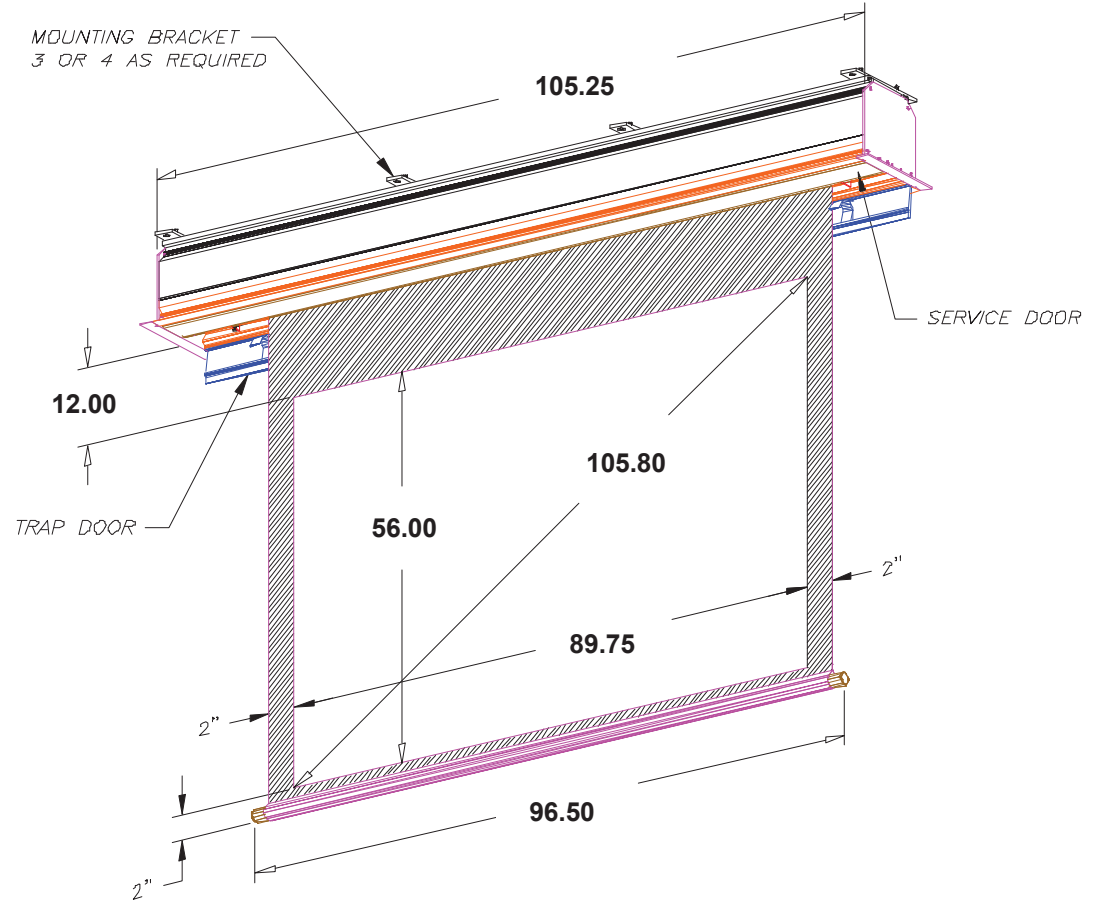
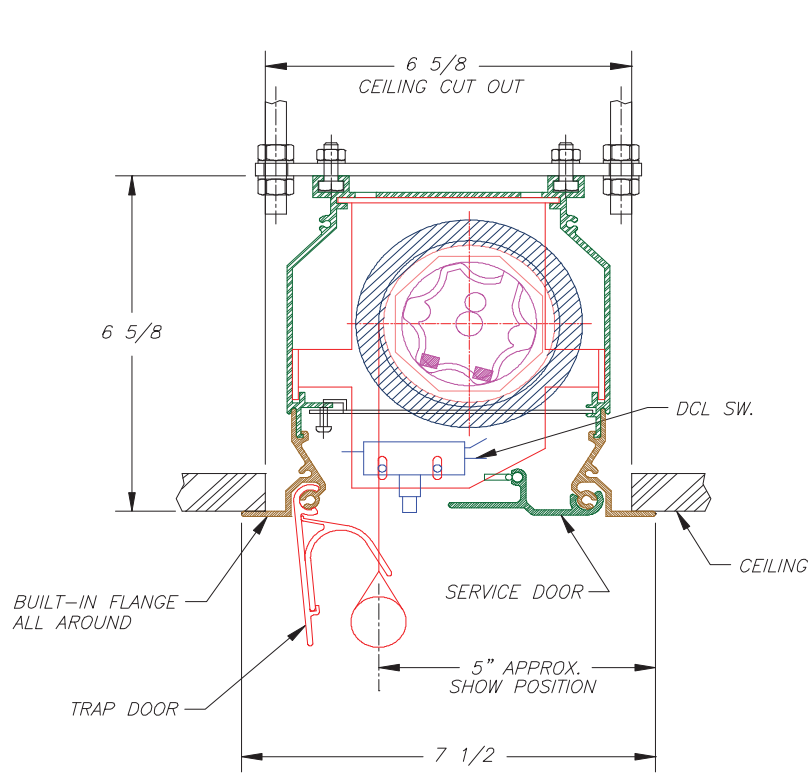
Fabric Surface: \_\_\_\_\_ Frame Finish: \_\_\_\_\_



11711 W. Sample Road Coral Springs, FL 33065-3155  
T +1 (800) 770-4700 | F +1 (800) 548-5885 | T 954 545-9000 | Fax 954 545-9001  
vutec.com

# LECTRIC 2 106"

16:10 | 100 lbs



Date: \_\_\_\_\_ Dealer: \_\_\_\_\_ Client or Project No: \_\_\_\_\_ Phone: \_\_\_\_\_ PO#: \_\_\_\_\_

Note: Approx. ceiling cut out for housing length = 105.75"  
 This quotation is valid for 30 days from the date shown.

Fabric Surface: \_\_\_\_\_ Frame Finish: \_\_\_\_\_

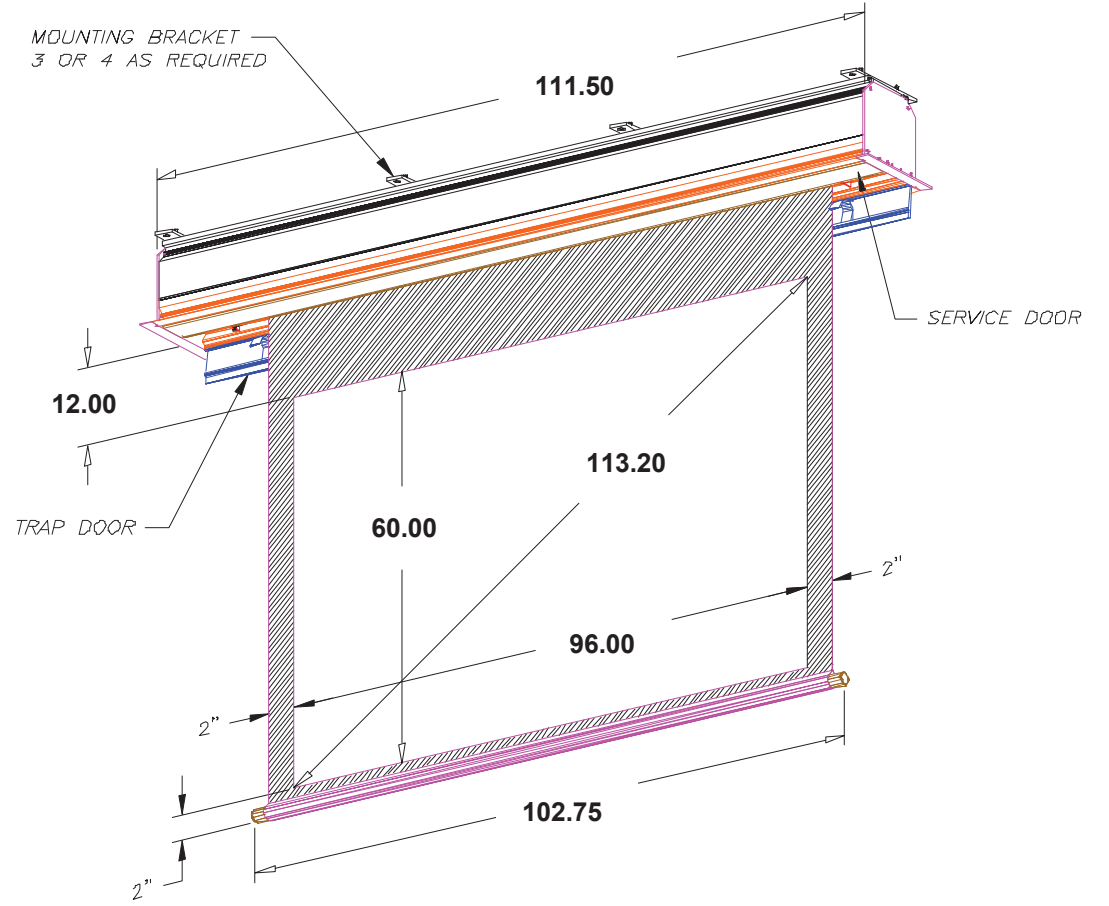
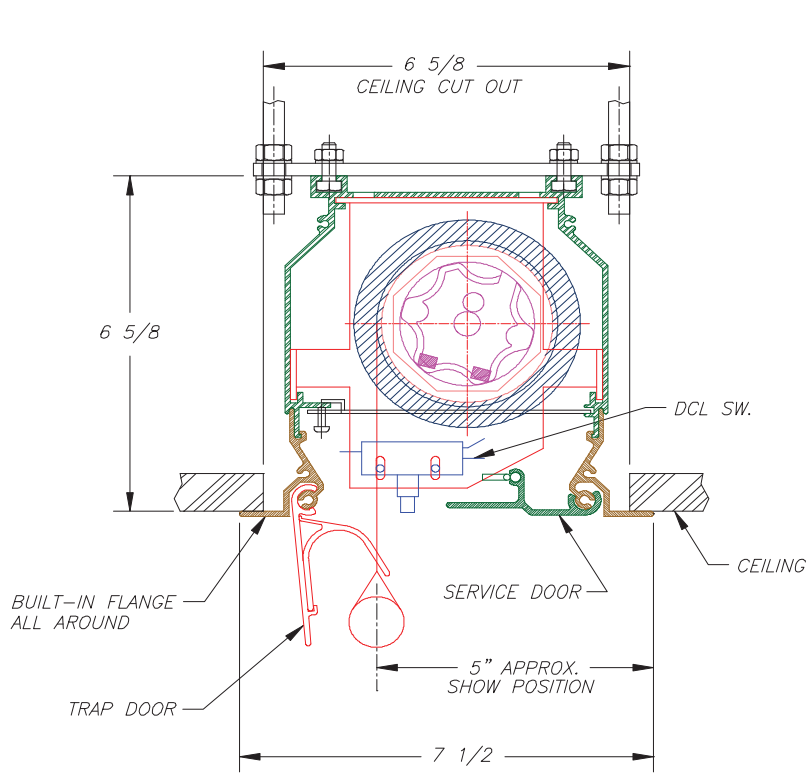


11711 W. Sample Road Coral Springs, FL 33065-3155  
 T +1 (800) 770-4700 | F +1 (800) 548-5885 | T 954 545-9000 | Fax 954 545-9001  
[vutec.com](http://vutec.com)



# LECTRIC 2 113"

16:10 | 105 lbs



Date: \_\_\_\_\_ Dealer: \_\_\_\_\_ Client or Project No: \_\_\_\_\_ Phone: \_\_\_\_\_ PO#: \_\_\_\_\_

Note: Approx. ceiling cut out for housing length = 112"  
This quotation is valid for 30 days from the date shown.

Fabric Surface: \_\_\_\_\_ Frame Finish: \_\_\_\_\_

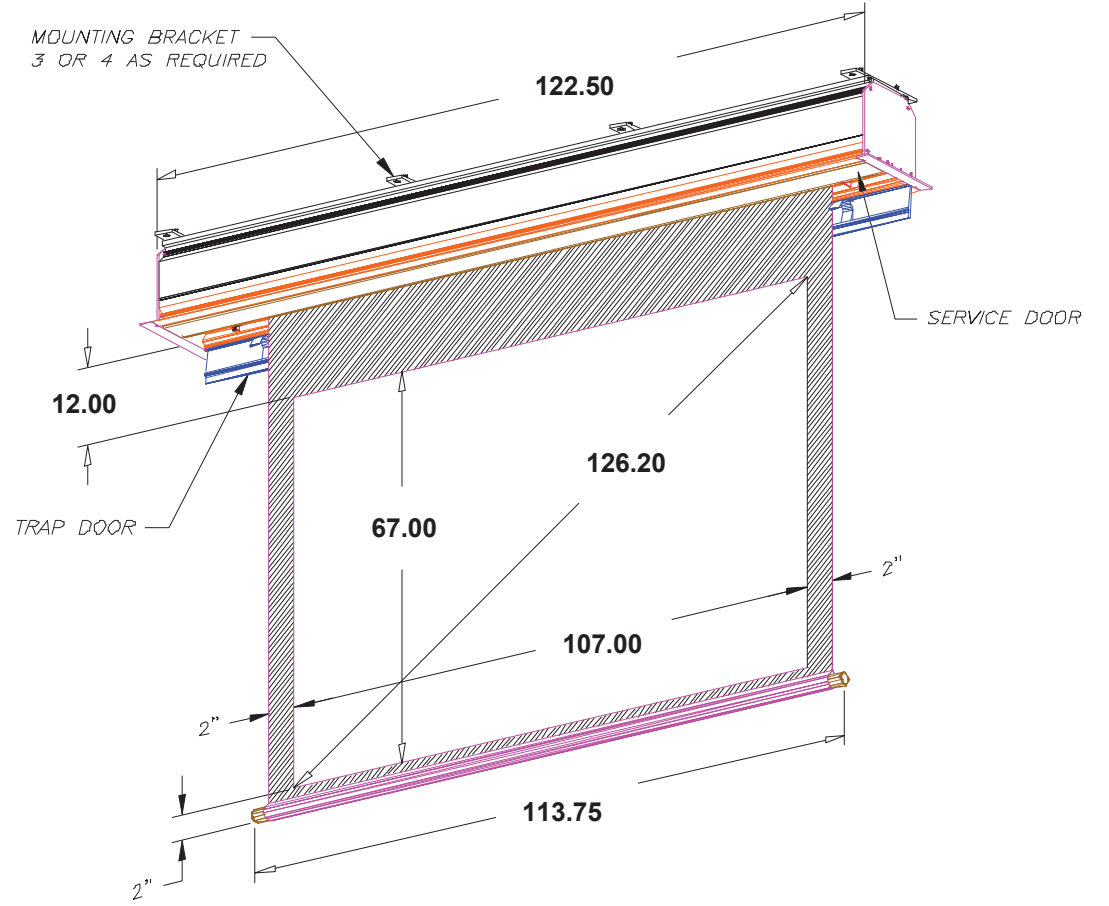
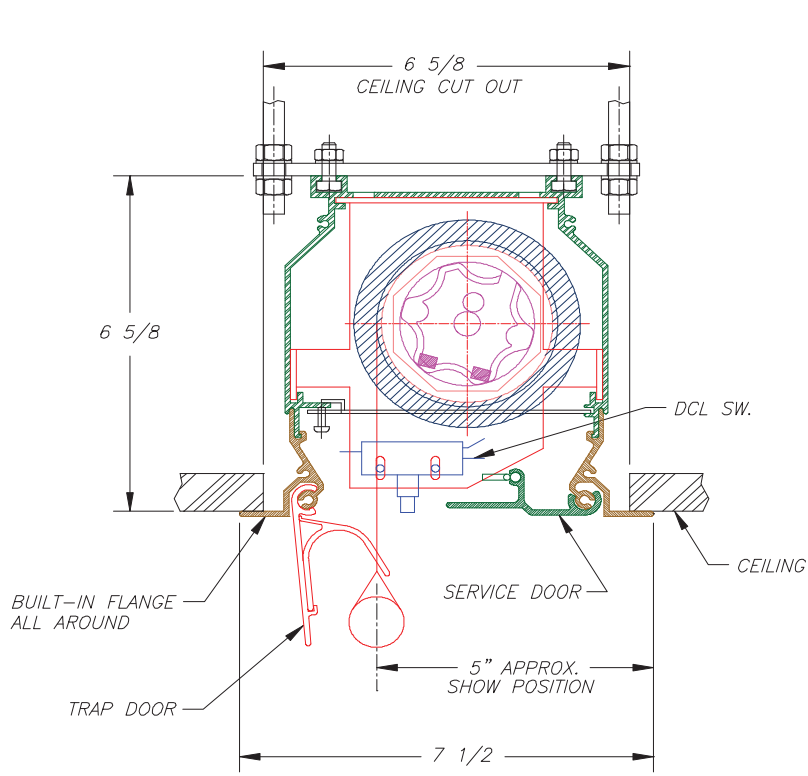


11711 W. Sample Road Coral Springs, FL 33065-3155  
T +1 (800) 770-4700 | F +1 (800) 548-5885 | T 954 545-9000 | Fax 954 545-9001  
vutec.com



# LECTRIC 2 126"

16:10 | 114 lbs



Date: \_\_\_\_\_ Dealer: \_\_\_\_\_ Client or Project No: \_\_\_\_\_ Phone: \_\_\_\_\_ PO#: \_\_\_\_\_

Note: Approx. ceiling cut out for housing length = 123"  
 This quotation is valid for 30 days from the date shown.

Fabric Surface: \_\_\_\_\_ Frame Finish: \_\_\_\_\_

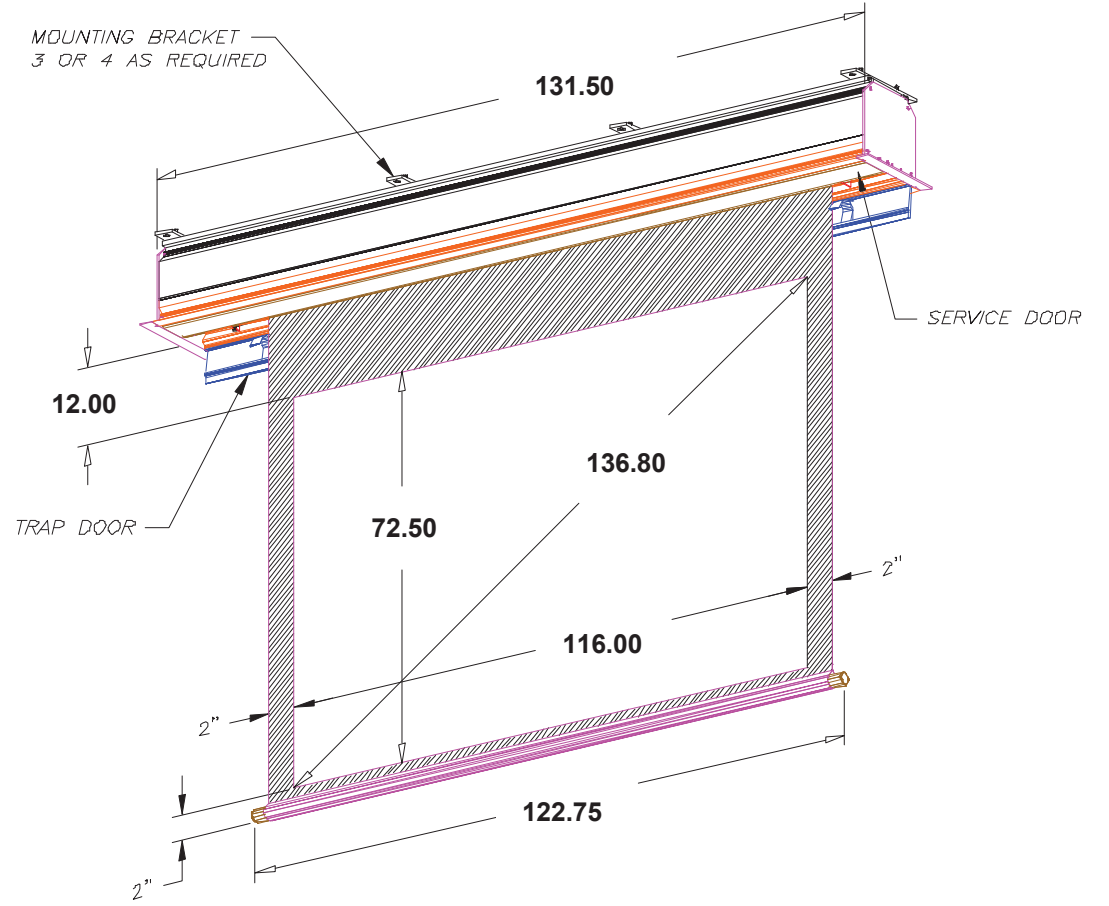
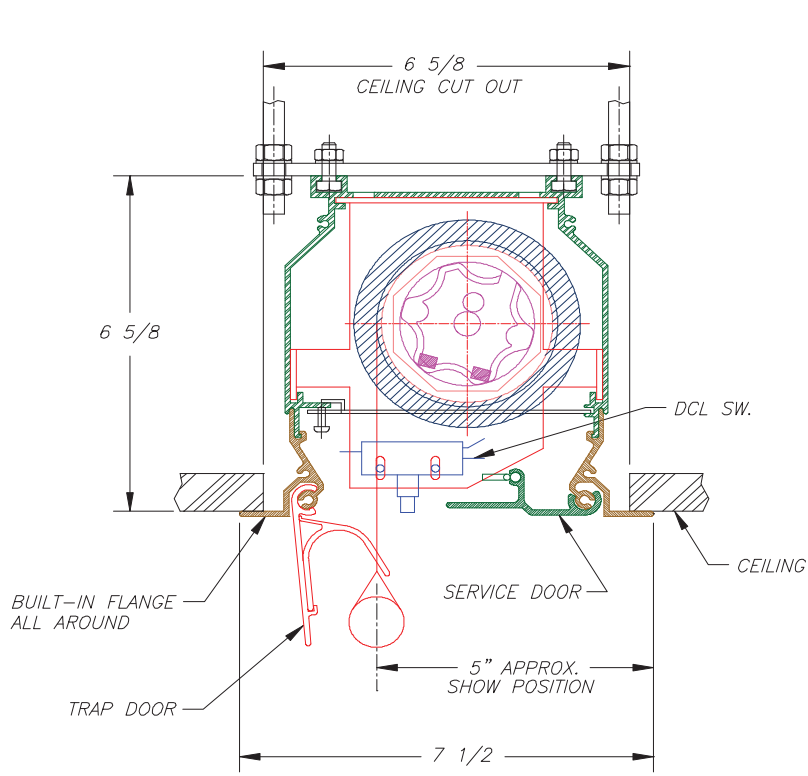


11711 W. Sample Road Coral Springs, FL 33065-3155  
 T +1 (800) 770-4700 | F +1 (800) 548-5885 | T 954 545-9000 | Fax 954 545-9001  
[vutec.com](http://vutec.com)



# LECTRIC 2 137"

16:10 | 122 lbs



Date: \_\_\_\_\_ Dealer: \_\_\_\_\_ Client or Project No: \_\_\_\_\_ Phone: \_\_\_\_\_ PO#: \_\_\_\_\_

Note: Approx. ceiling cut out for housing length = 132"  
 This quotation is valid for 30 days from the date shown.

Fabric Surface: \_\_\_\_\_ Frame Finish: \_\_\_\_\_

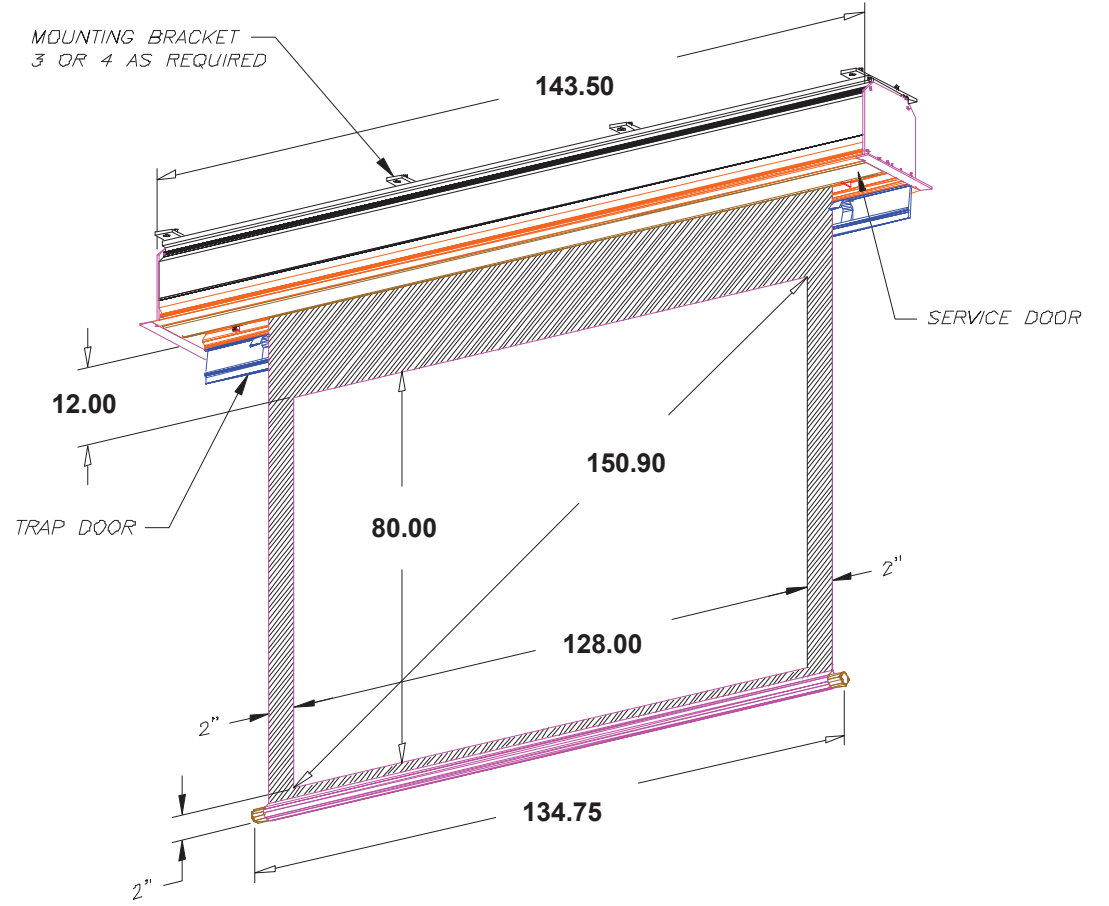
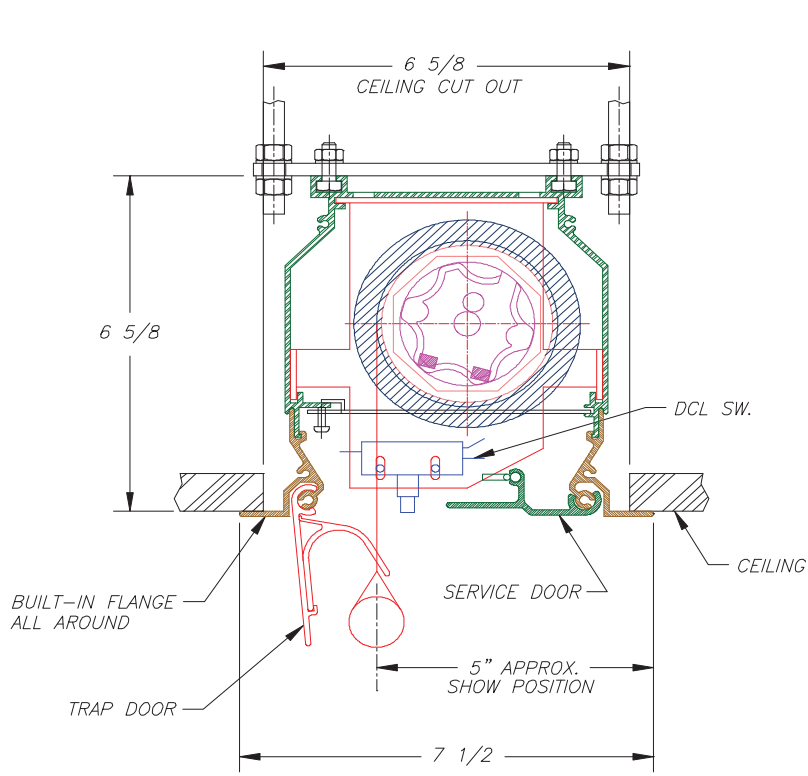


11711 W. Sample Road Coral Springs, FL 33065-3155  
 T +1 (800) 770-4700 | F +1 (800) 548-5885 | T 954 545-9000 | Fax 954 545-9001  
[vutec.com](http://vutec.com)



# LECTRIC 2 151"

16:10 | 132 lbs



Date: \_\_\_\_\_ Dealer: \_\_\_\_\_ Client or Project No: \_\_\_\_\_ Phone: \_\_\_\_\_ PO#: \_\_\_\_\_

Note: Approx. ceiling cut out for housing length = 144"  
 This quotation is valid for 30 days from the date shown.

Fabric Surface: \_\_\_\_\_ Frame Finish: \_\_\_\_\_

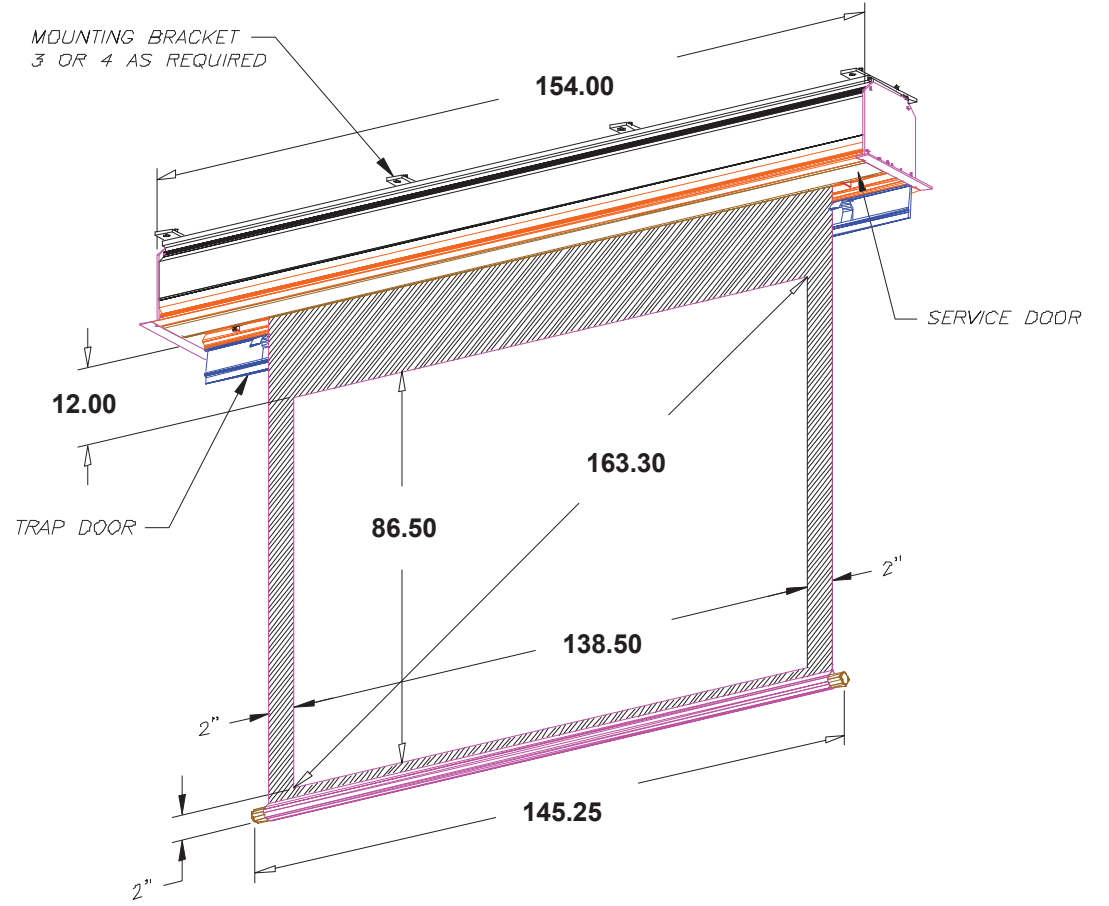
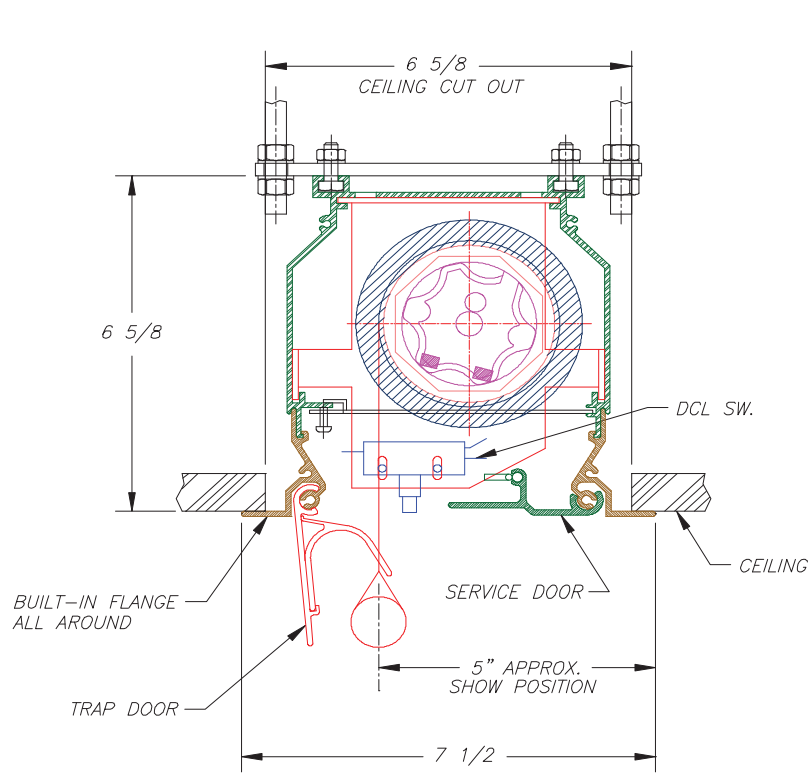


11711 W. Sample Road Coral Springs, FL 33065-3155  
 T +1 (800) 770-4700 | F +1 (800) 548-5885 | T 954 545-9000 | Fax 954 545-9001  
[vutec.com](http://vutec.com)



# LECTRIC 2 163"

16:10 | 141 lbs



Date: \_\_\_\_\_ Dealer: \_\_\_\_\_ Client or Project No: \_\_\_\_\_ Phone: \_\_\_\_\_ PO#: \_\_\_\_\_

Note: Approx. ceiling cut out for housing length = 154.50"  
 This quotation is valid for 30 days from the date shown.

Fabric Surface: \_\_\_\_\_ Frame Finish: \_\_\_\_\_



11711 W. Sample Road Coral Springs, FL 33065-3155  
 T +1 (800) 770-4700 | F +1 (800) 548-5885 | T 954 545-9000 | Fax 954 545-9001  
[vutec.com](http://vutec.com)

