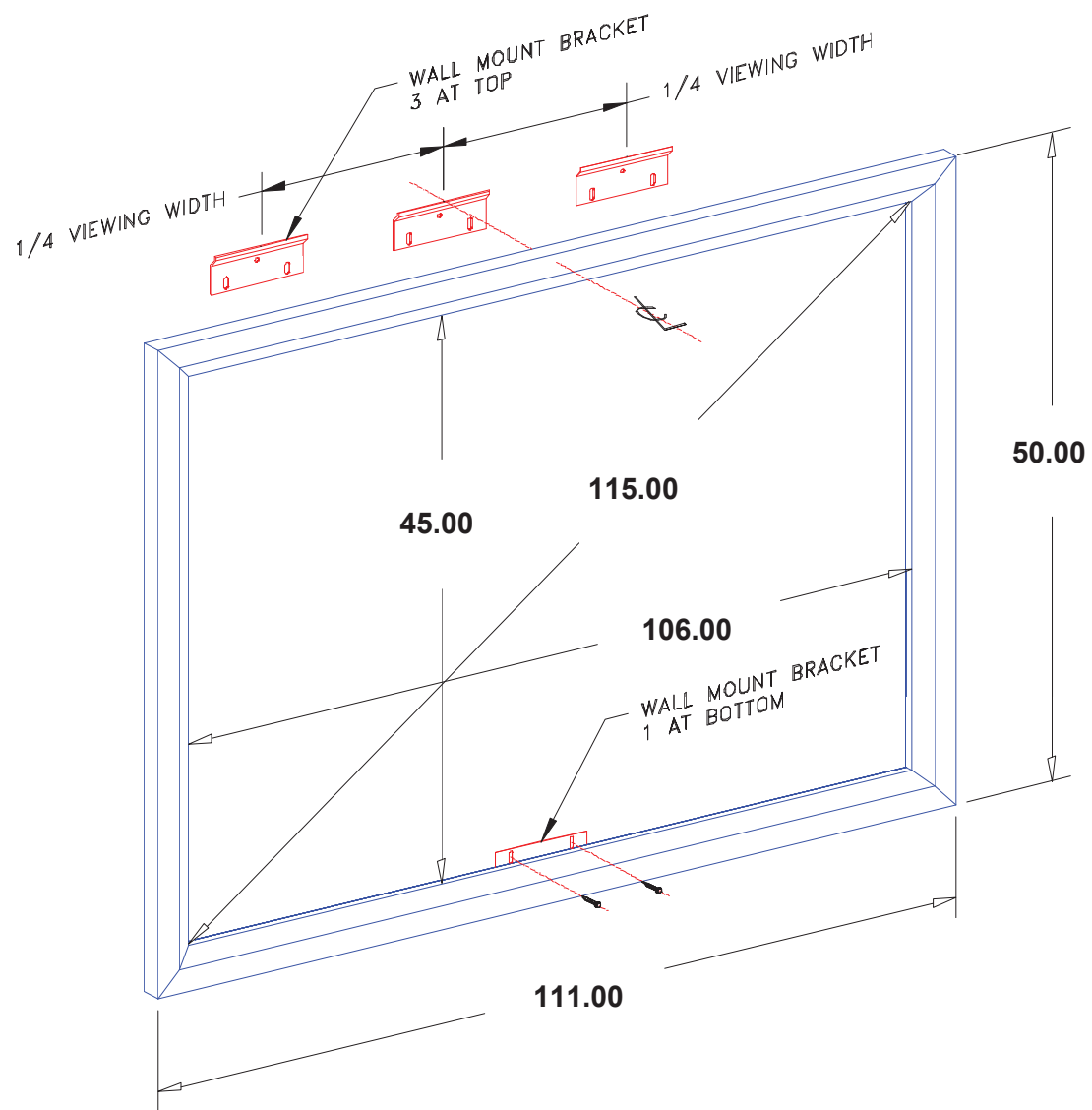
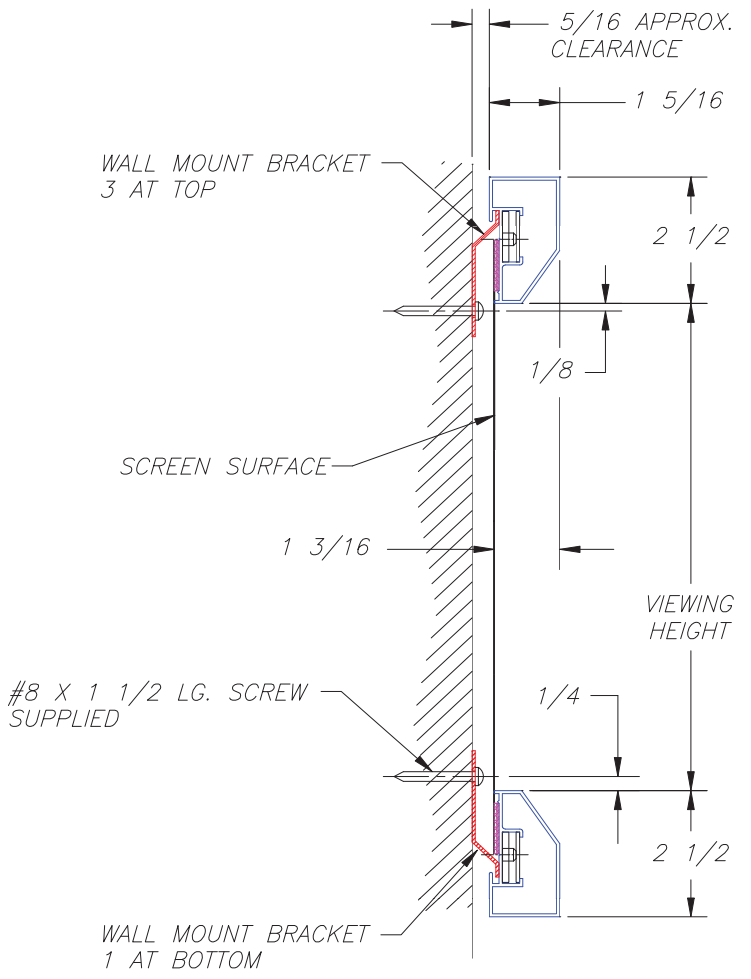


VU-EASY 115"

2.35:1

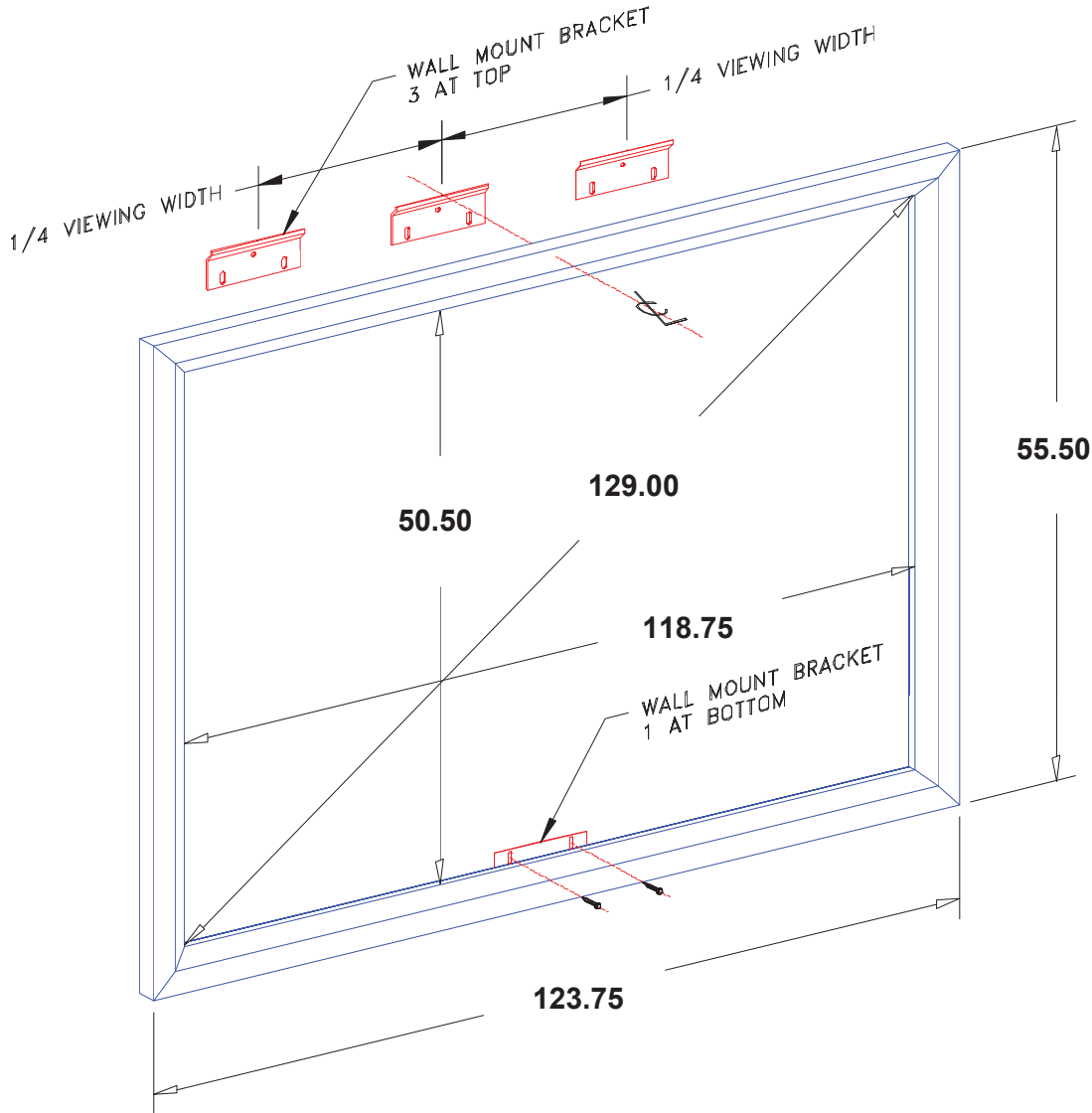
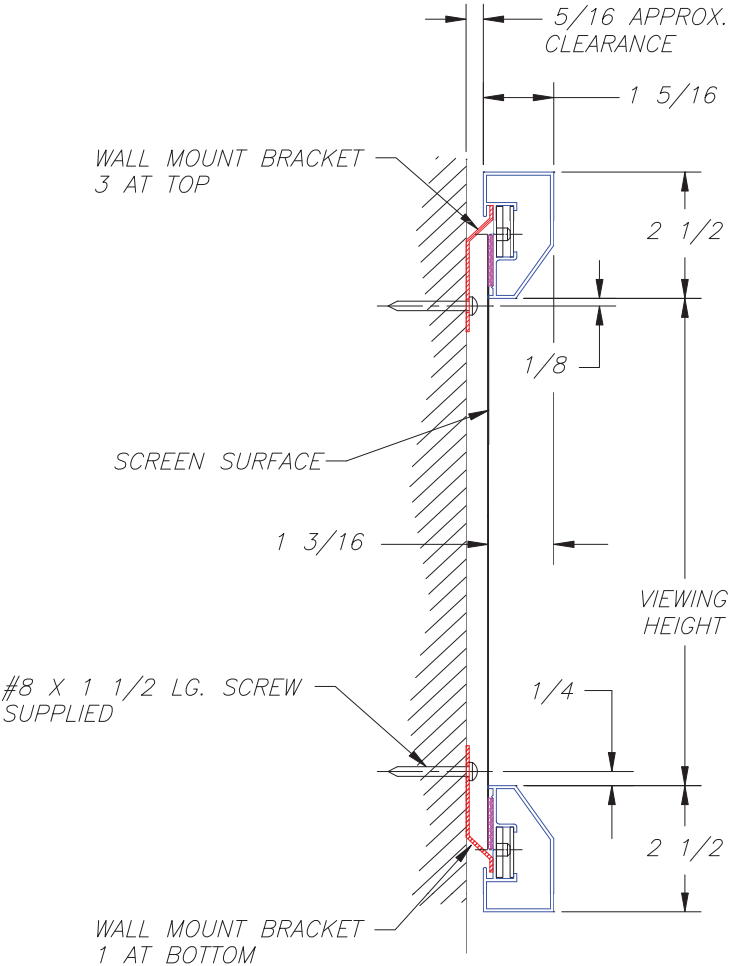


Date: _____ Dealer: _____ Client or Project No: _____ Phone: _____ PO#: _____

This quotation is valid for 30 days from the date shown. Fabric Surface: _____ Frame Finish: _____

VU-EASY 129"

2.35:1



Date: _____ Dealer: _____ Client or Project No: _____ Phone: _____ PO#: _____

This quotation is valid for 30 days from the date shown. Fabric Surface: _____ Frame Finish: _____

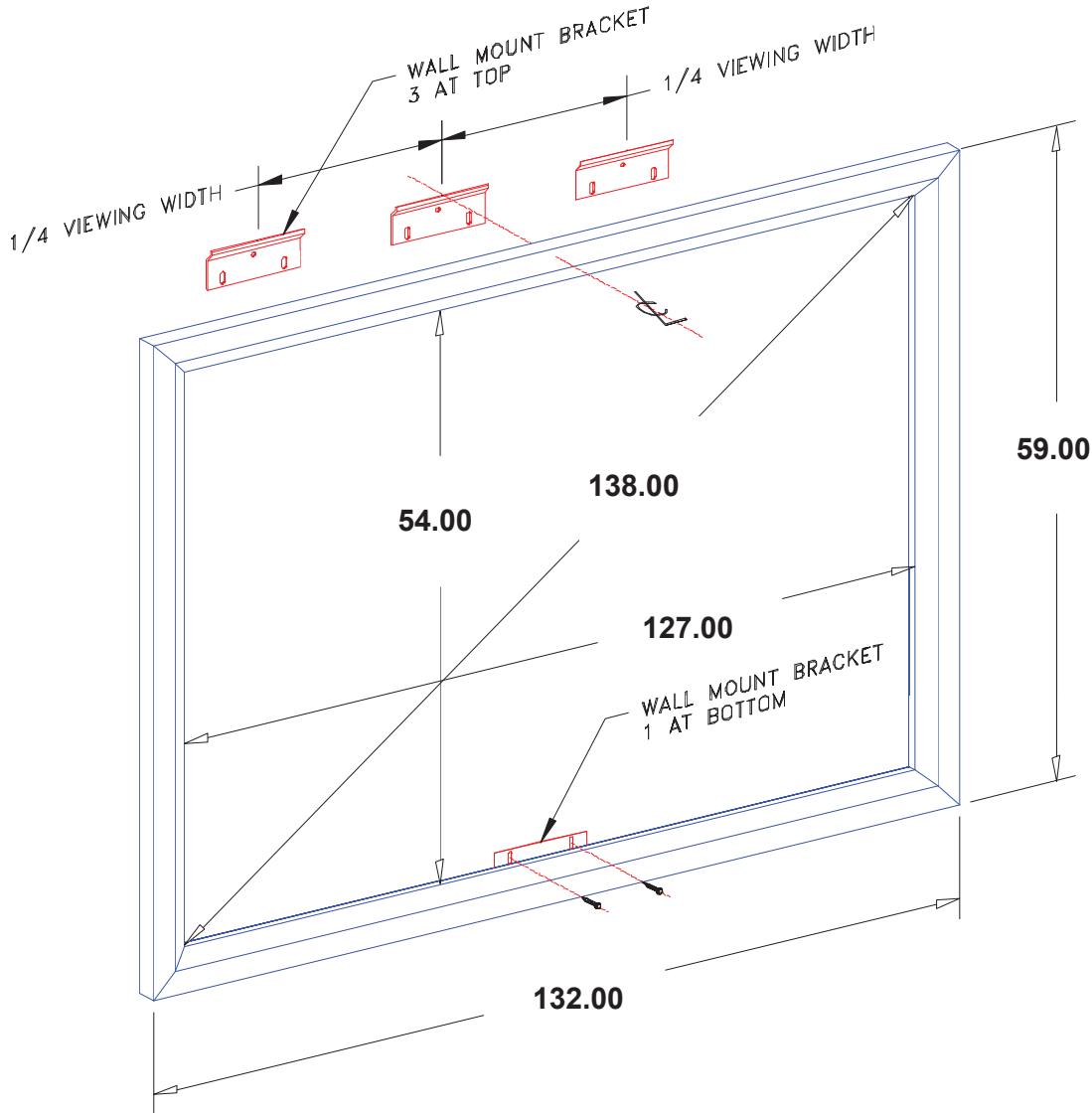
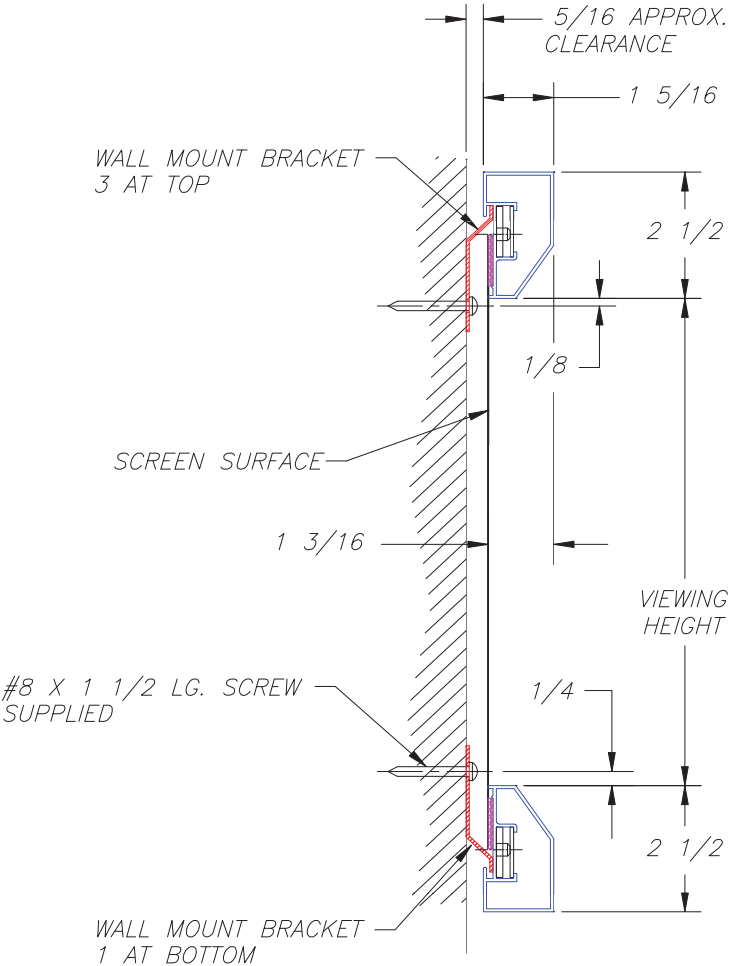


11711 W. Sample Road Coral Springs, FL 33065-3155
 T +1 (800) 770-4700 | F +1 (800) 548-5885 | T 954 545-9000 | Fax 954 545-9001
 vutec.com



VU-EASY 138"

2.35:1



Date: _____ Dealer: _____ Client or Project No: _____ Phone: _____ PO#: _____

This quotation is valid for 30 days from the date shown. Fabric Surface: _____ Frame Finish: _____

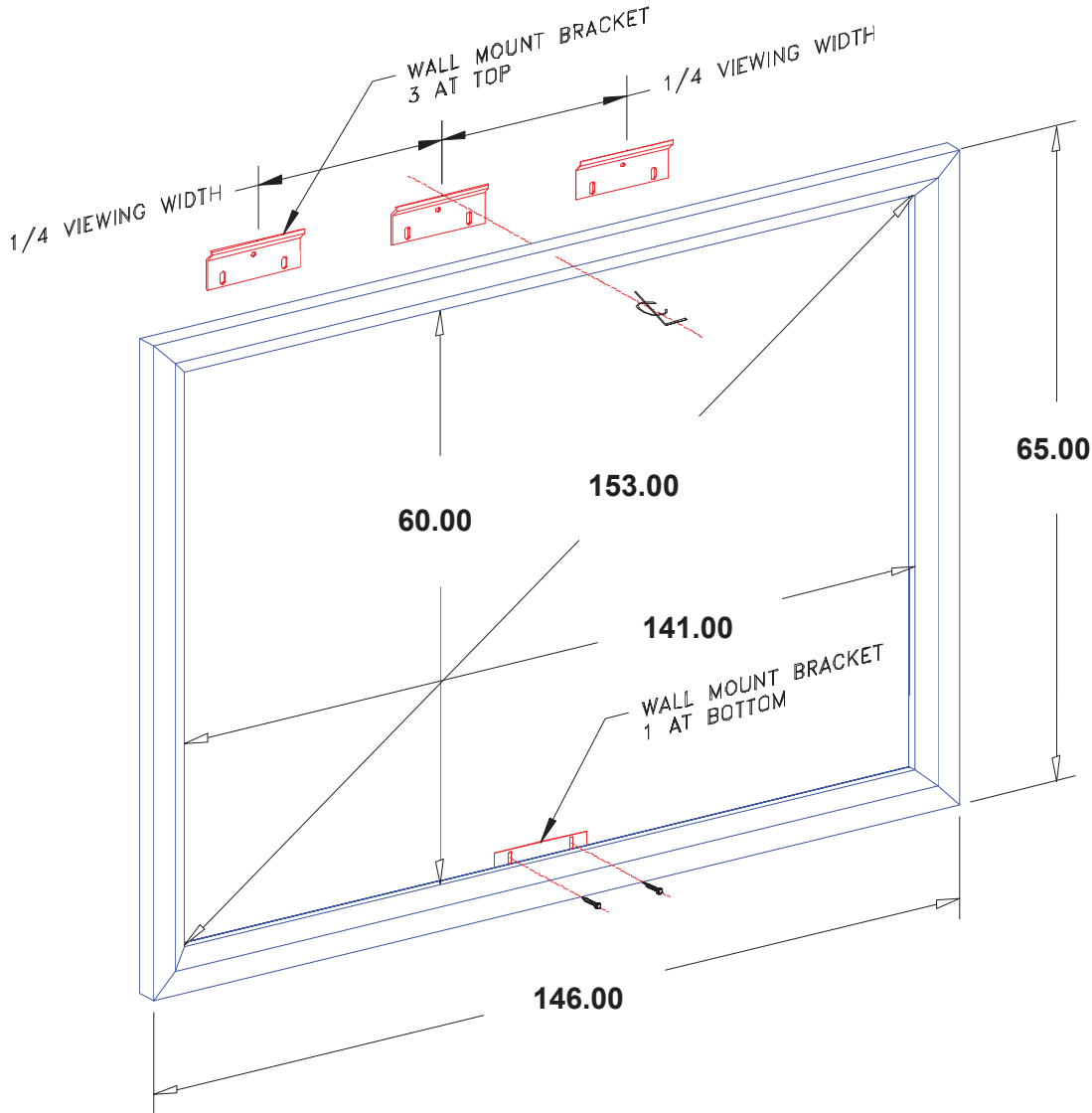
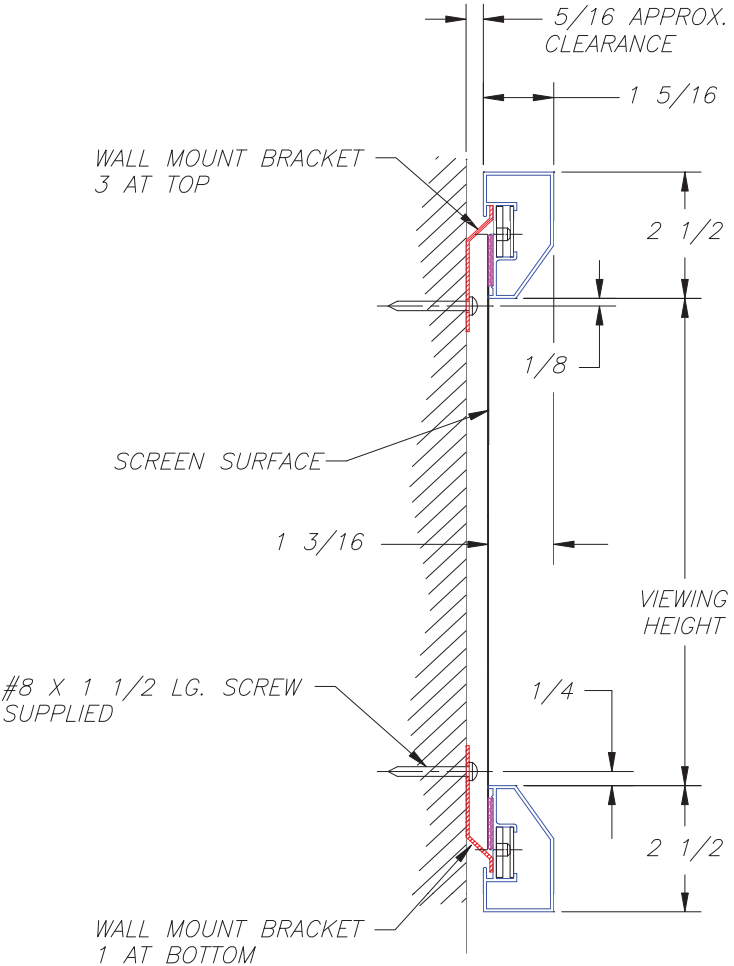


11711 W. Sample Road Coral Springs, FL 33065-3155
 T +1 (800) 770-4700 | F +1 (800) 548-5885 | T 954 545-9000 | Fax 954 545-9001
vutec.com

vuteccorporation
 VutecCorp
 vuteccorp
 @Vutec

VU-EASY 153"

2.35:1



Date: _____ Dealer: _____ Client or Project No: _____ Phone: _____ PO#: _____

This quotation is valid for 30 days from the date shown. Fabric Surface: _____ Frame Finish: _____

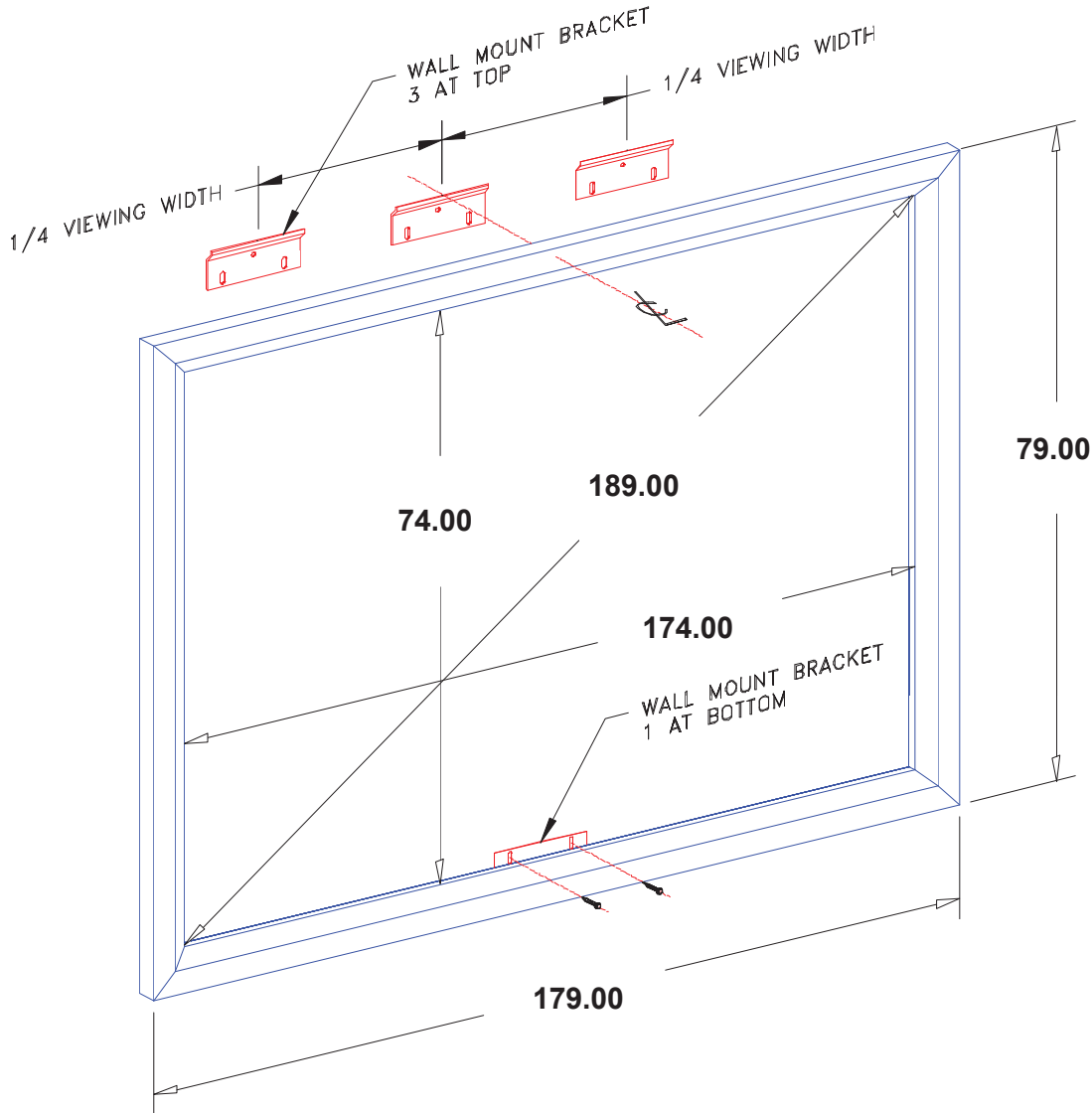
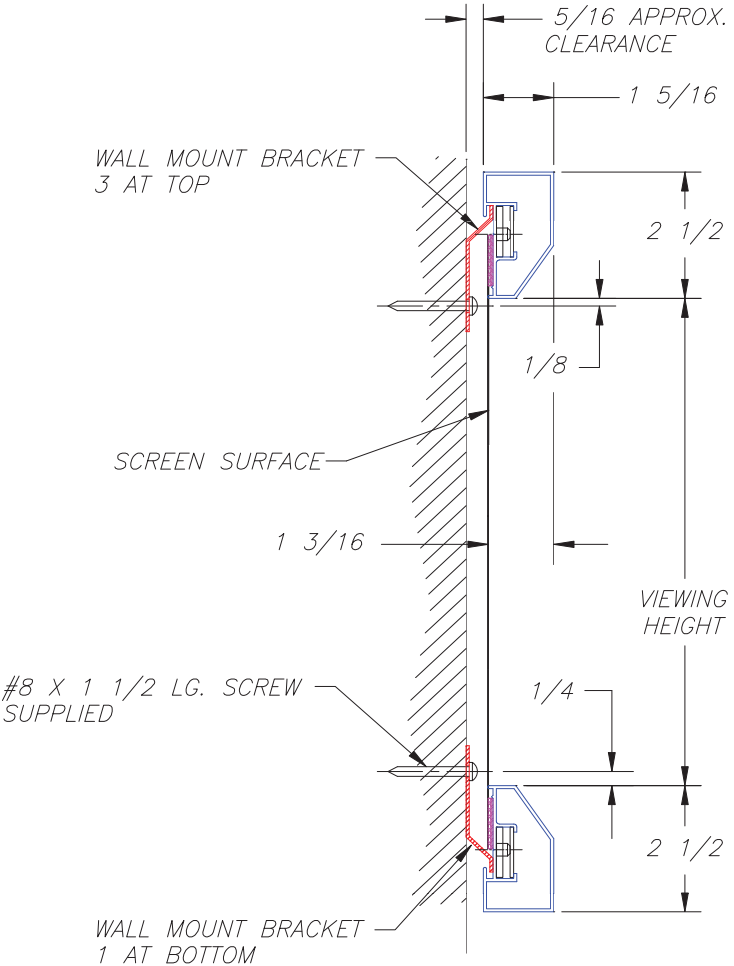


11711 W. Sample Road Coral Springs, FL 33065-3155
 T +1 (800) 770-4700 | F +1 (800) 548-5885 | T 954 545-9000 | Fax 954 545-9001
 vutec.com



VU-EASY 189"

2.35:1



Date: _____ Dealer: _____ Client or Project No: _____ Phone: _____ PO#: _____

This quotation is valid for 30 days from the date shown. Fabric Surface: _____ Frame Finish: _____

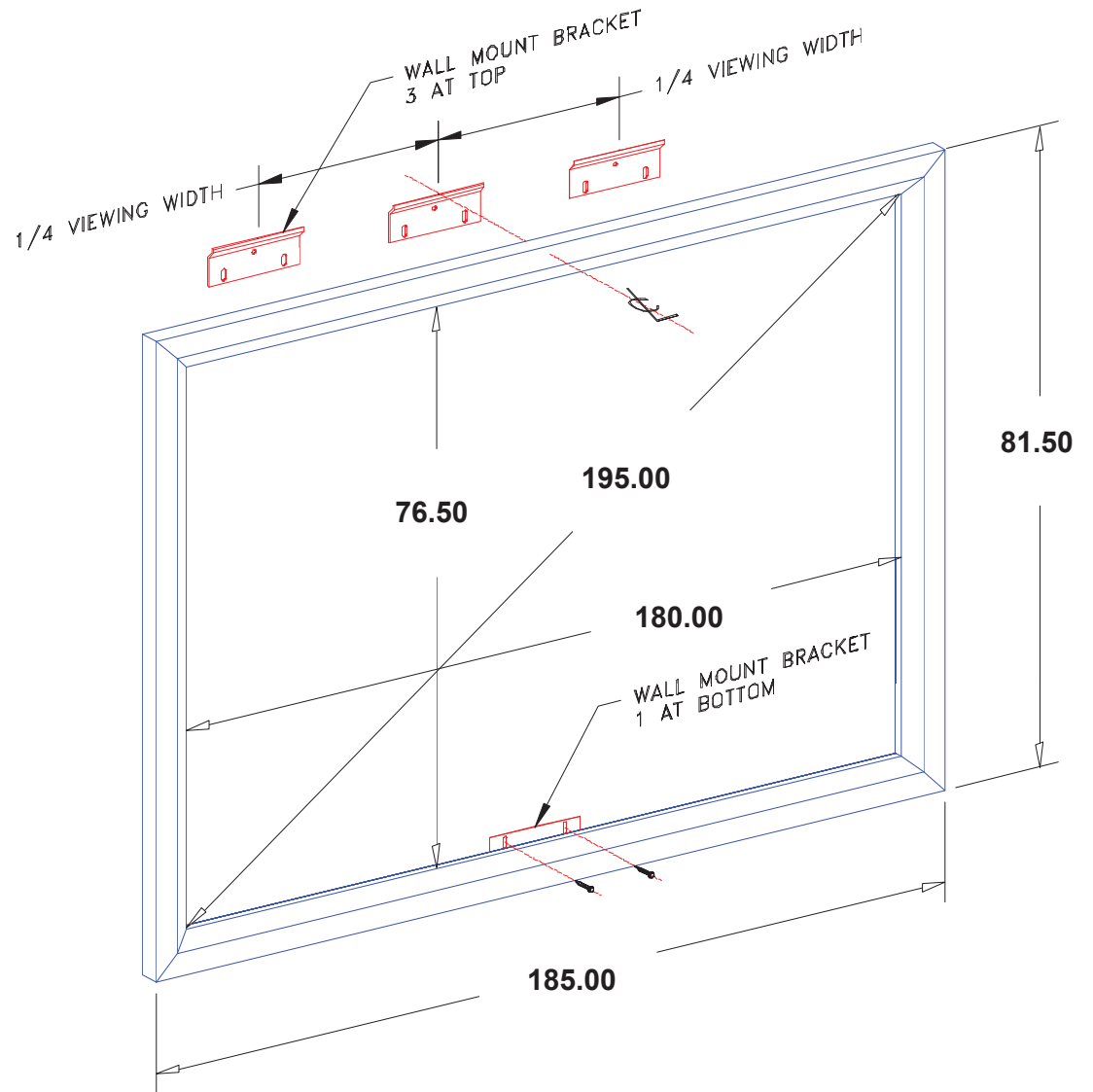
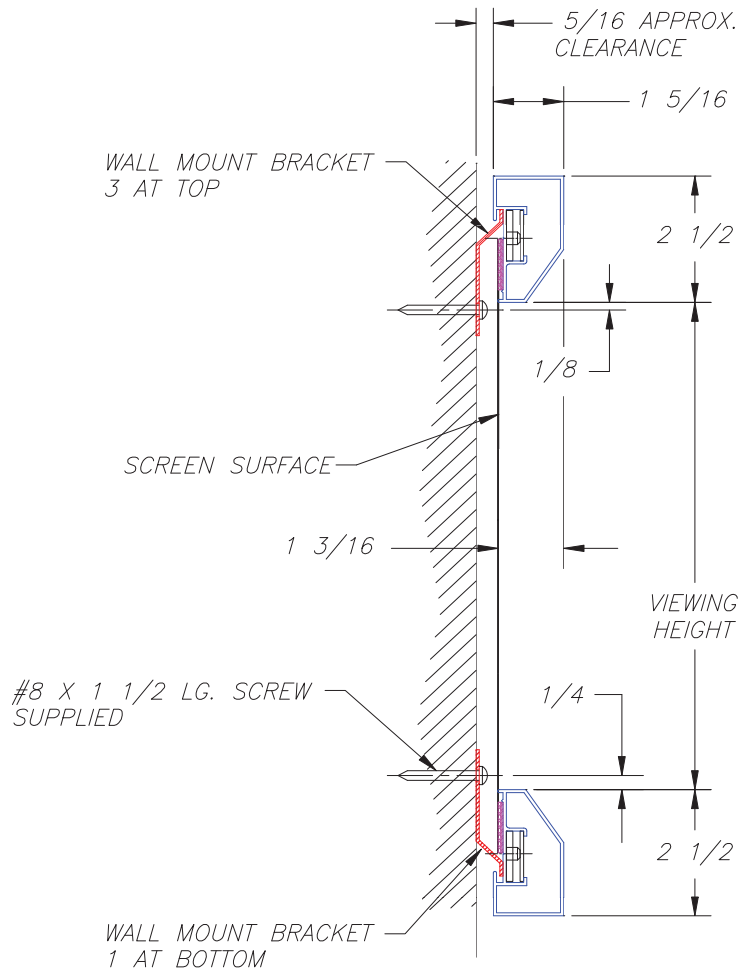


11711 W. Sample Road Coral Springs, FL 33065-3155
 T +1 (800) 770-4700 | F +1 (800) 548-5885 | T 954 545-9000 | Fax 954 545-9001
 vutec.com



VU-EASY 195"

2.35:1



Date: _____ Dealer: _____ Client or Project No: _____ Phone: _____ PO#: _____

This quotation is valid for 30 days from the date shown.

Fabric Surface: _____ Frame Finish: _____

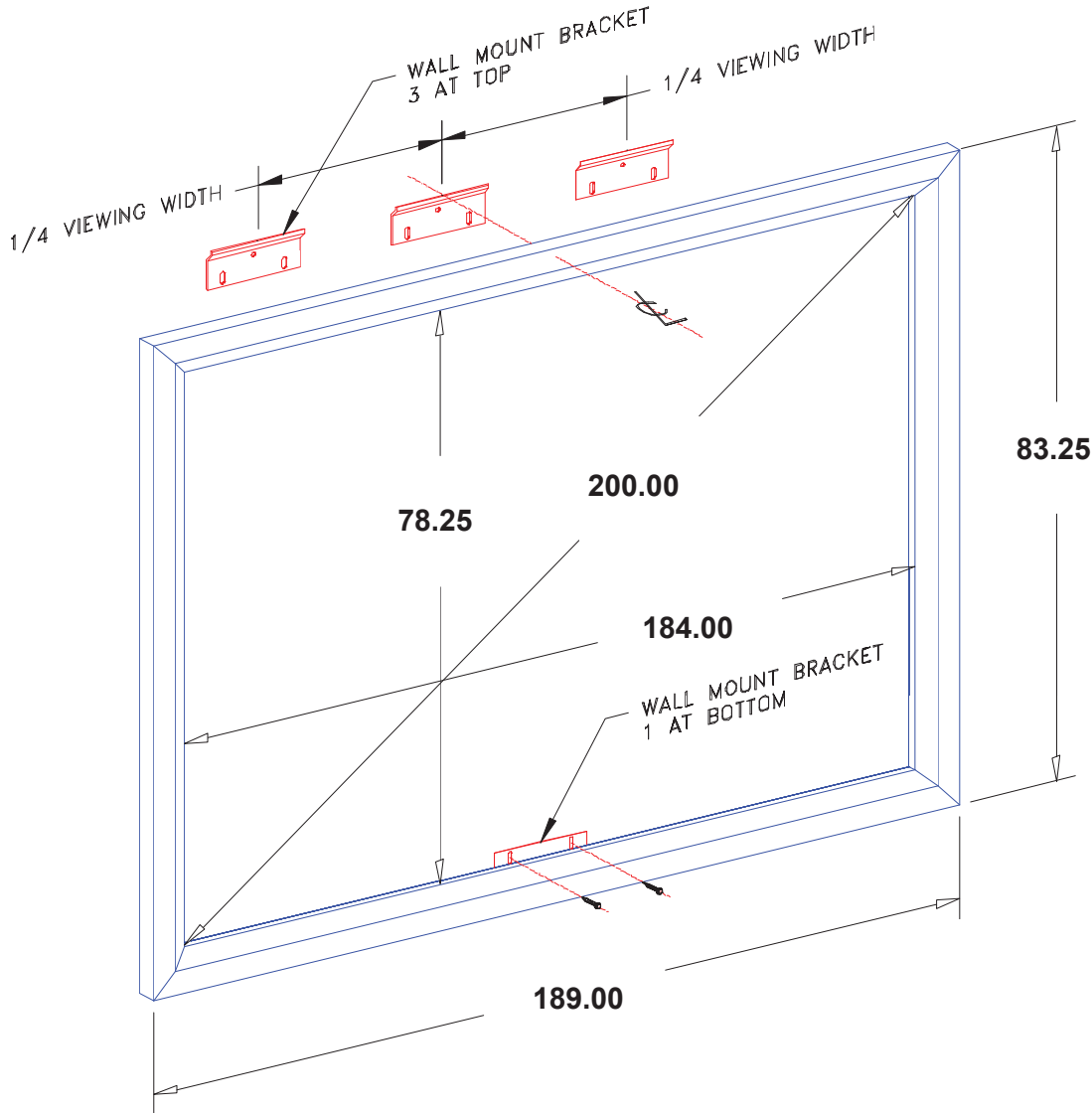
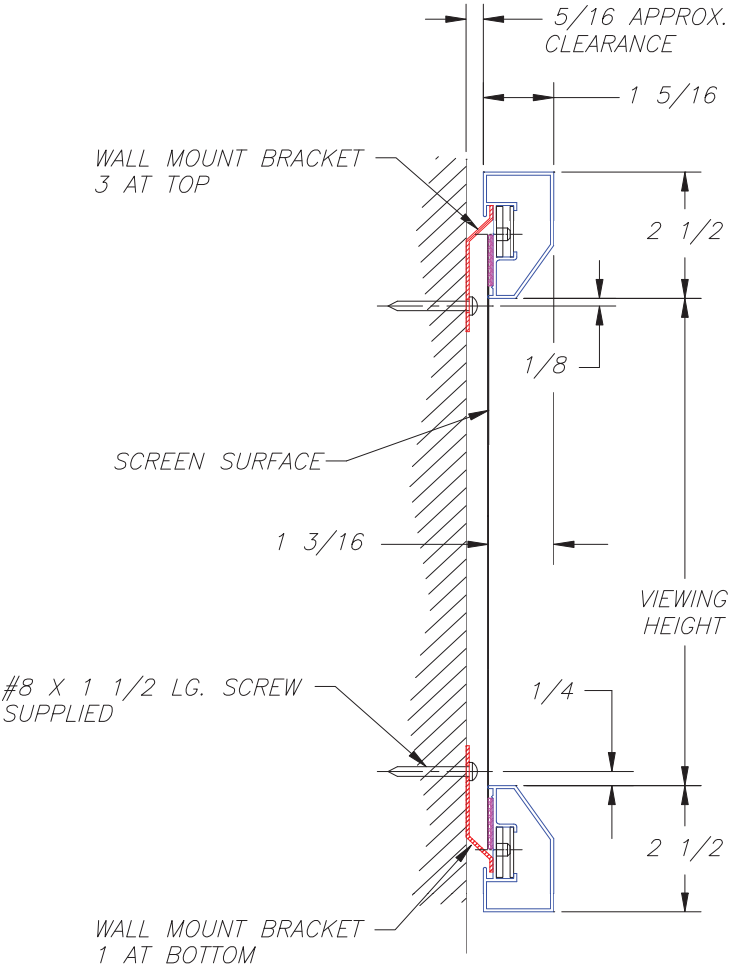


11711 W. Sample Road Coral Springs, FL 33065-3155
 T +1 (800) 770-4700 | F +1 (800) 548-5885 | T 954 545-9000 | Fax 954 545-9001
vutec.com

vuteccorporation VutecCorp vuteccorp @Vutec

VU-EASY 200"

2.35:1



Date: _____ Dealer: _____ Client or Project No: _____ Phone: _____ PO#: _____

This quotation is valid for 30 days from the date shown. Fabric Surface: _____ Frame Finish: _____



11711 W. Sample Road Coral Springs, FL 33065-3155
 T +1 (800) 770-4700 | F +1 (800) 548-5885 | T 954 545-9000 | Fax 954 545-9001
 vutec.com

