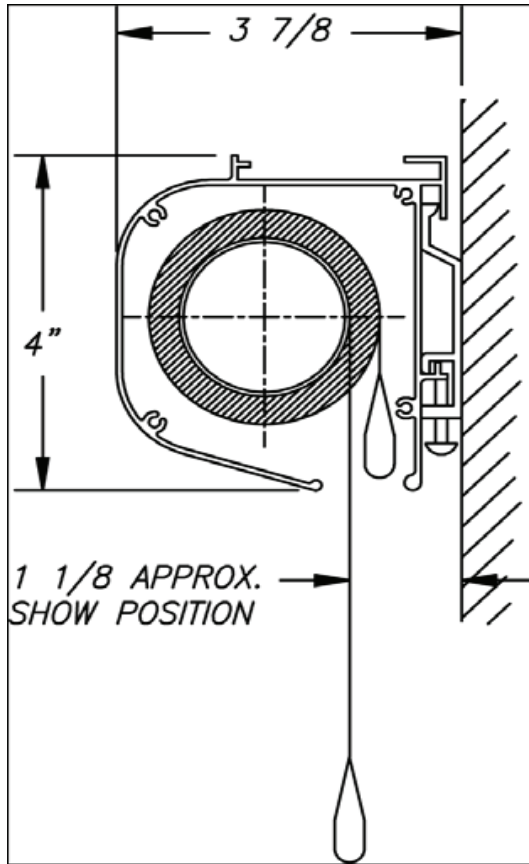
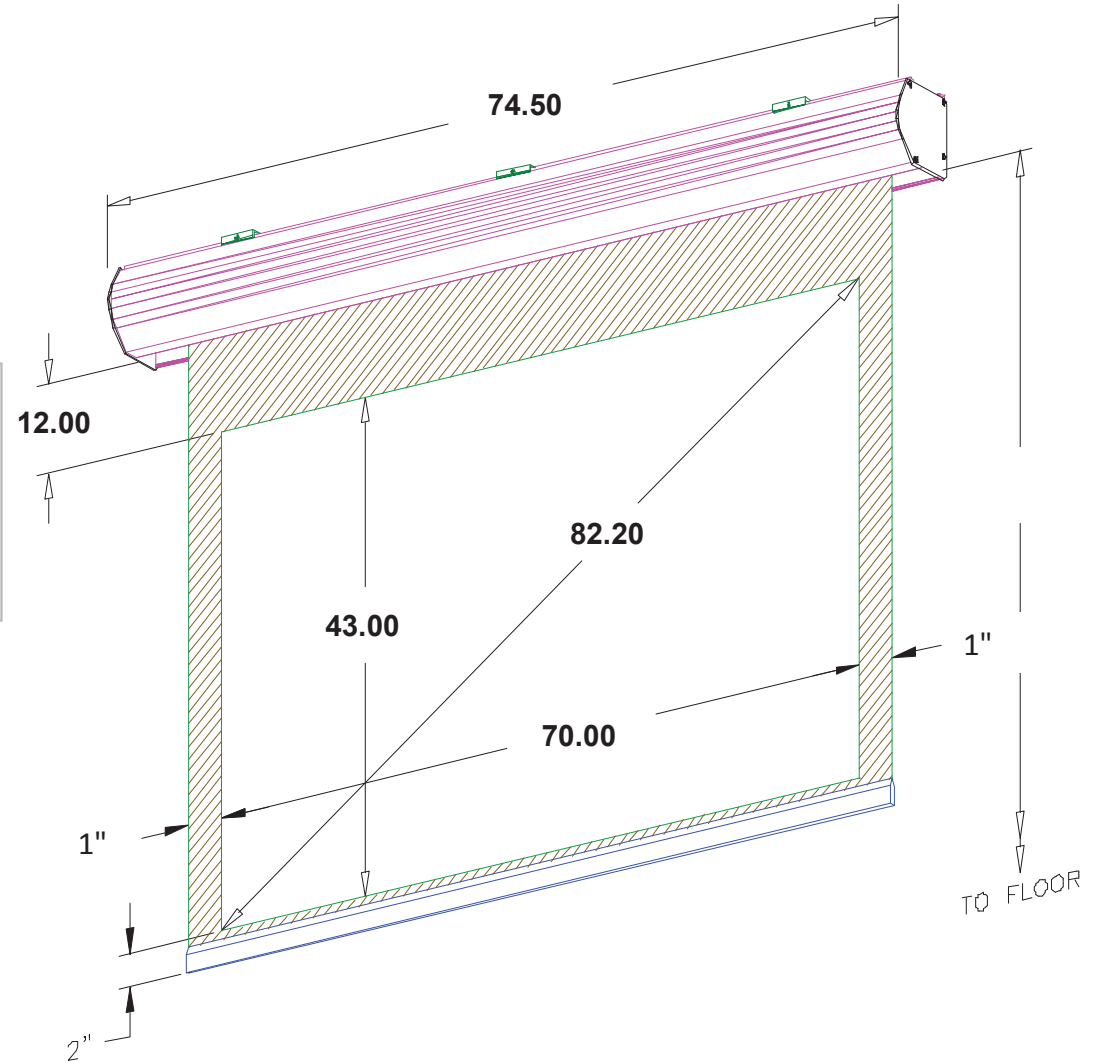


ELEGANTE MOTORIZED 83"

16:10



6" STD LEADER
CHECK WITH
VUTEC FOR ANY
ADDITIONAL
LEADER
APPROVAL



Date: _____ Dealer: _____ Client or Project No: _____ Phone: _____ PO#: _____

This quotation is valid for 30 days from the date shown.

Fabric Surface: _____ Frame Finish: _____

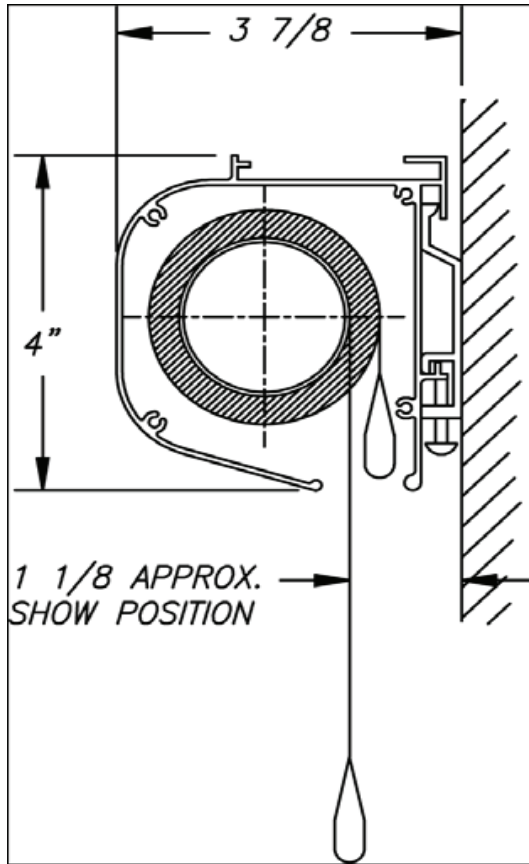


11711 W. Sample Road Coral Springs, FL 33065-3155
T +1 (800) 770-4700 | F +1 (800) 548-5885 | T 954 545-9000 | Fax 954 545-9001
vutec.com

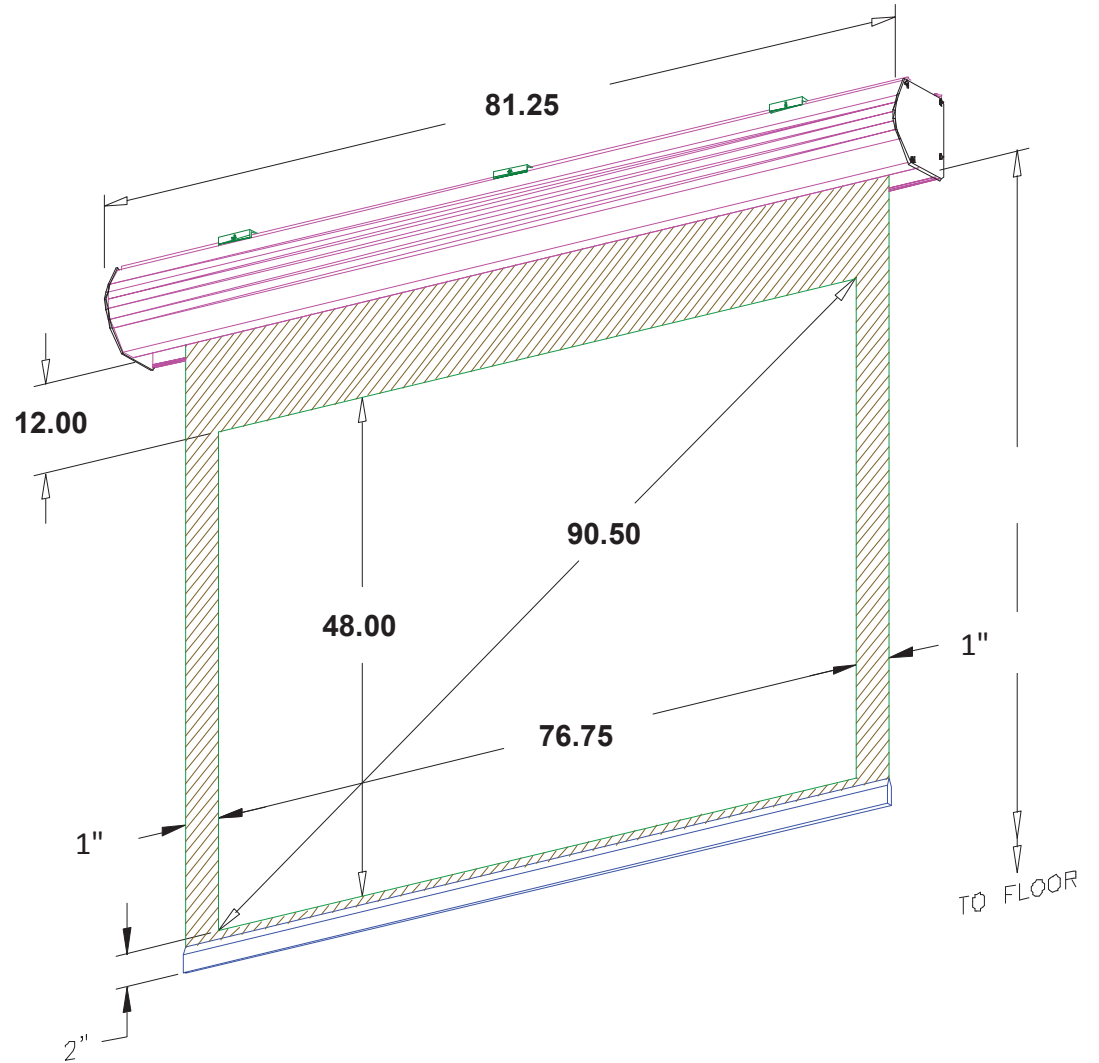


ELEGANTE MOTORIZED 91"

16:10



6" STD LEADER
CHECK WITH
VUTEC FOR ANY
ADDITIONAL
LEADER
APPROVAL



Date: _____ Dealer: _____ Client or Project No: _____ Phone: _____ PO#: _____

This quotation is valid for 30 days from the date shown.

Fabric Surface: _____ Frame Finish: _____

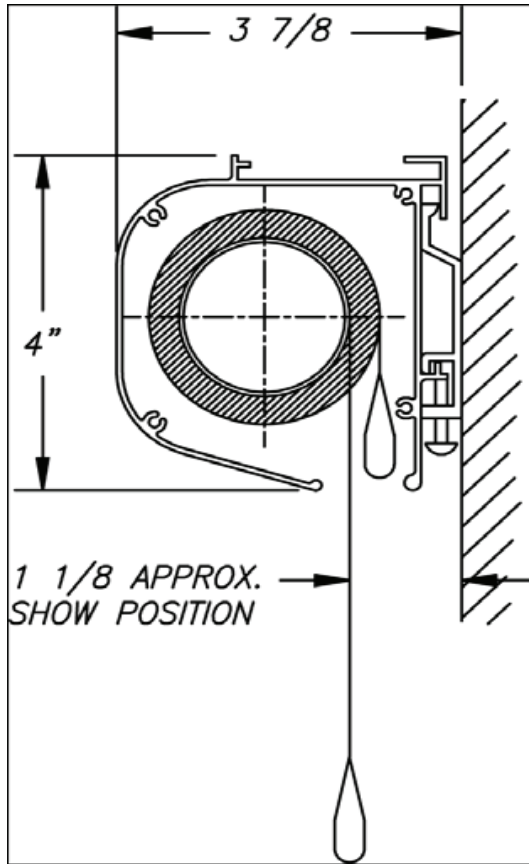


11711 W. Sample Road Coral Springs, FL 33065-3155
T +1 (800) 770-4700 | F +1 (800) 548-5885 | T 954 545-9000 | Fax 954 545-9001
vutec.com

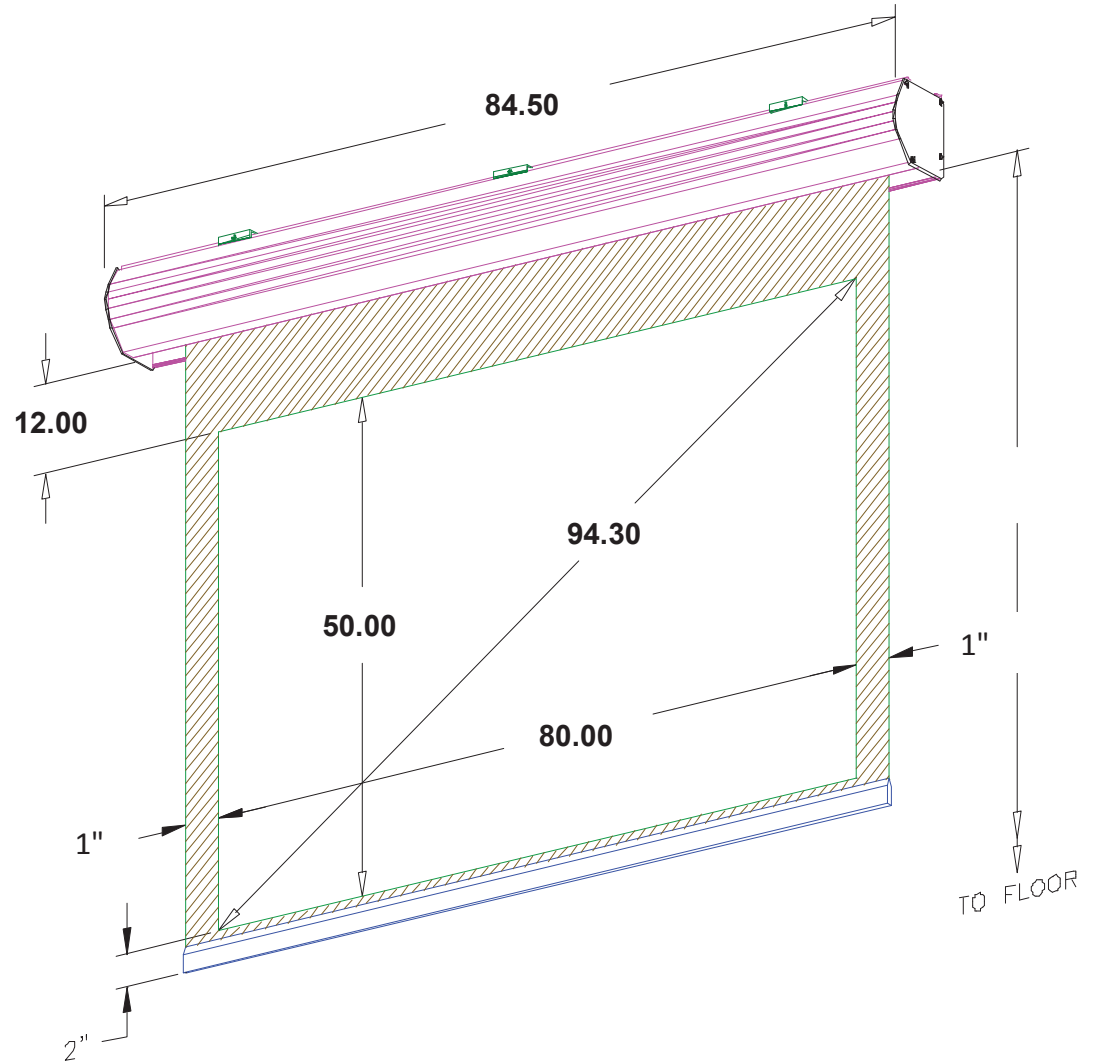


ELEGANTE MOTORIZED 94"

16:10



6" STD LEADER
 CHECK WITH
 VUTEC FOR ANY
 ADDITIONAL
 LEADER
 APPROVAL



Date: _____ Dealer: _____ Client or Project No: _____ Phone: _____ PO#: _____

This quotation is valid for 30 days from the date shown.

Fabric Surface: _____ Frame Finish: _____

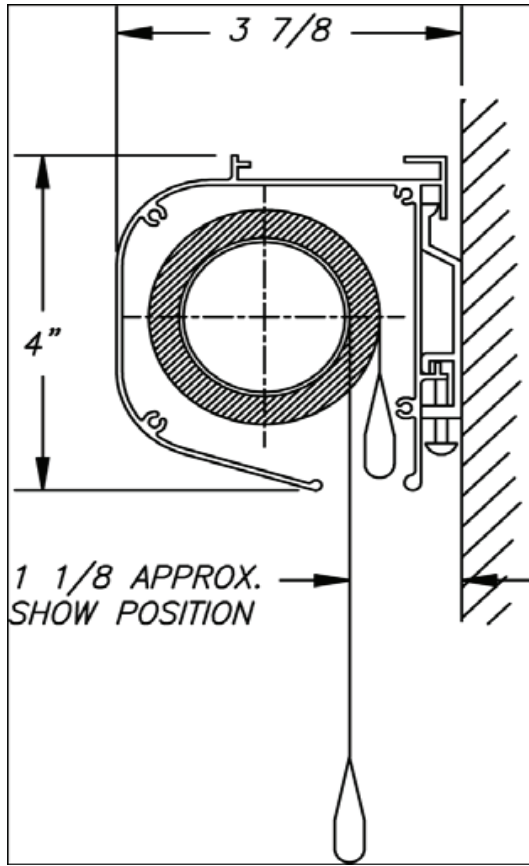


11711 W. Sample Road Coral Springs, FL 33065-3155
 T +1 (800) 770-4700 | F +1 (800) 548-5885 | T 954 545-9000 | Fax 954 545-9001
vutec.com

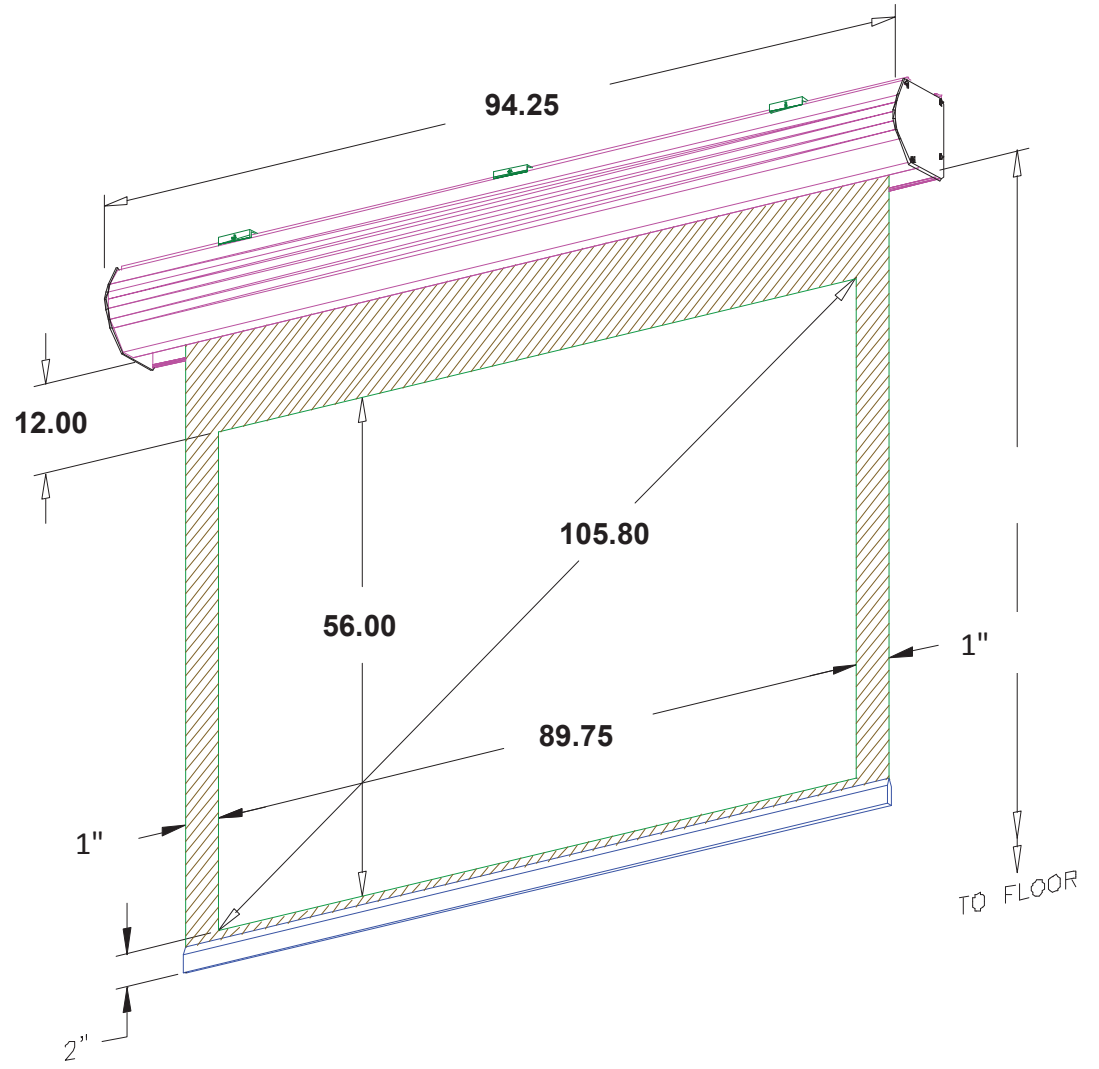


ELEGANTE MOTORIZED 106"

16:10



6" STD LEADER
 CHECK WITH
 VUTEC FOR ANY
 ADDITIONAL
 LEADER
 APPROVAL



Date: _____ Dealer: _____ Client or Project No: _____ Phone: _____ PO#: _____

This quotation is valid for 30 days from the date shown. Fabric Surface: _____ Frame Finish: _____

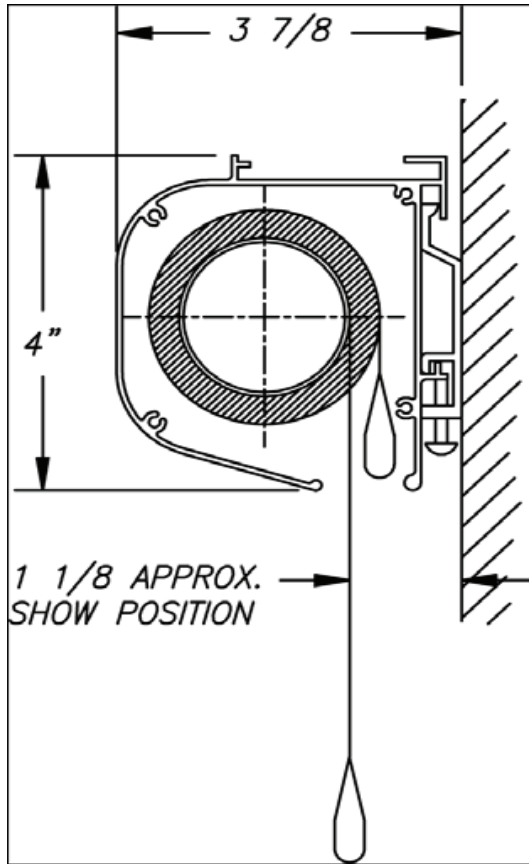


11711 W. Sample Road Coral Springs, FL 33065-3155
 T +1 (800) 770-4700 | F +1 (800) 548-5885 | T 954 545-9000 | Fax 954 545-9001
 vutec.com

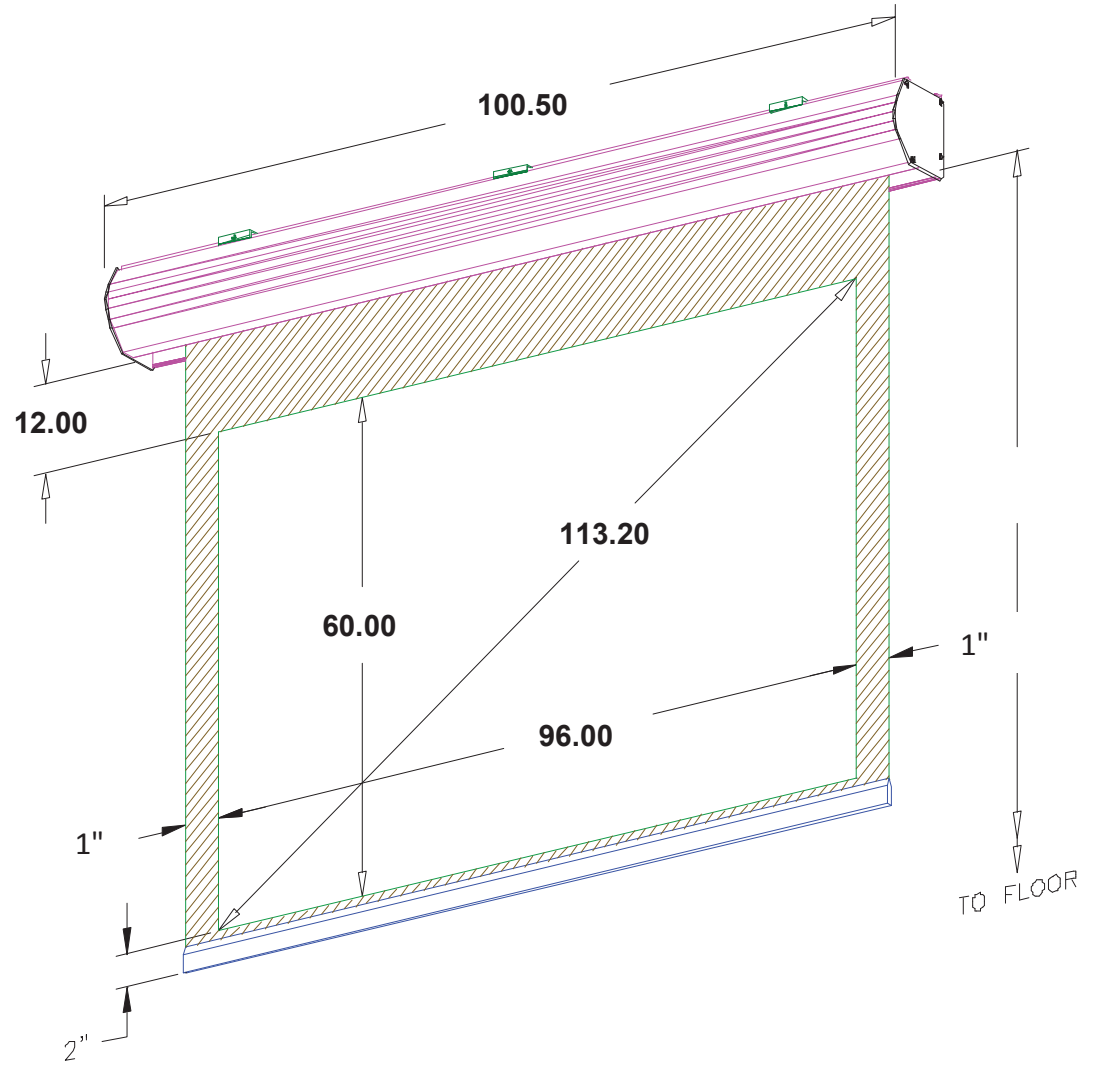


ELEGANTE MOTORIZED 113"

16:10



6" STD LEADER
CHECK WITH
VUTEC FOR ANY
ADDITIONAL
LEADER
APPROVAL



Date: _____ Dealer: _____ Client or Project No: _____ Phone: _____ PO#: _____

This quotation is valid for 30 days from the date shown.

Fabric Surface: _____ Frame Finish: _____



11711 W. Sample Road Coral Springs, FL 33065-3155
T +1 (800) 770-4700 | F +1 (800) 548-5885 | T 954 545-9000 | Fax 954 545-9001
vutec.com

